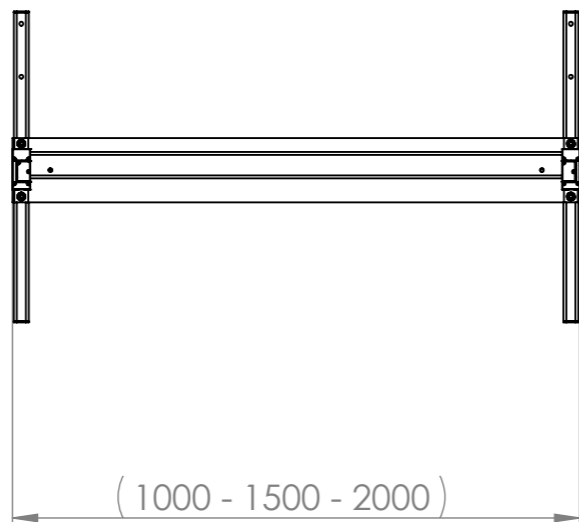
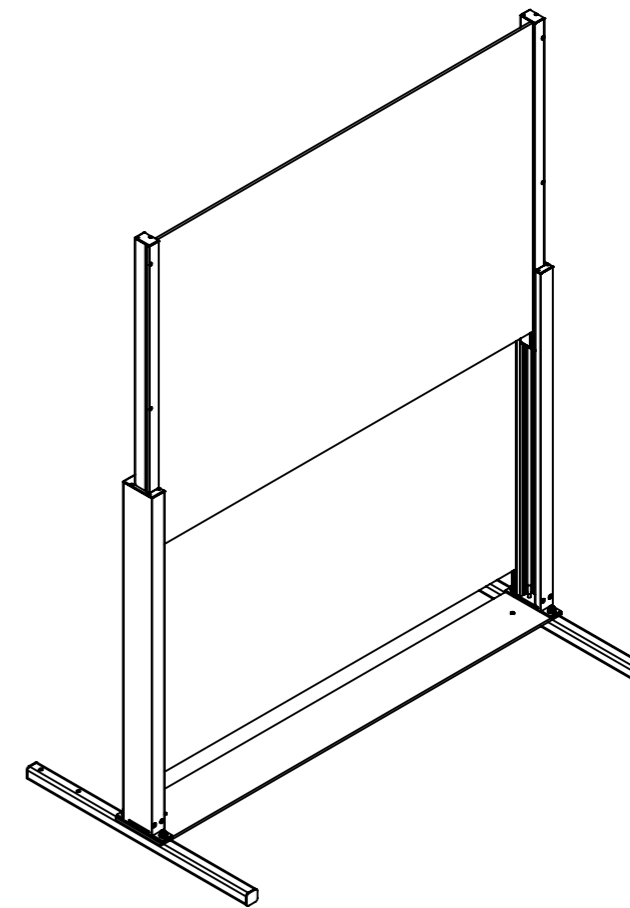
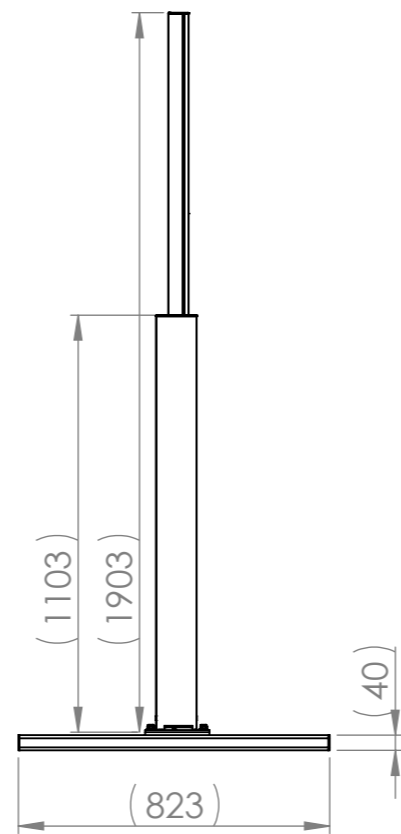
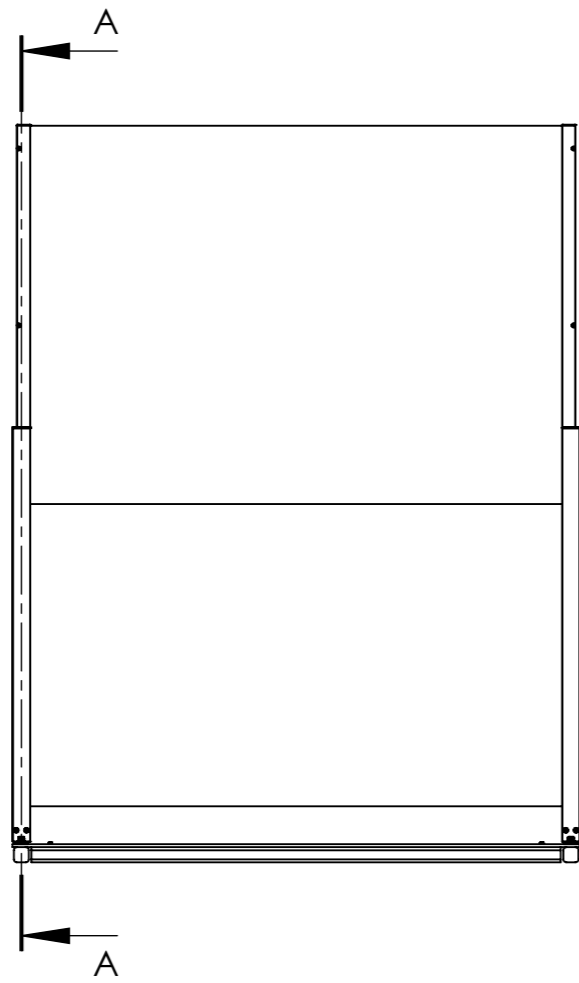
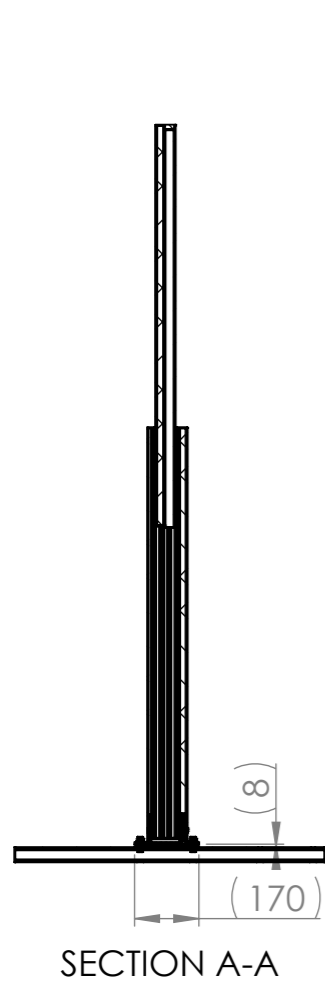
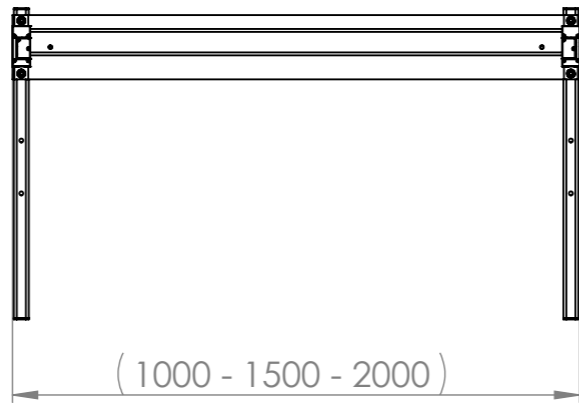
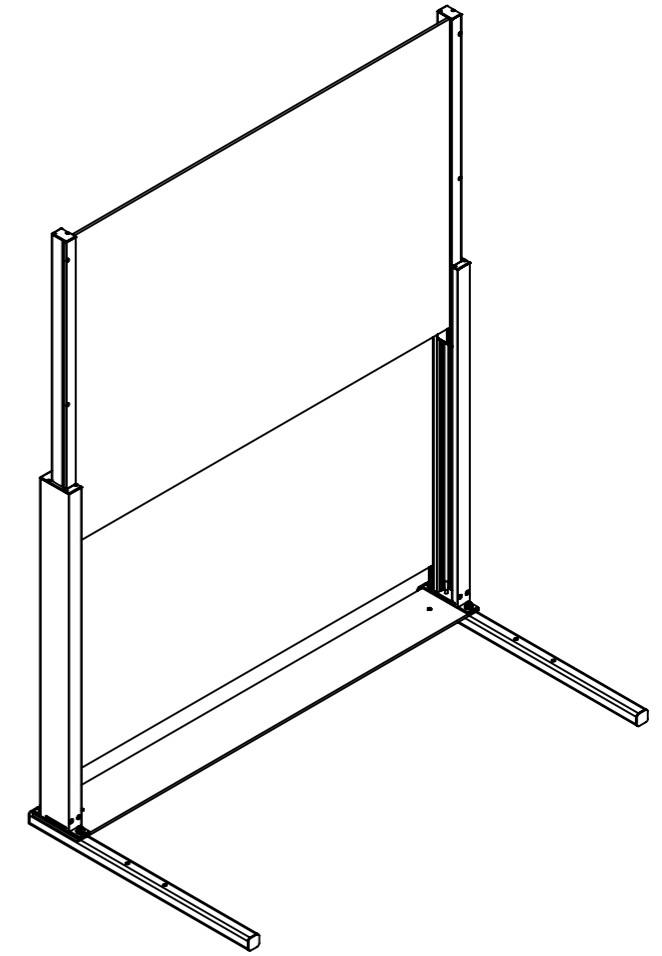
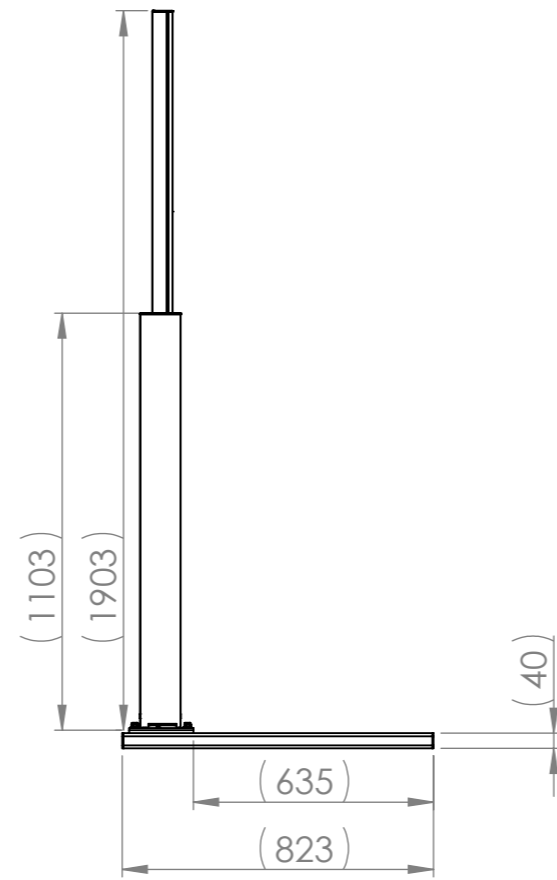
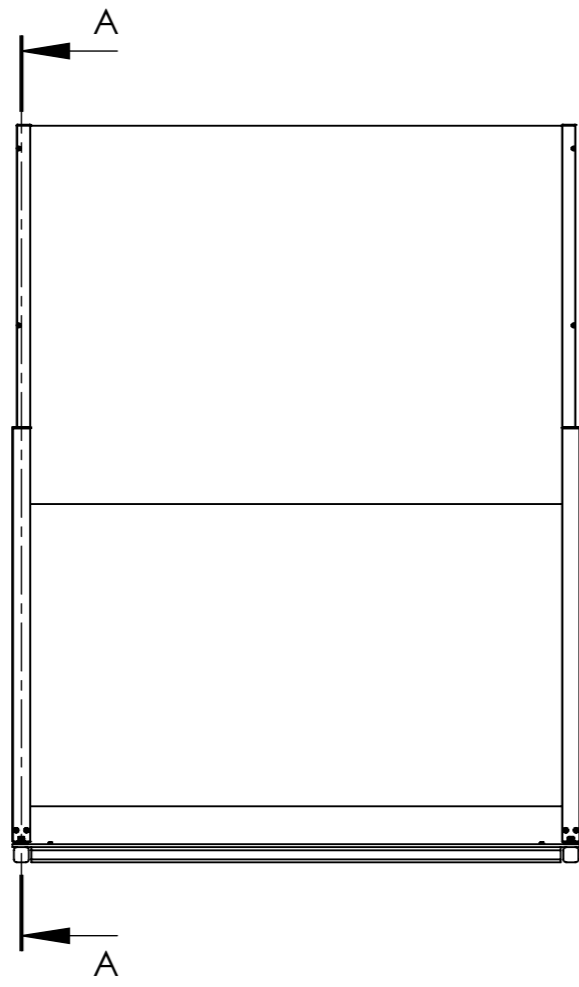
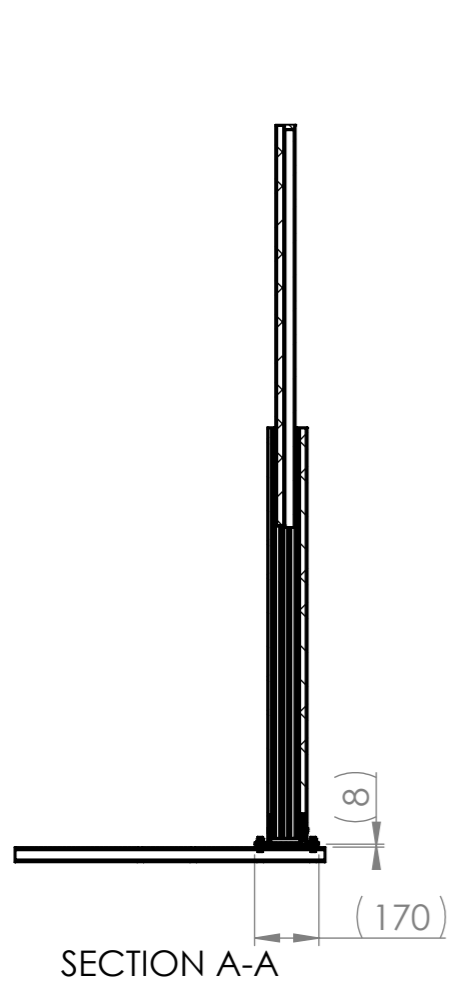


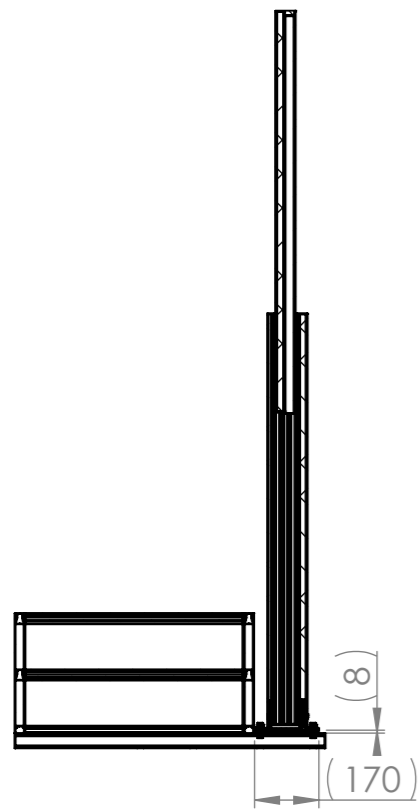
		DO NOT SCALE DRAWING	REVISION
		Viewline B.V.	
Windbreak Concrete mount		TITLE:	
		DWG NO.	A3
		SCALE:1:20	SHEET 2 OF 8



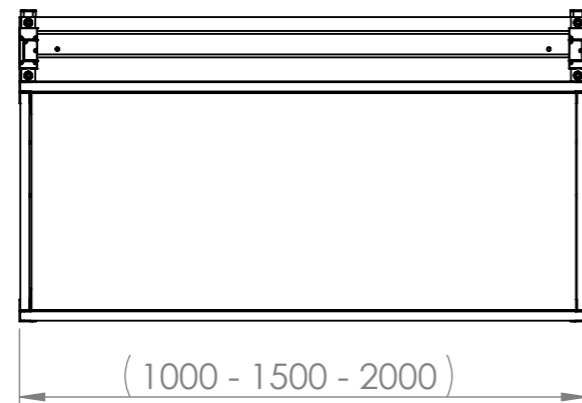
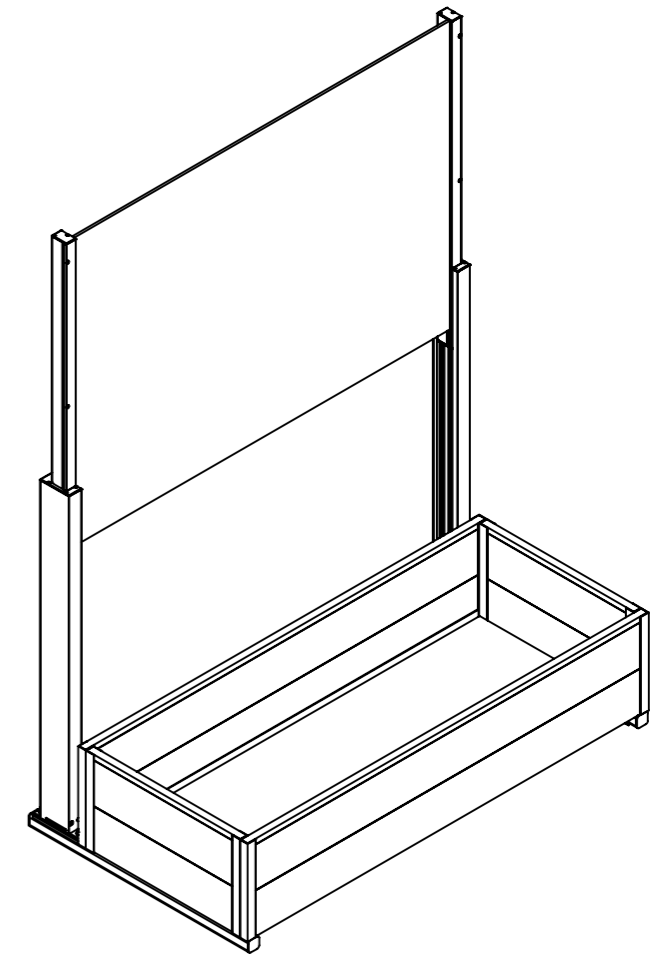
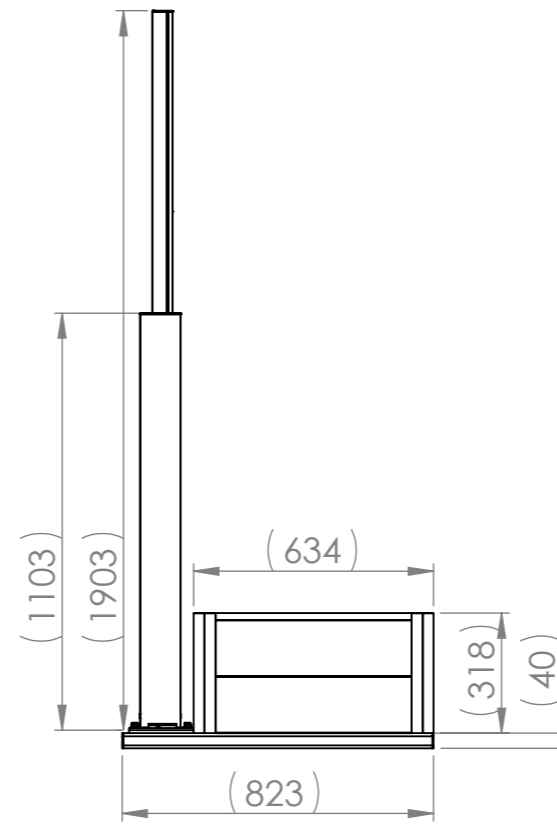
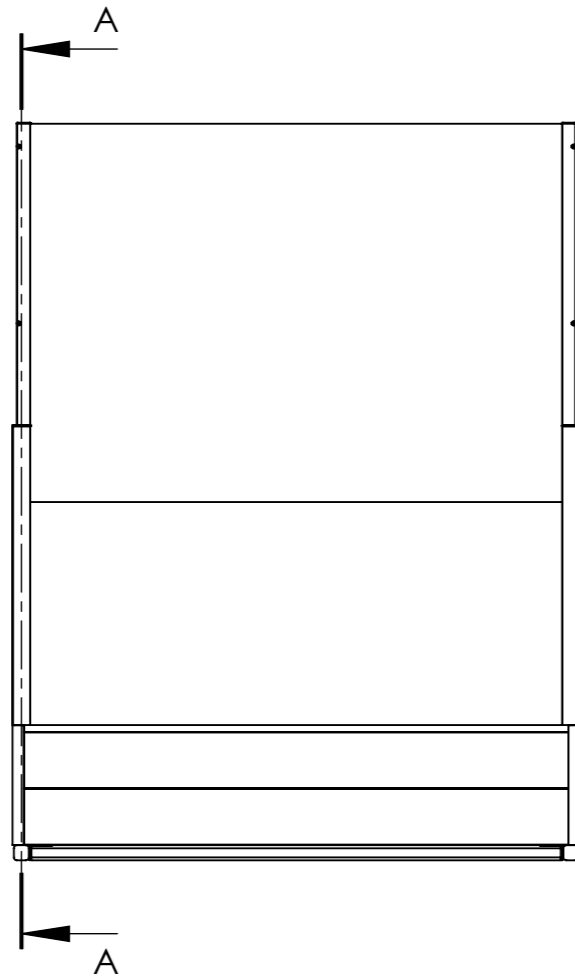
		DO NOT SCALE DRAWING	REVISION
		Viewline B.V.	
		TITLE:	
Windbreak Base without wheels Middle mounted		DWG NO.	
		SCALE:1:20	A3 SHEET 3 OF 8



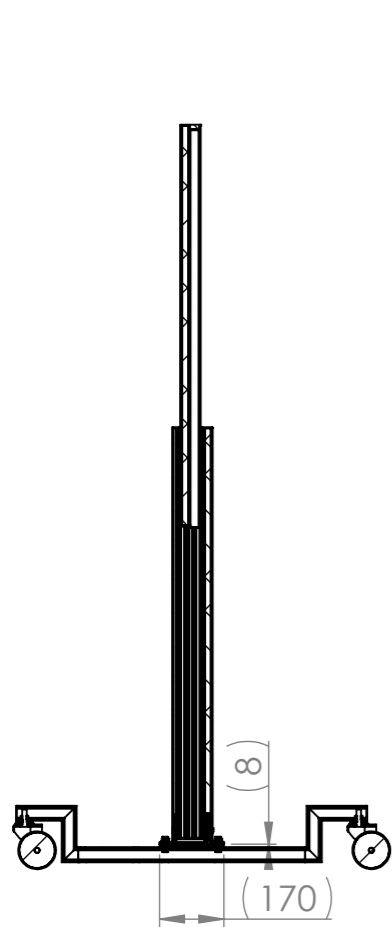
		DO NOT SCALE DRAWING	REVISION
		Viewline B.V.	
Windbreak Base without wheels Side mounted		TITLE:	
		DWG NO.	A3
		SCALE:1:20	SHEET 4 OF 8



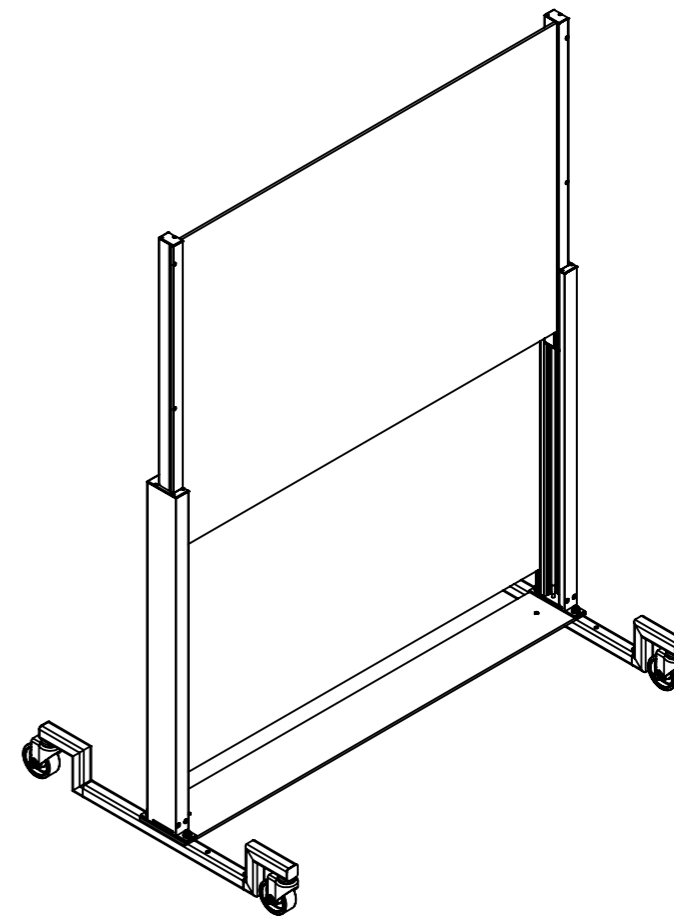
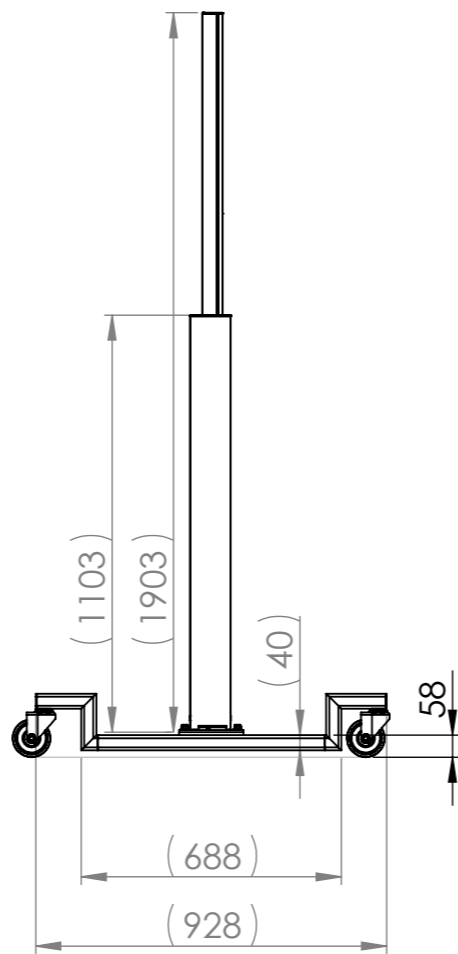
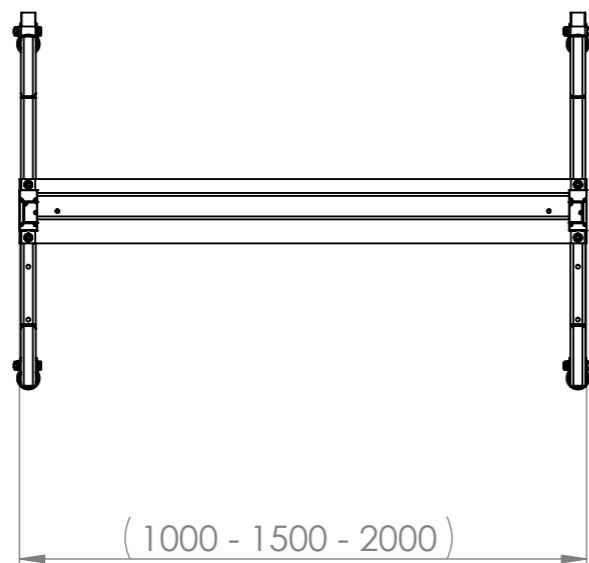
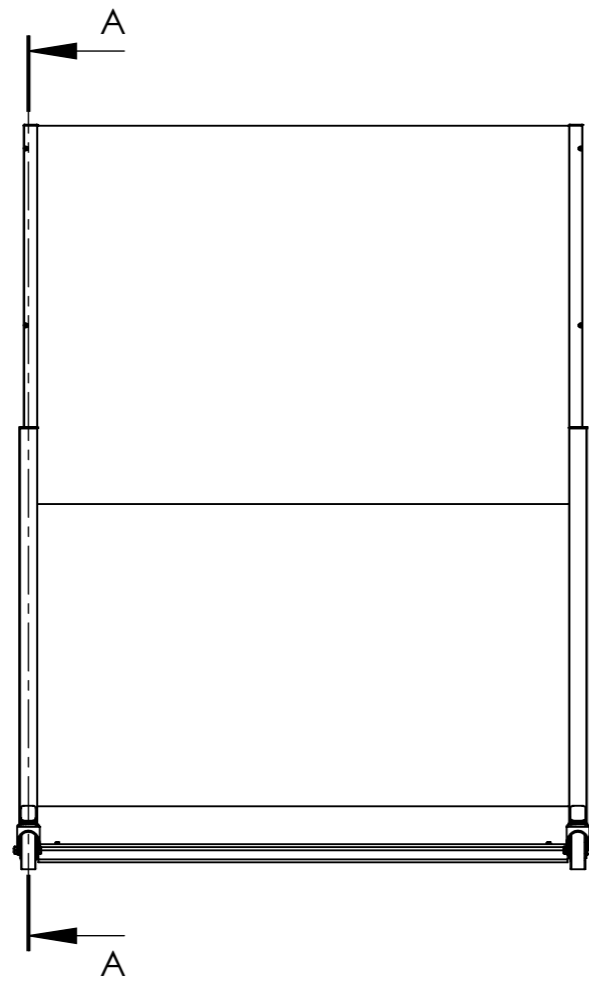
SECTION A-A



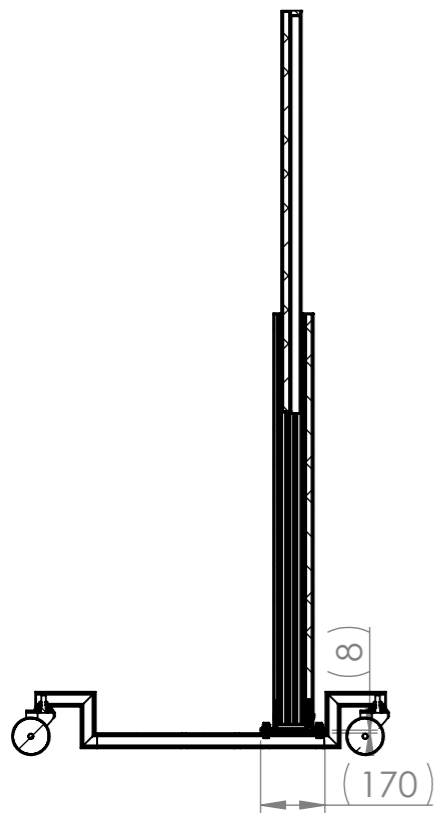
		DO NOT SCALE DRAWING	REVISION
		Viewline B.V.	
Windbreak Base without wheels Side mounted + Planter		TITLE:	
		DWG NO.	
		SCALE:1:20	A3
		SHEET 5 OF 8	



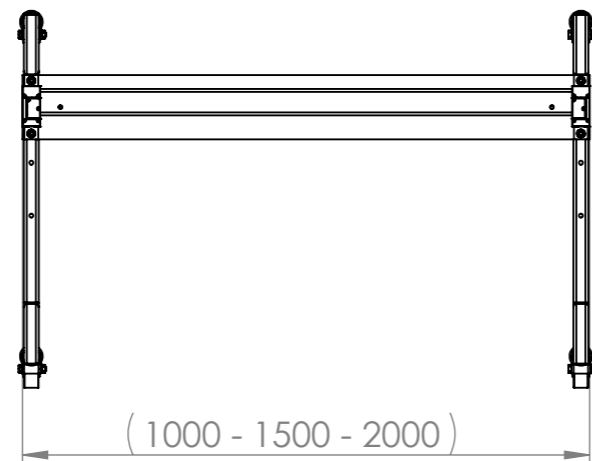
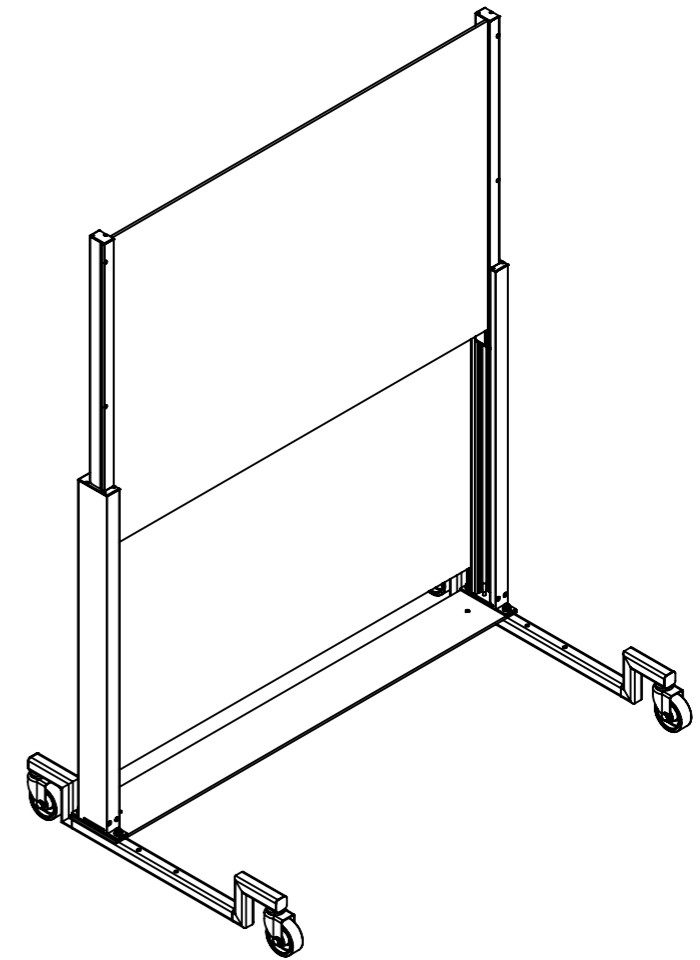
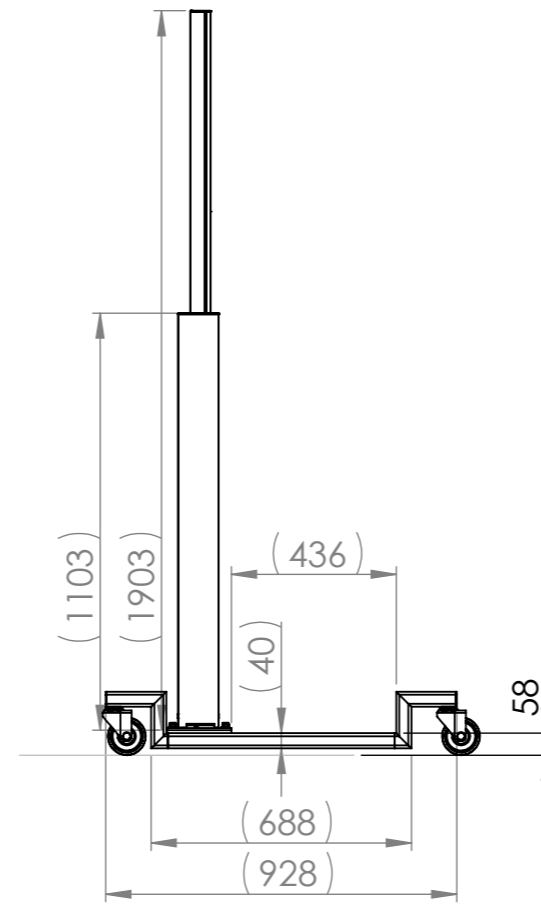
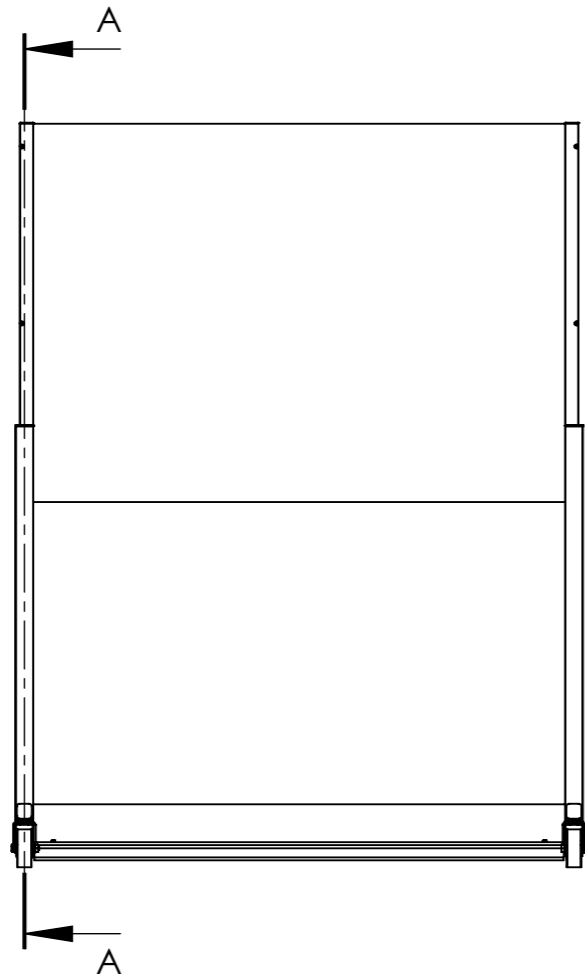
SECTION A-A



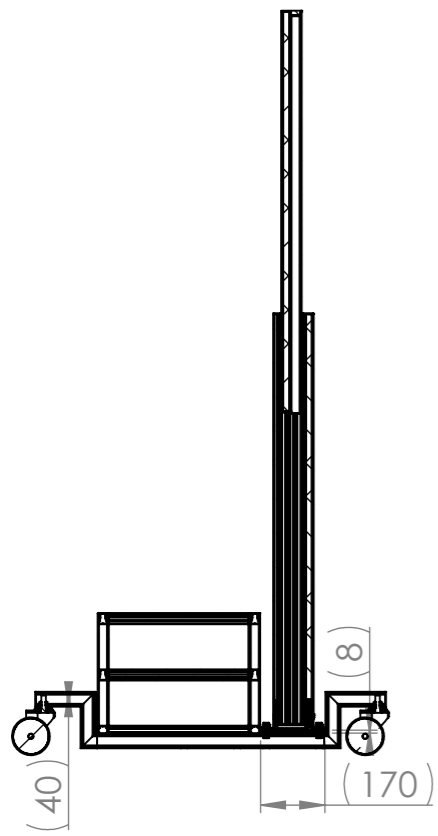
		DO NOT SCALE DRAWING	REVISION
		Viewline B.V.	
		TITLE:	
Windbreak Base with wheels Middle mounted		DWG NO.	
		SCALE:1:20	A3 SHEET 6 OF 8



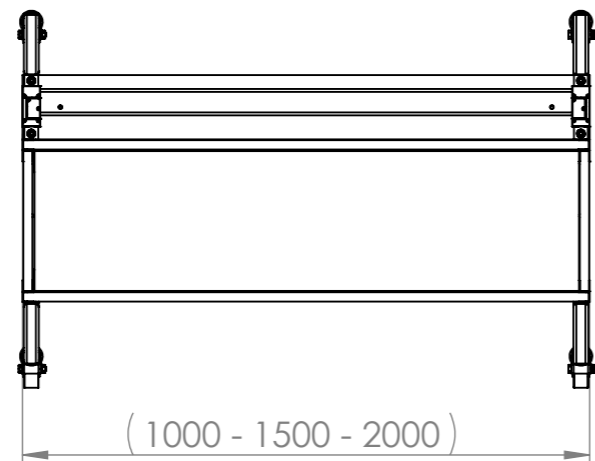
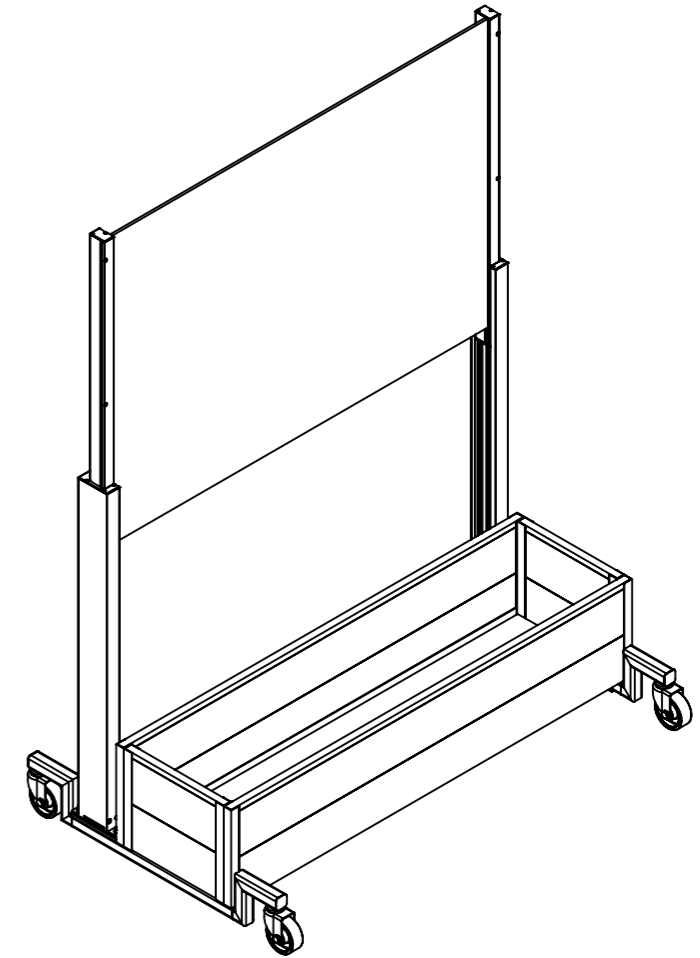
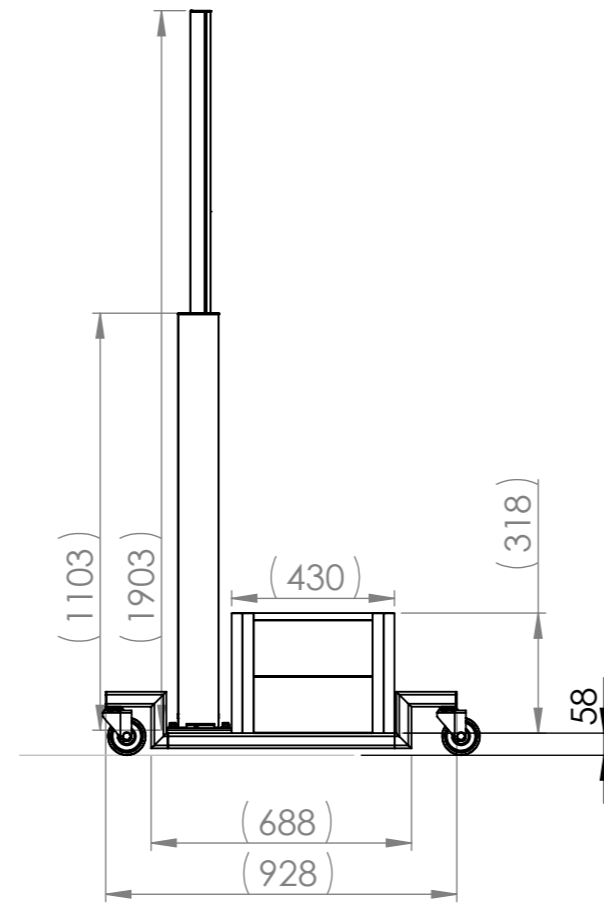
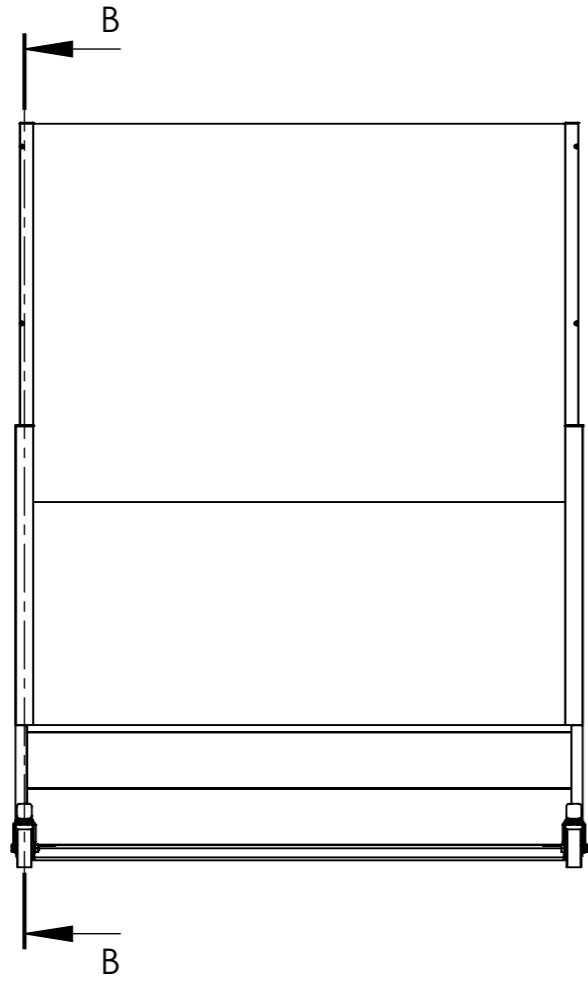
SECTION A-A



		DO NOT SCALE DRAWING	REVISION
		Viewline B.V.	
		TITLE:	
Windbreak Base with wheels Side mounted		DWG NO.	
		SCALE:1:20	A3 SHEET 7 OF 8



SECTION B-B



		DO NOT SCALE DRAWING	REVISION
		Viewline B.V.	
Windbreak Base with wheels Side mounted + Planter		TITLE:	
		DWG NO.	
		SCALE:1:20	A3
		SHEET 8 OF 8	