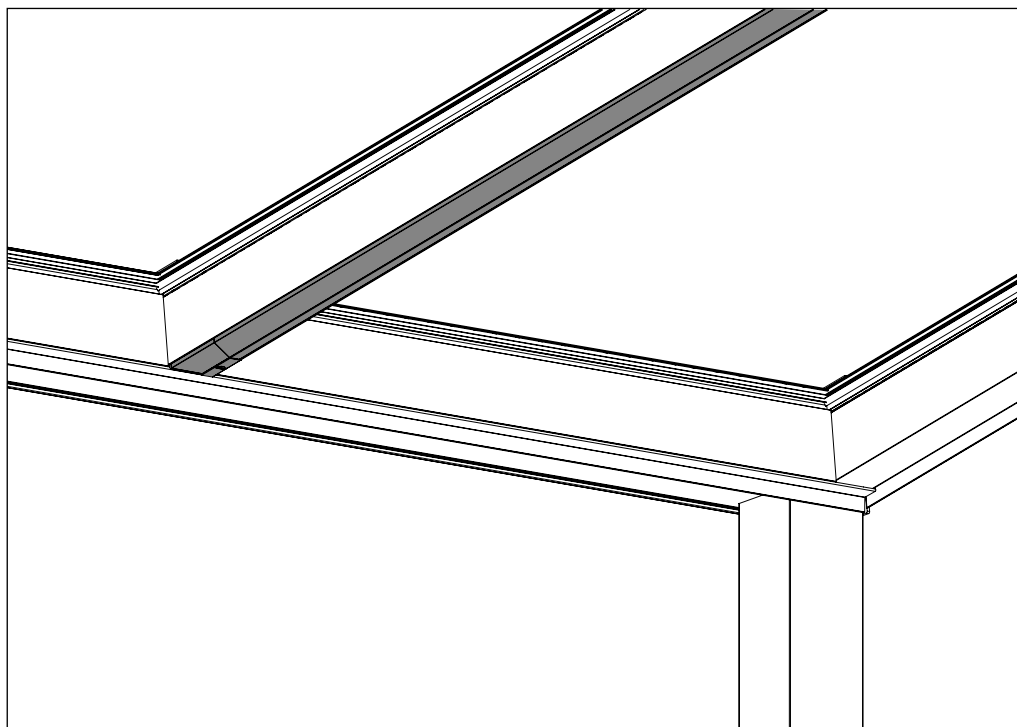


READ ME FIRST

LIGHTING SYSTEM



MOUNTING INSTRUCTIONS

MONTAGEANLEITUNG

MANUEL DE MONTAGE

MONTAGEHANDLEIDING

INSTRUKCJA MONTAŻU



DOC-3216-1

INDEX

INHALTSVERZEICHNIS

TABLE DES MATIÈRES

INHOUDSOPGAVE

SPIS TREŚCI

SAFETY INSTRUCTINOS	1
SICHERHEITSHINWEIZE	5
INSTRUCTIONS DE SÉCURITÉ	9
VEILIGHEIDSVOORSCHRIFTEN	13
INSTRUKCJA BEZPIECZEŃSTWA	17
TOOLS WERKZEUGE MATERIEL NECESSAIRE GEREEDSCHAP NARZĘDZIA	22
PARTS BAUTEILE ELEMENTS ONDERDELEN CZĘŚCI	23
ASSEMBLY MONTAGE MONTAGE MONTAGE MONTAŻ	25
CONNECT TO SMART BRIDGE OR REMOTE VERLINKEN MIT SMART BRIDGE ODER FERNBEDIENUNG POUR LIER AVEC SMART BRIDGE OU LA TÉLÉCOMMANDE KOPPELEN MET SMART BRIDGE OF AFSTANDBEDIENING POŁĄCZ SIĘ Z SMART BRIDGE LUB PILOTEM	46
USE OF REMOTE CONTROL VERWENDUNG DER FERNBEDIENUNG UTILISATION DE LA TÉLÉCOMMANDE GEBRUIK VAN DE AFSTANDBEDIENING KORZYSTANIE Z PILOTA	51
RESET REMOTE CONTROL ZURÜCKSETZEN DER FERNBEDIENUNG RÉINITIALISER LA TÉLÉCOMMANDE RESETTEN AFSTANDBEDIENING RESETOJ PILOT	57
COMPLETE RESET LIGHTING SYSTEM KOMPLETT ZURÜCKSETZEN LIGHTING SYSTEM RÉINITIALISER COMPLÈTE DE LIGHTING SYSTEM VOLLEDIGE RESET LIGHTING SYSTEM CAŁKOWITY RESET LIGHTING SYSTEM	60
SHORTEN LIGHTING SYSTEM VERKÜRZEN LIGHTING SYSTEM RACCOURCIR LIGHTING SYSTEM INKORTEN LIGHTING SYSTEM SKRACAĆ LIGHTING SYSTEM	62
TECHNICAL SPECIFICATIONS GUMAX LIGHTING SYSTEM CONFIGURATIONS TECHNISCHE DATEN GUMAX LIGHTING SYSTEM KONFIGURATIONEN SPÉCIFICATIONS TECHNIQUES CONFIGURATIONS DU GUMAX LIGHTING SYSTEM TECHNISCHE SPECIFICATIES GUMAX LIGHTING SYSTEM CONFIGURATIES SPECYFIKACJE TECHNICZNE GUMAX LIGHTING SYSTEM KONFIGURACJE	84



TIP: visit our Gumax® Youtube channel for installation video's

SAFETY INSTRUCTIONS



General

Always read this manual in full before installing or using the Gumax Lighting System (hereinafter also referred to as the 'Product'). You must follow the instructions in this manual at all times. Failure to follow instructions correctly may result in damage to property or personal injury. In addition, failure to follow instructions will void the warranty.

Store this manual carefully so that you or another user can always use it. If the Product is sold or passed on to third parties, you must provide the safety instructions.

If you have any questions that are not answered in this assembly instruction manual, please contact your salesperson. Do you not have the required experience to install or assemble the Product? Then hire a professional.

Pictures in this transport and assembly manual are for a general basic understanding and may differ from the actual version of the Product.

This manual is protected by copyright and is intended solely for the use of the Product.

Keep the unassembled Product and parts out of the reach of children at all times.

Intended use

The Product is a LED lighting system intended to be mounted under intermediate beams for a Gumax veranda. When used for other applications, this is the responsibility of the user and at their own risk. In that case, Gumax cannot guarantee that the Product is suitable for the intended use and is therefore not liable for damage. The Product is used with a supplied remote control and is suitable for common smart home systems.

This product is specifically designed and developed for domestic use only under normal conditions of use.

Transport

Secure the product during transport in such a way that it cannot be damaged.

Transport and store the product in the original packaging in a safe and dry place at all times.

Means of transport must be suitable for the weight of the transport units and must be permitted for transport.

Inspection

Check the contents beforehand for contents and damage and place the parts clearly.

Before mounting a part, check that it is free of defects and test the Product. If you find a (possible) defect, take photos of it and contact your supplier.

Immediately discontinue use or installation if a possible defect is detected. If you nevertheless install and/or use the product, Gumax is not liable for any consequences.

Installation

Always switch off the power at the location where you are going to work before starting the installation of the product. The installation couplers are intended for connection and disconnection without load, only.

In some countries, electrical installations may only be carried out by a qualified electrician. If this applies, you must comply with these regulations.

Make sure that there is a safe environment during installation. Ensure that all measures have been taken for safe operation before installation is started and that there are no persons nearby who are not involved in the installation. Always use the specified bolt and screw connections.

When assembling, make sure that there is sufficient distance between the product and any obstacles such as: walls, fences, trees, washing lines, etc. Obstacles must be at least 200 cm from the structure. There should be no hard or sharp objects within the 200 cm safety zone. The surface must be flat!!

The product must not be (dis)assembled in any other way than as stated in this manual. If a component is damaged, the product must not be used.

Work safely. Always follow the safety instructions of the tools you use.

The Product has an output of 60W per luminaire/driver. While connecting, do make sure that the relevant power circuit group is not overloaded. When in doubt, call an expert. In any case, do not connect more than 11 luminaires to one supplied power cable (230V).

The product must be connected to an earthed socket.

Secure the cables with the appropriate fasteners. Ensure that cables are not damaged at all times. Use the supplied fasteners to fasten the luminaire.

Do not use staplers, nails or any similar items to attach this product or its wires as this may damage the insulation.

Pay attention to antistatic during installation and use of the product. Do not touch the product with sharp tools.

Always refer to the user instructions for the supplied products and act in accordance with these user instructions.

Only use the supplied parts. Use of other items such as an extension cord may damage the Product or result in hazardous situations. Dangerous compatibility between different manufacturer installation coupler systems is not automatically prevented by compliance with IEC 61535.

The installation coupler systems are not replacements for the national domestic plug and socket outlet system.

As an IP20 plug is ordinarily used indoors, make sure to connect the plug to a socket outlet which is situated indoors or a socket outlet which is situated in indoor conditions. In case you don't have the required experience to install the Product, hire a professional.

Use

Keep batteries and small parts out of the reach of children. This Product is not designed or intended as a toy for children.

Avoid exposure of the product to open flames or liquids.

Do not cover the luminaire, sufficient ventilation is necessary for correct use. Covering/enclosing can cause overheating. This has a negative impact on the service life of the Product and can lead to damage.

All Product packaging material must be removed from the Product before use.

The product should only be stored or switched on at temperatures (even under the veranda) between -20°C and 45°C. If the product is switched on at temperatures that deviate from this, correct operation of the system can be affected and this can also have a negative effect on the service life of the product or lead to damage.

The electrical installation in which the product is used must be connected to a network with a nominal voltage between 220-240 volts.

In extreme (weather) conditions (including strong wind, heavy snowfall, large hailstones, earthquakes) extra caution and precautions are required. Take protective measures beforehand and make sure that you (or anyone else) do not use the product during extreme (weather) conditions. If you notice a (possible) defect, observe safety measures. Make sure that no one is under or near the defective products and call in an expert.

Under no circumstances may the LED strip be folded or rotated. The minimum bending radius of the LED strip is 50mm and does not exert any force on the Product.

Don't pull cables. This can cause cable breakage and/or short circuit.

Never look directly into the LED lamps. This could damage the eyes.

If it is potentially the case that safe use is no longer possible, deactivate the Product and secure it against unintentional use.

Assume that safe use is no longer possible if:

- the Product shows any visible damage or deviations
- the Product does not work properly or no longer works properly
- the Product has been stored under unsuitable conditions for a longer period of time
- the Product has been subject to heavy transport loads

Use our power adapter, controller or dimmer, the power of the light strip cannot exceed the maximum power of the adapter, controller or dimmer.

The Product generates heat, so use it in an environment with cross ventilation for heat dissipation.

Do not attach any additional objects such as ropes or chains to the product. Only use the product for its intended purpose.

For use with smart home/domotics systems

The product is basically suitable for common smart home systems. To do this, you must have a suitable 'bridge' or connection hub.

If you connect the Product to your smart home system, Gumax is not responsible or liable for the operation or security of this system, the (network) connection and its hardware and software components. Gumax has no control over and is neither responsible nor liable for these third-party devices and services, their correct configuration and compatibility with the Product, the traffic between the Product and third-party products and services and the related costs. Gumax is not liable for damage to your smart home system, its components, your network or for security breaches by third parties.

Make sure you always update the software and firmware of all parts of your smart home system (such as bridge/hub, devices, smart home products) to the latest version, in order to keep the security optimal. The Product itself cannot be updated. Always choose the most secure (router) settings. Use strong passwords and change them regularly. We recommend that you enable automatic updates via the settings of the relevant component. Gumax strongly recommends that you only download apps from the official app stores for iOS and Android.

If multiple devices in your environment use the same or a different radio frequency, this may have a negative effect on the operation of the Product, such as connection problems. Different environmental factors and the location of the Product may affect the range of the wireless connection. Gumax is not liable for this, because this is not a shortcoming of the Product. If, despite your efforts, you continue to experience problems when using the Product within your smart home system, use the Product using the supplied remote control.

Maintenance and cleaning

Regularly check the Product, at least annually, for tightness of the Product and for defects that may interfere with the safe use of the Product. If any part is damaged, the Product must not be used.

When carrying out maintenance or cleaning work, pay attention to sharp edges and protruding parts. Use hand protection if necessary.

Do not rinse or spray the products with water. This may cause a short circuit. Use a slightly damp cloth to clean the products. Do not use any abrasive cleaning materials.

When the life cycle of the light source has expired, the entire luminaire must be replaced.

The cable attached to the luminaire cannot be replaced. If this cable is damaged, the entire luminaire must be replaced.

Disposal

The Product contains parts that may not be deposited with the regular waste. If you no longer use the Product, take the Product to a suitable collection point for electrical appliances.

After use, take batteries to a suitable collection point for empty batteries.

Warranty and liability

Making changes to Gumax products outside of Gumax will in all cases void Gumax's liability. In that case, your warranty will also lapse. Changes refer to the following: anything other than the operations mentioned in the installation manual.

Do not attempt to repair the Product independently. Incorrectly performed repairs can cause dangerous situations and lead to the warranty and liability being null and void.

When using parts that are not from Gumax in combination with the Product, the warranty on the Product will lapse.

Gumax cannot be held liable for damage caused your property's electricity grid.

There may be small differences between the colour of the light of different luminaires. This does not count as a shortcoming of the Product.

Gumax is not liable for consequential damage, damage to objects or persons as a result of not following the safety instructions and/or improper use or as a result of wear and tear. Product design, composition and specifications are subject to change without notice.

All logos and trade names used are registered trademarks of their respective owners and are hereby recognised as such.

The Product is suitable for common smart home systems. To do this, you must have a suitable 'bridge' or connection hub. However, Gumax cannot guarantee that the Product will work or continue to work within any smart home system, because Gumax has no influence on the product and/or policies of third parties. Gumax is also not liable for any security breaches as a result of connecting the Product to a smart home system or other network. If you experience problems when using the Product within your smart home system, use the Product with the supplied remote control.

Use of the Product as part of your smart home system relies on external factors such as radio frequency, hardware, software, third-party updates, a wireless and interactive connection and a network connection. Due to these external factors, among others, Gumax cannot guarantee seamless operation of the Product within a smart home system. If your Product does not work (optimally) with your smart home system, this does not count as a shortcoming of the Product. In this case, operate the product using the supplied remote control.

All data and instructions in this manual have been compiled in compliance with the applicable standards and regulations, based on state-of-the-art technology and our many years of insights and experience. The manufacturer is not liable for damage caused by the following: not following the manual, unintended use, not observing the recognised technical regulations, unauthorised modification, technical changes to the product.

The requirements specified in the terms of delivery, the company terms and conditions, the manufacturer's terms of delivery, and the legal provisions in force at the time that the contract is agreed upon, are applicable/valid.

DE

SICHERHEITSHINWEISE



Allgemeines

Lesen Sie dieses Handbuch immer vollständig durch, bevor Sie das Gumax-Beleuchtungssystem (im Folgenden auch als 'Produkt' bezeichnet) montieren oder benutzen. Sie müssen die Anweisungen in diesem Handbuch stets befolgen. Wenn Sie die Anweisungen nicht korrekt befolgen, kann dies zu Sach- oder Personenschäden führen. Außerdem führt die Nichtbeachtung der Anweisungen dazu, dass die Garantie erlischt.

Bewahren Sie dieses Handbuch sorgfältig auf, damit Sie oder ein anderer Benutzer es jederzeit zur Hand haben. Wenn das Produkt verkauft oder an Dritte weitergegeben wird, müssen Sie die Sicherheitshinweise weitergeben.

Wenn Sie Fragen haben, die in dieser Montageanleitung nicht beantwortet werden, wenden Sie sich bitte an Ihren Verkäufer. Verfügen Sie nicht über die nötige Erfahrung, um das Produkt zu installieren oder zu montieren? Dann beauftragen Sie einen Fachmann.

Die Bilder in dieser Transport- und Montageanleitung dienen dem allgemeinen Grundverständnis und können von der tatsächlichen Ausführung des Produkts abweichen.

Diese Anleitung ist urheberrechtlich geschützt und ausschließlich für die Verwendung des Produkts bestimmt.

Bewahren Sie das unmontierte Produkt und seine Teile stets außerhalb der Reichweite von Kindern auf.

Beabsichtigte Verwendung

Bei dem Produkt handelt es sich um ein LED-Beleuchtungssystem, das dazu bestimmt ist, unter Zwischenbalken für eine Gumax-Veranda montiert zu werden. Wenn es für andere Anwendungen verwendet wird, liegt dies in der Verantwortung des Benutzers und geschieht auf dessen eigenes Risiko. In diesem Fall kann Gumax nicht garantieren, dass das Produkt für die beabsichtigte Verwendung geeignet ist und haftet daher nicht für Schäden. Das Produkt wird mit einer mitgelieferten Fernbedienung verwendet und ist für gängige Smart-Home-Systeme geeignet.

Dieses Produkt wurde speziell für den häuslichen Gebrauch unter normalen Bedingungen entwickelt und konstruiert.

Transport

Sichern Sie das Produkt beim Transport so, dass es nicht beschädigt werden kann.

Transportieren und lagern Sie das Produkt stets in der Originalverpackung an einem sicheren und trockenen Ort.

Die Transportmittel müssen für das Gewicht der Transporteinheiten geeignet und für den Transport zugelassen sein.

Prüfung

Prüfen Sie den Lieferumfang vorher auf Vollständigkeit und Beschädigungen und platzieren Sie die Teile übersichtlich.

Vergewissern Sie sich vor dem Einbau eines Teils, dass es keine Mängel aufweist und testen Sie das Produkt. Wenn Sie einen (möglichen) Defekt feststellen, machen Sie Fotos davon und kontaktieren Sie Ihren Lieferanten.

5 Stellen Sie den Gebrauch oder die Installation sofort ein, wenn ein möglicher Defekt festgestellt wird. Wenn Sie das Produkt dennoch installieren und/oder verwenden, haftet Gumax nicht für etwaige Folgen.

Installation

Schalten Sie den Strom an dem Ort, an dem Sie arbeiten werden, immer aus, bevor Sie mit der Installation des Produkts beginnen. Die Installationskupplungen sind nur zum Anschließen und Trennen ohne Last vorgesehen.

In einigen Ländern darf die Elektroinstallation nur von einem qualifizierten Elektriker durchgeführt werden. Wenn dies der Fall ist, müssen Sie sich an diese Vorschriften halten.

Stellen Sie sicher, dass während der Installation eine sichere Umgebung gewährleistet ist. Stellen Sie sicher, dass alle Maßnahmen für einen sicheren Betrieb getroffen wurden, bevor mit der Installation begonnen wird, und dass sich keine Personen in der Nähe befinden, die nicht an der Installation beteiligt sind. Verwenden Sie immer die angegebenen Bolzen- und Schraubverbindungen.

Achten Sie bei der Montage auf einen ausreichenden Abstand zwischen dem Produkt und etwaigen Hindernissen wie Mauern, Zäunen, Bäumen, Wäscheleinen usw. Hindernisse müssen mindestens 200 cm von der Struktur entfernt sein. Innerhalb der 200 cm Sicherheitszone sollten sich keine harten oder scharfen Gegenstände befinden. Die Oberfläche muss eben sein!

Das Produkt darf nicht anders als in dieser Anleitung beschrieben (zer)gebaut werden. Wenn ein Bauteil beschädigt ist, darf das Produkt nicht verwendet werden.

Arbeiten Sie sicher. Befolgen Sie stets die Sicherheitshinweise für die von Ihnen verwendeten Werkzeuge.

Vergewissern Sie sich beim Anschließen, dass die entsprechende Stromkreisgruppe nicht überlastet ist. Wenden Sie sich im Zweifelsfall an einen Experten. Schließen Sie in jedem Fall nicht mehr als 11 Leuchten an ein mitgeliefertes Stromkabel (230V) an.

Das Produkt muss an eine Schuko-Steckdose angeschlossen werden.

Sichern Sie die Kabel mit den entsprechenden Befestigungselementen. Achten Sie darauf, dass die Kabel zu keiner Zeit beschädigt werden. Verwenden Sie die mitgelieferten Befestigungselemente, um die Leuchte zu fixieren.

Verwenden Sie keine Heftklammern, Nägel oder ähnliche Gegenstände, um dieses Produkt oder seine Kabel zu befestigen, da dies die Isolierung beschädigen kann.

Achten Sie bei der Montage und Verwendung des Produkts auf Antistatik. Berühren Sie das Produkt nicht mit scharfen Werkzeugen.

Lesen Sie stets die Gebrauchsanweisung für die mitgelieferten Produkte und handeln Sie entsprechend dieser Gebrauchsanweisung.

Verwenden Sie nur die mitgelieferten Teile. Die Verwendung anderer Teile wie z.B. eines Verlängerungskabels kann das Produkt beschädigen oder zu gefährlichen Situationen führen. Eine gefährliche Kompatibilität zwischen Installationskupplungssystemen verschiedener Hersteller wird durch die Einhaltung der IEC 61535 nicht automatisch verhindert.

Die Installationskupplungssysteme sind kein Ersatz für das landesübliche Steckdosen- und Steckersystem.

Da ein IP20-Stecker normalerweise in Innenräumen verwendet wird, stellen Sie sicher, dass Sie den Stecker an eine Steckdose in einem Innenraum oder an eine Steckdose in einem Bereich mit Innenraumbedingungen anschließen. Falls Sie nicht über die nötige Erfahrung verfügen, um das Produkt zu installieren, beauftragen Sie einen Fachmann.

Verwendung

Bewahren Sie Batterien und Kleinteile außerhalb der Reichweite von Kindern auf. Dieses Produkt ist nicht als Spielzeug für Kinder ausgelegt oder gedacht.

Vermeiden Sie es, das Produkt offenen Flammen oder Flüssigkeiten auszusetzen.

Decken Sie die Leuchte nicht ab, eine ausreichende Belüftung ist für den korrekten Gebrauch notwendig. Das Abdecken/Verschließen kann zu Überhitzung führen. Dies hat negative Auswirkungen auf die Haltbarkeit des Produkts und kann zu Schäden führen.

Das gesamte Verpackungsmaterial des Produkts muss vor dem Gebrauch entfernt werden.

Wenn das Produkt bei davon abweichenden Temperaturen eingeschaltet wird, kann die korrekte Funktion des Systems beeinträchtigt werden und dies kann sich ebenfalls negativ auf die Haltbarkeit des Produkts auswirken oder zu Schäden führen.

Die elektrische Anlage, in der das Produkt verwendet wird, muss an ein Netz mit einer Nennspannung zwischen 220-240 Volt angeschlossen sein.

Bei extremen (Wetter-)Bedingungen (einschließlich starkem Wind, starkem Schneefall, großen Hagelkörnern, Erdbeben) sind besondere Vorsicht und Vorsichtsmaßnahmen erforderlich. Ergreifen Sie im Vorfeld Schutzmaßnahmen und stellen Sie sicher, dass Sie (oder andere Personen) das Produkt nicht bei extremen (Wetter-)Bedingungen verwenden. Wenn Sie einen (möglichen) Defekt feststellen, beachten Sie die Sicherheitsmaßnahmen. Achten Sie darauf, dass sich niemand unter oder in der Nähe der defekten Produkte aufhält und ziehen Sie einen Experten hinzu.

Der LED-Streifen darf unter keinen Umständen geknickt oder gedreht werden. Der minimale Biegeradius des LED-Streifens beträgt 50 mm und übt keine Kraft auf das Produkt aus.

Ziehen Sie nicht an den Kabeln. Dies kann zu Kabelbrüchen und/oder Kurzschlüssen führen.

Schauen Sie niemals direkt in die LED-Lampen. Dies könnte Ihre Augen schädigen.

Wenn eine sichere Nutzung nicht mehr möglich ist, deaktivieren Sie das Produkt und stellen Sie es vor unbeabsichtigter Nutzung sicher. Gehen Sie davon aus, dass eine sichere Verwendung nicht mehr möglich ist, wenn:

- das Produkt sichtbare Schäden oder Abweichungen aufweist
- das Produkt nicht oder nicht mehr ordnungsgemäß funktioniert
- das Produkt über einen längeren Zeitraum unter ungeeigneten Bedingungen gelagert wurde
- das Produkt schweren Transportbelastungen ausgesetzt war

Verwenden Sie unseren Netzadapter, Controller oder Dimmer. Die Leistung der Lichtleiste darf die maximale Leistung des Adapters, Controllers oder Dimmers nicht überschreiten.

Das Produkt erzeugt Wärme, verwenden Sie es daher in einer Umgebung mit Querlüftung zur Wärmeableitung.

Befestigen Sie keine zusätzlichen Gegenstände wie Seile oder Ketten an dem Produkt. Verwenden Sie das Produkt nur für den vorgesehenen Zweck.

Verwendung mit Smart Home/Heimautomationssystemen

Das Produkt ist grundsätzlich für die Verwendung innerhalb eines Smart Home Systems geeignet. Dazu benötigen Sie eine geeignete 'Brücke' oder einen Verbindungs-Hub.

Wenn Sie das Produkt an Ihr Smart-Home-System anschließen, ist Gumax nicht verantwortlich oder haftbar für den Betrieb oder die Sicherheit dieses Systems, der (Netzwerk-)Verbindung und seiner Hardware- und Softwarekomponenten. Gumax hat keine Verantwortung oder Haftung für diese Geräte und Dienstleistungen von Drittanbietern, ihre korrekte Konfiguration und Kompatibilität mit dem Produkt, den Datenverkehr zwischen dem Produkt und den Produkten und Dienstleistungen von Drittanbietern und die damit verbundenen Kosten. Gumax haftet nicht für Schäden an Ihrem Smart Home System, seinen Bestandteilen, Ihrem Netzwerk oder für Sicherheitsverletzungen durch Dritte.

Stellen Sie sicher, dass Sie die Software und Firmware aller Teile Ihres Smart Home Systems (wie Bridge/Hub, Geräte, Smart Home Produkte) immer auf die neueste Version aktualisieren, um die Sicherheit optimal zu gewährleisten. Das Produkt selbst kann nicht auf den neuesten Stand gebracht werden. Wählen Sie immer die sichersten (Router-)Einstellungen. Verwenden Sie sichere Passwörter und ändern Sie diese regelmäßig. Wir empfehlen Ihnen, automatische Updates über die Einstellungen der jeweiligen Komponente zu aktivieren. Gumax empfiehlt dringend, dass Sie nur Apps aus den offiziellen App Stores für iOS und Android herunterladen.

Wenn mehrere Geräte in Ihrer Umgebung dieselbe oder eine andere Funkfrequenz verwenden, kann dies negative Auswirkungen auf den Betrieb des Produkts haben, wie z.B. Verbindungsprobleme. Unterschiedliche Umweltfaktoren und der Standort des Produkts können die Reichweite der drahtlosen Verbindung beeinträchtigen. Gumax ist dafür nicht verantwortlich, da es sich hierbei nicht um eine Unzulänglichkeit des Produkts handelt. Wenn Sie trotz Ihrer Bemühungen weiterhin Probleme bei der Verwendung des Produkts innerhalb Ihres Smart Home-Systems haben, verwenden Sie das Produkt mit der mitgelieferten Fernbedienung.

Wartung und Reinigung

Überprüfen Sie das Produkt regelmäßig, mindestens einmal jährlich, auf Dichtigkeit und auf Defekte, die den sicheren Gebrauch des Produkts beeinträchtigen könnten. Wenn ein Teil beschädigt ist, darf das Produkt nicht verwendet werden.

Achten Sie bei Wartungs- und Reinigungsarbeiten auf scharfe Kanten und hervorstehende Teile. Verwenden Sie bei Bedarf einen Handschutz.

Spülen oder besprühen Sie die Produkte nicht mit Wasser. Dies kann einen Kurzschluss verursachen. Verwenden Sie zur Reinigung der Produkte ein leicht feuchtes Tuch. Verwenden Sie keine scheuernden Reinigungsmittel.

Wenn die Nutzungsdauer der Lichtquelle abgelaufen ist, muss die gesamte Leuchte ausgetauscht werden.

Das an der Leuchte befestigte Kabel kann nicht ersetzt werden. Wenn dieses Kabel beschädigt ist, muss die gesamte Leuchte ausgetauscht werden.

Verwerfen

Das Produkt enthält Teile, die nicht mit dem Hausmüll entsorgt werden dürfen. Wenn Sie das Produkt nicht mehr verwenden, bringen Sie es zu einer geeigneten Sammelstelle für Elektrogeräte.

Bringen Sie Batterien nach dem Gebrauch zu einer geeigneten Sammelstelle für leere Batterien.

Garantie und Haftung

Wenn Sie Änderungen an Gumax-Produkten außerhalb von Gumax vornehmen, erlischt in jedem Fall die Haftung von Gumax. In diesem Fall erlischt auch Ihre Garantie. Änderungen beziehen sich auf Folgendes: alles, was von den in der Installationsanleitung genannten Vorgängen abweicht.

Versuchen Sie nicht, das Produkt selbst zu reparieren. Unsachgemäß durchgeführte Reparaturen können zu gefährlichen Situationen führen und die Garantie und Haftung erlöschen lassen.

Wenn Sie Teile, die nicht von Gumax stammen, in Kombination mit dem Produkt verwenden, erlischt die Garantie für das Produkt.

Gumax kann nicht für Schäden am Stromnetz Ihres Hauses haftbar gemacht werden.

Es kann zu kleinen Unterschieden in der Lichtfarbe verschiedener Leuchten kommen. Dies gilt nicht als Mangel des Produkts.

Gumax haftet nicht für Folgeschäden, Schäden an Gegenständen oder Personen infolge der Nichtbeachtung der Sicherheitshinweise und/oder unsachgemäßen Gebrauchs oder infolge von Verschleiß. Das Design, die Zusammensetzung und die Spezifikationen des Produkts können ohne vorherige Ankündigung geändert werden.

Alle verwendeten Logos und Markennamen sind eingetragene Marken der jeweiligen Eigentümer und werden hiermit als solche anerkannt.

Das Produkt ist grundsätzlich für den Einsatz in einem Smart-Home-System geeignet. Hierfür benötigen Sie eine geeignete "Bridge" oder einen Verbindungs-Hub. Gumax kann jedoch nicht garantieren, dass das Produkt in jedem Smart-Home-System funktioniert oder weiterhin funktioniert, da Gumax keinen Einfluss auf das Produkt und/oder die Richtlinien von Drittanbietern hat. Gumax haftet auch nicht für Sicherheitsverletzungen, die sich aus der Verbindung des Produkts mit einem Smart-Home-System oder einem anderen Netzwerk ergeben. Sollten Sie Probleme bei der Verwendung des Produkts innerhalb Ihres Smart-Home-Systems haben, verwenden Sie bitte die mitgelieferte Fernbedienung.

Die Nutzung des Produkts innerhalb Ihres Smart-Home-Systems ist von externen Faktoren wie Funkfrequenz, Hardware, Software, Updates von Drittanbietern, drahtloser und interaktiver Verbindung und Netzwerkverbindung abhängig. Aufgrund dieser und anderer externer Faktoren kann Gumax keinen störungsfreien Betrieb des Produkts innerhalb eines Smart-Home-Systems garantieren. Wenn Ihr Produkt nicht (optimal) mit Ihrem Smart-Home-System funktioniert, stellt dies keinen Mangel des Produkts dar. Verwenden Sie das Produkt in diesem Fall mit der mitgelieferten Fernbedienung.

Alle Angaben und Hinweise in dieser Anleitung wurden unter Berücksichtigung der geltenden Normen und Vorschriften, des neuesten Stands der Technik sowie unserer langjährigen Erkenntnisse und Erfahrungen zusammengestellt. Der Hersteller haftet nicht für Schäden, die durch Folgendes verursacht werden: Nichtbeachtung dieser Anleitung, nicht bestimmungsgemäße Verwendung, Nichtbeachtung der anerkannten Regeln der Technik, unerlaubte Veränderung, technische Änderungen am Produkt.

Es gelten die im Liefervertrag vereinbarten Verpflichtungen, die Allgemeinen Geschäftsbedingungen, die Lieferbedingungen des Herstellers und die zum Zeitpunkt des Vertragsabschlusses geltenden gesetzlichen Bestimmungen.

INSTRUCTIONS DE SÉCURITÉ



Généralités

Lisez toujours ce manuel dans son intégralité avant d'installer ou d'utiliser le système d'éclairage Gumax (appelé également ci-après le « produit »). Vous devez toujours suivre les instructions de ce manuel. Le fait de ne pas suivre correctement les instructions peut provoquer des dommages matériels ou des blessures corporelles. En outre, le non-respect des instructions entraînera une annulation de la garantie.

Conservez soigneusement ce manuel afin que vous ou tout autre utilisateur puissiez toujours vous y référer. Si le produit est vendu ou transmis à des tiers, veuillez leur transmettre les consignes de sécurité.

Si vous avez des questions qui ne trouvent pas de réponse dans ces instructions d'installation, veuillez contacter votre revendeur. Vous avez une expérience professionnelle insuffisante pour installer ou assembler le produit ? Faites alors appel à un professionnel.

Les illustrations de ces instructions de transport et de montage sont destinées à une compréhension générale de base et peuvent différer de la version réelle du produit.

Ces instructions sont protégées par le droit d'auteur et sont uniquement destinées à l'utilisation du produit.

Gardez toujours les produits non assemblés hors de portée des enfants.

Usage visé

Le produit est un système d'éclairage LED à monter sous les chevrons d'une terrasse Gumax. L'utilisation dans d'autres applications se fait sous la responsabilité et aux risques de l'utilisateur. Dans ce cas, Gumax ne peut garantir que le produit soit adapté à l'usage auquel il est destiné et n'est donc pas responsable en cas de dommage. Le produit est utilisé avec une télécommande incluse et convient aux systèmes domestiques intelligents courants.

Ce produit est spécifiquement conçu et développé pour un usage exclusivement domestique dans des conditions normales d'utilisation.

Transport

Sécurisez le produit pendant le transport de manière à ce qu'il ne puisse pas être endommagé.

Transportez et stockez toujours le produit dans son emballage d'origine, dans un endroit sûr et sec.

Les moyens de transport doivent être adaptés au poids des unités de transport et autorisés pour le transport.

Contrôle

Vérifiez au préalable le nombre de pièces du contenu et qu'il ne comporte pas de dommages et disposez les pièces de manière ordonnée.

9 Avant d'assembler une pièce, vérifiez qu'elle ne présente aucun défaut et testez le produit. Si vous trouvez un (éventuel) vice de fabrication, prenez des photos et contactez votre fournisseur.

Si un éventuel vice de fabrication est détecté, cessez immédiatement l'utilisation ou l'installation. Si vous installez et/ou commencez à utiliser le produit malgré tout, Gumax n'est pas responsable des conséquences éventuelles.

Installation

Coupez toujours le courant à l'endroit où vous allez travailler avant de commencer à installer le produit. Les coupleurs d'installation sont destinés à la connexion et à la déconnexion sans charge, uniquement.

Dans certains pays, les installations électriques ne peuvent être réalisées que par un électricien qualifié. Si tel est le cas, conformez-vous à cette règle.

Veillez à ce que l'environnement soit sûr pendant l'installation. Veillez à ce que toutes les mesures soient prises pour travailler en toute sécurité avant de commencer l'installation et veillez à ce qu'il n'y ait pas de personnes non concernées par l'installation dans les parages. Utilisez toujours les raccords à boulons et à vis prescrits.

Lors du montage, veillez à ce qu'il y ait une distance suffisante entre le produit et tout obstacle tel que : murs, clôtures, arbres, cordes à linge, etc. Les obstacles doivent se trouver à au moins 200 cm de la construction. Il ne doit y avoir aucun objet dur ou anguleux dans la zone de sécurité de 200 cm. Le sol doit être de niveau.

Le produit ne doit pas être démonté ou démantelé de manière autre que celle indiquée dans ces instructions. Si une pièce est endommagée, le produit ne doit pas être utilisé.

Travaillez en toute sécurité. Respectez toujours les consignes de sécurité des outils que vous utilisez.

Le produit a une puissance de 60W par luminaire/conducteur. Lors du raccordement, veillez à ce que le groupe d'alimentation concerné ne soit pas surchargé. Faites appel à un professionnel en cas de doute. Dans tous les cas, ne connectez pas plus de 11 luminaires à un seul câble d'alimentation fourni (230V).

Le produit doit être connecté à une prise de courant mise à la terre.

Fixez les câbles à l'aide d'attaches appropriées. Veillez toujours à ce que les câbles ne soient pas endommagés. Utilisez les attaches fournies pour fixer le luminaire.

N'utilisez pas d'agrafeuse, de clous ou tout autre objet similaire pour fixer ce produit ou ses fils, car cela pourrait endommager l'isolation.

Lors de l'installation et de l'utilisation du produit, faites attention à l'antistatique. Ne touchez pas le produit avec des outils tranchants.

Consultez toujours les instructions d'utilisation des produits fournis et agissez conformément à ces instructions.

N'utilisez que les pièces fournies. L'utilisation d'autres éléments tels qu'une rallonge, peut endommager le produit ou conduire à des situations dangereuses. La compatibilité dangereuse entre les systèmes de coupleurs d'installation de différents fabricants n'est pas automatiquement évitée par la conformité à la norme IEC 61535.

Les systèmes de coupleurs d'installation ne remplacent pas le système national de prise de courant domestique.

Comme une fiche IP20 est généralement utilisée à l'intérieur, veillez à brancher la fiche à une prise de courant située à l'intérieur ou à une prise de courant située dans des conditions intérieures. Si vous n'avez pas l'expérience requise pour installer le produit, faites appel à un professionnel.

Utilisation

Gardez les piles et les petites pièces hors de portée des enfants. Ce produit n'est pas conçu ou prévu comme un jouet pour les enfants.

Évitez d'exposer le produit à des flammes nues ou à des liquides.

Ne couvrez pas le luminaire ; une ventilation adéquate est nécessaire pour un fonctionnement adéquat. Une couverture peut entraîner une surchauffe. Cela nuit à la durée de vie du produit et peut entraîner des dommages.

Tous les matériaux d'emballage du produit doivent être retirés du produit avant son utilisation.

Le produit ne doit être stocké ou allumé qu'à des températures (y compris sous la véranda) comprises entre -20°C et 45°C. Si le produit est allumé à des températures situées en dehors de cette plage, le bon fonctionnement du système peut être affecté et cela peut également avoir une incidence négative sur la durée de vie du produit ou conduire à des dommages.

L'installation électrique dans laquelle le produit est utilisé doit être raccordée à un réseau dont la tension nominale est comprise entre 220 et 240 volts.

Dans des conditions (météorologiques) extrêmes (notamment vents violents, fortes chutes de neige, grosses grêles, tremblements de terre), une prudence et des précautions supplémentaires sont requises. Prenez des mesures de protection à l'avance et veillez à ce que le produit ne soit pas utilisé par vous-même ou par d'autres personnes dans des conditions (météorologiques) extrêmes. Si vous détectez un (éventuel) vice, respectez les mesures de sécurité. Veillez à ce que personne ne se trouve sous ou à proximité du produit défectueux et faites appel à un professionnel.

La bande LED ne doit en aucun cas être pliée ou tordue. Le rayon de courbure minimal de la bande LED est de 50 mm et n'appliquez pas de force sur le produit.

Ne tirez pas sur les câbles. Cela peut provoquer des ruptures de câble et/ou des courts-circuits.

Ne regardez jamais directement en direction des lampes LED. Vous risquez de vous abîmer les yeux.

Si vous estimez qu'une utilisation sûre n'est plus possible, mettez le produit hors service et protégez-le contre toute utilisation involontaire. Estimez qu'une utilisation sûre n'est plus possible si :

- le produit présente des dommages ou des anomalies visibles
- le produit ne fonctionne pas correctement ou plus complètement
- le produit a été stocké dans des conditions défavorables pendant une période prolongée
- le produit a été soumis à de lourdes charges de transport

Utilisez notre adaptateur de courant, notre contrôleur ou notre variateur d'intensité lumineuse. La puissance de la bande lumineuse ne peut pas dépasser la puissance maximale de l'adaptateur, du contrôleur ou du variateur d'intensité lumineuse.

Le produit génère de la chaleur, utilisez-le donc dans un environnement avec une ventilation transversale pour la dissipation de la chaleur.

N'attachez pas d'objets supplémentaires au produit, tels que des cordes ou des chaînes. N'utilisez le produit que pour l'usage auquel il est destiné.

Utilisation avec smart home/systèmes domotiques

En principe, le produit est adapté à une utilisation dans un système de smart home. Pour ce faire, vous devez disposer d'un « pont » ou d'un hub de connexion adapté.

Si vous connectez le produit à votre smart home, Gumax n'est pas responsable du fonctionnement ou de la sécurité de ce système, de sa connexion (réseau) et de ses composants matériels et logiciels. Gumax ne contrôle pas et n'est pas responsable de ces dispositifs et services tiers, de leur bonne configuration et de leur compatibilité avec le produit, du trafic entre le produit et les produits et services tiers et des coûts.

associés. Gumax ne peut être tenu responsable des dommages causés à votre système smart home, à ses composants, à votre réseau ou dus à des violations de leur sécurité par des tiers.

Veillez à toujours mettre à jour le logiciel et le micrologiciel de tous les composants de votre smart home (tels que le pont/hub, les appareils, les produits smart home) à la dernière version, afin de maintenir une sécurité optimale. Le produit lui-même ne peut pas être mis à jour. Choisissez toujours les paramètres les plus sûrs (routeur). Utilisez des mots de passe forts et changez-les régulièrement. Nous vous recommandons d'activer les mises à jour automatiques via les paramètres du composant concerné. Gumax recommande vivement de ne télécharger que des applications provenant des magasins d'applications officiels pour iOS et Android.

Si plusieurs appareils dans votre entourage utilisent la même fréquence radio ou une fréquence radio différente, cela pourrait avoir un effet néfaste sur le fonctionnement du produit, comme des problèmes de connexion. Différents facteurs environnementaux et l'emplacement du produit peuvent affecter la portée de la connexion sans fil. Gumax n'en est pas responsable car il ne s'agit pas d'un défaut du produit. Si, malgré vos efforts, vous continuez à rencontrer des problèmes lors de l'utilisation du produit au sein de votre système de maison intelligente, veuillez utiliser le produit à l'aide de la télécommande fournie.

Entretien et nettoyage

Vérifiez régulièrement le produit, au moins une fois par an, pour vous assurer que le produit est solidement fixé et pour détecter tout défaut qui pourrait empêcher une utilisation sûre du produit. Si un composant du Produit est défectueux, vous ne pouvez pas utiliser le produit.

Pendant les travaux d'entretien ou de nettoyage, faites attention aux bords tranchants et aux parties saillantes. Utilisez une protection des mains si nécessaire.

Ne pas rincer ni vaporiser les produits avec de l'eau. Cela peut provoquer des courts-circuits. Utilisez un chiffon légèrement humide pour nettoyer les produits. N'utilisez pas de produits de nettoyage (agressifs).

Lorsque la durée de vie de la source lumineuse a expiré, l'intégralité du luminaire doit être remplacée.

Le câble fixé au luminaire ne peut pas être remplacé. Si ce câble est endommagé, il faut remplacer l'ensemble du luminaire.

Élimination

Le produit comporte des pièces qui ne doivent pas être jetées avec les déchets ordinaires. Si vous n'utilisez plus le produit, apportez-le à un point de collecte approprié pour les appareils électriques.

Après utilisation, apportez les piles à un point de collecte approprié pour les piles vides.

Garantie et responsabilité

Le fait d'apporter des modifications au produit sans l'intervention de Gumax entraînera dans tous les cas la cessation de la responsabilité de Gumax. Dans ce cas, votre garantie sera également annulée. Par modifications, nous entendons ici des opérations autres que celles spécifiées dans le manuel d'installation.

N'essayez pas de réparer le produit par vous-même. Des réparations mal effectuées peuvent provoquer des situations dangereuses et conduire à la suppression de la garantie et de la responsabilité.

L'utilisation de pièces qui ne sont pas de Gumax combinées au produit annule la garantie du produit.

Gumax ne peut être tenu responsable des dommages causés au réseau électrique de vos locaux.

Il peut y avoir de légères différences entre la couleur de la lumière de différents luminaires. Ce n'est pas considéré comme un défaut du produit.

Gumax n'est pas responsable des dommages indirects, des dommages causés à des objets ou à des personnes à la suite du non-respect des consignes de sécurité et/ou d'une utilisation inappropriée ou à la suite de l'usure. La conception, la composition et les spécifications du produit peuvent être modifiées sans préavis.

Tous les logos et noms commerciaux utilisés sont des marques déposées de leurs propriétaires respectifs et sont reconnus comme tels.

Le produit peut être utilisé dans un système de smart home. Pour ce faire, vous devez disposer d'un « pont » ou d'un hub de connexion adapté. Toutefois, Gumax ne peut garantir que le produit fonctionnera ou continuera de fonctionner au sein de tout système de smart home, car Gumax n'a aucune influence sur le produit et/ou les politiques de tiers. De plus, Gumax n'est pas responsable d'éventuelles failles de sécurité résultant de la connexion du produit à un système de smart home ou à un autre réseau. Si vous rencontrez des problèmes pour utiliser le produit dans votre système de smart home, veuillez utiliser le produit à l'aide de la télécommande fournie.

L'utilisation du produit dans votre système de smart home dépend de facteurs externes tels que la fréquence radio, le matériel, le logiciel, les mises à jour de tiers, la connexion sans fil et interactive et la connexion réseau. En raison de ces facteurs externes, entre autres, Gumax ne peut pas garantir le fonctionnement sans interférence du produit dans un système de smart home. Si votre produit ne fonctionne pas (de manière optimale) avec votre système de smart home, il ne s'agit pas d'une défaillance du produit. Dans ce cas, veuillez utiliser le produit au moyen de la télécommande fournie.

Toutes les informations et instructions fournies dans ce manuel ont été compilées en tenant compte des normes et réglementations en vigueur, des dernières technologies et de nos nombreuses années d'expérience. Le fabricant n'est pas responsable des dommages ayant les causes suivantes : non-respect de ce manuel, utilisation non conforme, non-respect des règles techniques reconnues, transformation non autorisée, modifications techniques du produit.

Les obligations convenues dans le contrat de fourniture, les conditions générales de vente, les conditions de livraison du fabricant et les dispositions légales en vigueur au moment de la conclusion du contrat sont applicables.

VEILIGHEIDSVOORSCHRIFTEN



Algemeen

Lees deze handleiding altijd volledig door voordat u Gumax Lighting System (verder ook te noemen: het 'Product') gaat installeren of gebruiken. U dient te allen tijde de instructies uit deze handleiding te volgen. Het niet correct opvolgen van instructies kan schade aan eigendommen of lichamelijk letsel tot gevolg hebben. Bovendien leidt het niet volgen van instructies tot verval van garantie.

Bewaar deze handleiding zorgvuldig zodat u of een andere gebruiker deze altijd kan raadplegen. Als het Product wordt verkocht of doorgegeven aan derden, dient u de veiligheidsinstructies door te geven.

Mocht u vragen hebben die niet in deze montagehandleiding worden beantwoord, neem dan contact met uw verkoper op. Heeft u onvoldoende kluservaring voor het installeren of monteren van het Product? Schakel dan een vakman in.

Afbeeldingen in deze transport- en montagehandleiding dienen voor een algemeen basisbegrip en kunnen afwijken van de eigenlijke versie van het product.

Deze handleiding is auteursrechtelijk beschermd en uitsluitend bedoeld voor gebruik van het product.

Houdt de ongemonteerde producten te allen tijde buiten bereik van kinderen.

Beoogd gebruik

Het Product is een led-verlichtingssysteem bedoeld om te monteren onder tussenliggers van een Gumax terrasoverkapping. Bij gebruik in andere toepassingen valt dit onder de eigen verantwoordelijkheid en het eigen risico van de gebruiker. Gumax kan in dat geval niet garanderen dat het Product geschikt is voor het beoogde gebruik en is dan ook niet aansprakelijk bij schade. Het Product wordt gebruikt met een bijgeleverde afstandsbediening en aanvullend is het geschikt voor gangbare smarthomesystemen.

Dit product is specifiek ontworpen en ontwikkeld voor uitsluitend huishoudelijk gebruik onder normale gebruiksomstandigheden.

Transport

Borg het product tijdens het transport op een dusdanige wijze dat deze niet kan beschadigen.

Vervoer en bewaar het product te allen tijde in de originele verpakking op een veilige en droge plaats.

Transportmiddelen moeten geschikt zijn voor het gewicht van de transporteenheden en voor het transport toegelaten zijn.

Controle

Controleer vooraf de inhoud op aantallen en beschadigingen en leg de onderdelen overzichtelijk neer.

Voordat u een onderdeel monteert, controleert u of deze vrij is van defecten en test u het Product. Indien u een (mogelijk) defect constateert, maak hier foto's van en neem contact op met uw leverancier.

Staak bij het constateren van een mogelijk defect het gebruik of de installatie onmiddellijk. Indien u het product desondanks toch installeert en/of in gebruik neemt, is Gumax niet aansprakelijk voor de eventuele gevolgen.

Installatie

Schakel de stroom altijd uit op de locatie waar u gaat werken voordat met de installatie van het product wordt begonnen. De installatiekoppelingen zijn uitsluitend bestemd voor spanningsloos aansluiten en ontkoppelen.

In sommige landen mogen elektrische installaties alleen worden uitgevoerd door een bevoegd elektricien. Indien dit van toepassing is, dient u zich hieraan te houden.

Zorg dat er een veilige omgeving is gedurende de installatie. Zorg ervoor dat alle maatregelen getroffen zijn om veilig te kunnen werken voordat installatie wordt gestart en zorg dat er geen personen in de buurt zijn die niet bij de installatie betrokken zijn. Gebruik steeds de voorgeschreven bout en schroefverbindingen.

Bij de montage dient u erop te letten dat er voldoende afstand is tussen het product en eventuele hindernissen zoals: muren, afsluitingen, bomen, waslijnen, etc. Obstakels moeten minstens 200 cm van de constructie verwijderd zijn. Binnen de veiligheidszone van 200 cm mogen zich geen harde of hoekige voorwerpen bevinden. De ondergrond moet vlak zijn.

Het product mag niet worden gedemonteerd of uiteen worden genomen, anders dan in deze handleiding vermeld. Indien een onderdeel beschadigd is, mag het product niet gebruikt worden.

Werk veilig. Volg altijd de veiligheidsinstructies van de gereedschappen die u gebruikt.

Het Product heeft een vermogen van 60W per armatuur/driver. Let er bij het aansluiten op dat de desbetreffende elektriciteitsgroep niet overbelast wordt. Schakel bij twijfel een expert in. In ieder geval niet meer dan 11 armaturen aaneenschakelen op één bijgeleverde elektriciteitskabel (230V).

Het product dient op een geaard stopcontact te worden aangesloten.

Bevestig de kabels met daarvoor bestemde bevestigingsmiddelen. Zorg er te allen tijde voor dat kabels niet beschadigd raken. Gebruik de meegeleverde bevestigingsmiddelen om de armatuur te bevestigen.

Gebruik geen nietmachines, spijkers of iets dergelijks om dit product of de draden ervan te bevestigen, aangezien dit de isolatie kan beschadigen.

Let tijdens de installatie en het gebruik van het product op antistatisch. Raak het product niet aan met scherpe gereedschappen.

Raadpleeg altijd de gebruiksaanwijzing van bijgeleverde producten en handel in overeenstemming met deze gebruiksaanwijzing.

Gebruik alleen de meegeleverde onderdelen. Gebruik van andere artikelen zoals een verlengsnoer kan het Product beschadigen of leiden tot gevaarlijke situaties. Een gevaarlijke compatibiliteit tussen installatiekoppelingssystemen van verschillende fabrikanten wordt niet automatisch voorkomen door naleving van IEC 61535.

De installatiekoppelingssystemen vormen geen vervanging voor het nationale standaardsysteem van stekkers en stopcontacten.

Aangezien een IP20-stekker gewoonlijk binnenshuis wordt gebruikt, moet u de stekker aansluiten op een stopcontact dat zich binnenshuis of in vergelijkbare condities bevindt. Indien u niet over de nodige ervaring beschikt om het product te installeren is het aan te raden om een installateur in te schakelen.

Gebruik

Houd batterijen en kleine onderdelen buiten het bereik van kinderen. Dit Product is niet ontworpen of bedoeld als speelgoed voor kinderen.

Voorkom blootstelling van het product aan open vuur of vloeistoffen.

Dek de armatuur niet af; voldoende ventilatie is noodzakelijk voor een correcte werking. Bedekking kan oververhitting tot gevolg hebben. Dit heeft een negatieve invloed op de levensuur van het Product en kan leiden tot schade.

Al het verpakkingsmateriaal van het Product moet verwijderd worden van het product voor in gebruik name.

Het product mag alleen worden bewaard of ingeschakeld bij temperaturen (ook onder de overkapping) tussen -20°C en 45°C. Indien het product ingeschakeld wordt bij temperaturen die buiten deze bandbreedte vallen, kan de correcte werking van het systeem beïnvloed worden en dit kan tevens een negatief effect hebben op de levensduur van het Product of leiden tot schade.

De elektrische installatie waarin het product wordt gebruikt, moet worden aangesloten op een netwerk met nominale spanning tussen de 220-240 Volt.

Bij extreme (weers)omstandigheden (waaronder harde wind, zware sneeuwval, grote hagelstenen, aardbevingen) is extra voorzichtigheid en zijn voorzorgsmaatregelen geboden. Neem vooraf beschermende maatregelen en zorg ervoor dat het product gedurende de extreme (weers)omstandigheden niet wordt gebruikt door uzelf of anderen. Als u een (mogelijk) defect constateert, neem dan veiligheidsmaatregelen in acht. Zorg ervoor dat niemand onder of in de buurt van de defecte producten is en schakel een deskundige in.

De led-strip mag in geen geval gevouwen of gedraaid worden. De minimale buigradius van de ledstrip is 50mm en oefen geen kracht uit op het Product.

Trek niet aan kabels. Dit kan kabelbreuk en/of kortsluiting veroorzaken.

Kijk nooit rechtstreeks in de led-lampen. Dit kan de ogen beschadigen.

Als aannemelijk is dat veilig gebruik niet langer mogelijk is, stel dan het Product buiten werking en borg het tegen onbedoeld gebruik. Ga ervan uit dat veilig gebruik niet langer mogelijk is als:

- het Product enige zichtbare beschadigingen of afwijkingen vertoont
- het Product niet of niet meer volledig naar behoren werkt
- het Product gedurende langere tijd onder ongunstige omstandigheden is opgeslagen
- het Product aan zware transportbelastingen onderhevig is geweest

Gebruik onze voedingsadapter, controller of dimmer, het vermogen van de lichtstrip kan niet hoger zijn dan het maximale vermogen van de adapter, controller of dimmer.

Het Product genereert warmte, dus gebruik hem in een omgeving met kruisventilatie voor warmteafvoer.

Bevestig geen extra voorwerpen aan het product zoals touwen of kettingen. Gebruik het product enkel waarvoor het bestemd is.

Bij gebruik binnen smarthome/domotica systemen

Het Product is in principe geschikt voor gangbare smart home systemen. Hiervoor dient u zelf te beschikken over een geschikte 'bridge' of verbindingshub.

Indien u het Product aansluit op uw smarthomesysteem, is Gumax niet verantwoordelijk of aansprakelijk voor de werking of veiligheid van dit systeem, de (netwerk)verbinding en diens hardware- en softwarecomponenten. Gumax heeft geen controle over en is niet verantwoordelijk, noch aansprakelijk voor deze apparaten en diensten van derden, de juiste configuratie en compatibiliteit ervan met het Product, het verkeer tussen het Product met producten en diensten van derden en de aanverwante kosten. Gumax is niet aansprakelijk voor schade aan uw smarthomesysteem, diens componenten, uw netwerk of door inbreuken op de beveiliging hiervan door derden.

Zorg dat u de software en firmware van alle onderdelen van uw smarthome systeem (zoals bridge/hub, devices, smarthome producten) altijd updatet naar de meest recente versie, om de beveiliging optimaal te houden. Het Product zelf kan niet worden geüpdatet. Kies altijd voor de meeste veilige (router)instellingen. Gebruik sterke wachtwoorden en wijzig deze regelmatig. Wij adviseren om automatische updates in te schakelen via de instellingen van het betreffende onderdeel. Gumax raadt nadrukkelijk aan om uitsluitend apps te downloaden uit de officiële app stores voor iOS en Android.

Indien er meerdere apparaten in uw omgeving gebruik maken van dezelfde of een andere radiofrequentie, kan dit een negatief effect hebben op de werking van het Product, zoals verbindingproblemen. Verschillende omgevingsfactoren en de locatie van het Product kunnen het bereik van de draadloze verbinding beïnvloeden. Gumax is hiervoor niet aansprakelijk, omdat dit geen tekortkoming van het Product is. Indien u ondanks uw inspanningen problemen blijft ondervinden bij gebruik van het Product binnen uw smarthomesysteem, gebruikt u het Product dan middels de bijgeleverde afstandsbediening.

Onderhoud en schoonmaak

Controleer het Product regelmatig, minimaal jaarlijks, op het stevig vastzitten van het Product en op gebreken die veilig gebruik van het Product in de weg kunnen staan. Als een onderdeel beschadigd is, mag het Product niet worden gebruikt.

Let bij onderhouds- of schoonmaakwerkzaamheden op scherpe randen en uitstekende delen. Gebruik handbescherming indien nodig.

Spoel of spuit de producten niet af met water. Dit kan tot kortsluiting leiden. Hanteer een licht vochtige doek om de producten schoon te maken. Gebruik geen (agressieve) schoonmaakmiddelen.

Wanneer de levensduur van de lichtbron is verstreken, moet de hele armatuur worden vervangen.

De kabel die vastzit aan de armatuur kan niet worden vervangen. Wanneer deze kabel beschadigd is, moet de gehele armatuur vervangen worden.

Afdanken

Het Product bevat onderdelen die niet bij het reguliere afval gedeponerd mogen worden. Indien u het Product niet meer gebruikt, brengt u het Product naar een geschikt deponeringspunt voor elektrische apparaten.

Batterijen brengt u na gebruik naar een geschikt deponeringspunt voor lege batterijen.

Garantie en aansprakelijkheid

Het buiten Gumax om aanbrengen van wijzigingen aan Gumax producten leidt in alle gevallen tot het vervallen van aansprakelijkheid van Gumax. Ook vervalt in dat geval uw garantie. Met wijzigingen wordt hier bedoeld: anders dan de in de installatiehandleiding vermelde bewerkingen.

Probeer niet zelfstandig het Product te repareren. Verkeerd uitgevoerde reparaties kunnen voor gevaarlijke situaties zorgen en leiden tot verval van de garantie en aansprakelijkheid.

Bij het gebruik van onderdelen die niet van Gumax zijn in combinatie met het Product, zal de garantie op het Product vervallen.

Gumax kan niet aansprakelijk worden gesteld voor schade aan het elektriciteitsnet van uw pand.

Er kunnen kleine verschillen zijn tussen de kleur van het licht van verschillende armaturen. Dit geldt niet als een tekortkoming van het Product.

Gumax is niet aansprakelijk voor gevolgschade, schade aan voorwerpen of personen als gevolg van het niet in acht nemen van de veiligheidsinstructies en/of oneigenlijk gebruik of als gevolg van slijtage. Productontwerp, -samenstelling en -specificaties kunnen zonder voorafgaande kennisgeving worden gewijzigd.

Alle gebruikte logo's en handelsnamen zijn geregistreerde handelsmerken van hun respectieve eigenaren en worden hierbij als zodanig erkend.

Het Product is geschikt voor gangbare smarthome systemen. Hiervoor dient u zelf te beschikken over een geschikte 'bridge' of verbindingshub. Gumax kan echter niet garanderen dat het Product werkt of blijft werken binnen elk smarthome systeem, omdat Gumax geen invloed heeft op het product en/of beleid van derden. Ook is Gumax niet aansprakelijk voor eventuele beveiligingsinbreuken als gevolg van het aansluiten van het Product op een smarthome systeem of ander netwerk. Indien u problemen ondervindt bij gebruik van het Product binnen uw smarthome systeem, gebruikt u het Product dan middels de bijgeleverde afstandsbediening.

Het gebruik van het Product binnen uw smarthome systeem is afhankelijk van externe factoren zoals radiofrequentie, hardware, software, updates van een derde partij, een draadloze en interactieve verbinding en een netwerkverbinding. Vanwege onder andere deze externe factoren, kan Gumax het storingsvrij werken van het Product binnen een smarthome systeem niet garanderen. Indien uw Product niet (optimaal) werkt met uw smarthome systeem, geldt dit niet als tekortkoming van het Product. Gebruikt u het Product in dat geval middels de bijgeleverde afstandsbediening.

Alle gegevens en aanwijzingen in deze handleiding zijn samengesteld met inachtneming van de geldende normen en voorschriften, de laatste stand der techniek en onze jarenlange inzichten en ervaring. De fabrikant is niet aansprakelijk voor schade met de volgende oorzaken: niet in acht nemen van deze handleiding, niet beoogd gebruik, niet aanhouden van de erkende technische regels, eigenmachtige ombouw, technische veranderingen aan het product.

De in het leveringscontract overeengekomen verplichtingen, de algemene bedrijfsvoorwaarden, de leveringsvoorwaarden van de fabrikant en de op het tijdstip van de afsluiting van het contract geldende wettelijke regelingen zijn geldig.

INSTRUKCJA BEZPIECZEŃSTWA



Informacje ogólne

Przed instalacją lub użytkowaniem systemu oświetlenia Gumax (zwanego dalej również „Produktem”) należy zawsze dokładnie przeczytać niniejszą instrukcję. Należy zawsze postępować zgodnie z zaleceniami zawartymi w niniejszej instrukcji. Niedostosowanie się do instrukcji może prowadzić do uszkodzenia mienia lub obrażeń ciała. Ponadto nieprzestrzeganie instrukcji obsługi spowoduje utratę gwarancji.

Instrukcję należy przechowywać w łatwo dostępnym miejscu do późniejszego użycia. Jeśli Produkt zostanie sprzedany lub przekazany osobom trzecim, należy sprzedać lub przekazać go wraz z instrukcją bezpieczeństwa.

W przypadku jakichkolwiek pytań, na które nie ma odpowiedzi w instrukcji montażu, należy skontaktować się ze sprzedawcą. Jeśli użytkownik nie ma wymaganego doświadczenia w instalacji lub montażu produktu, powinien skorzystać z usług fachowca.

Obrazki zawarte w niniejszej instrukcji transportu i montażu mają charakter ogólny i mogą się różnić od rzeczywistej wersji Produktu.

Niniejsza instrukcja jest chroniona prawem autorskim i przeznaczona wyłącznie do użytkowania z Produktem.

Niezmontowany Produkt i jego części należy przechowywać w miejscu niedostępnym dla dzieci.

Zastosowanie Produktu

Produkt jest systemem oświetlenia LED przeznaczonym do montażu pod belkami podtrzymującymi werandy Gumax. Stosując produkt w innych celach, użytkownik robi to na własną odpowiedzialność i na własne ryzyko. W takim przypadku Gumax nie może zagwarantować, że Produkt jest odpowiedni do zamierzonego zastosowania, a w związku z tym nie ponosi odpowiedzialności za ewentualne szkody. Produkt stosuje się z dostarczonym pilotem i nadaje się do popularnych systemów inteligentnego domu.

Produkt został zaprojektowany i opracowany wyłącznie do użytku w normalnych warunkach użytkowania.

Transport

Podczas transportu Produkt powinien być zabezpieczony tak, by nie uległ uszkodzeniu.

Produkt należy zawsze transportować i przechowywać w oryginalnym opakowaniu, w bezpiecznym i suchym miejscu.

Środki transportu muszą być dostosowane do masy jednostek transportowych i dopuszczone do transportu.

Przegląd

Należy uprzednio sprawdzić zawartość opakowania pod kątem uszkodzeń i odpowiednio je spakować.

Przed zamontowaniem danej części należy sprawdzić, czy jest wolna od wad, i przetestować Produkt. Jeśli użytkownik znajdzie (potencjalną) wadę, należy zrobić jej zdjęcie i skontaktować się z dostawcą.

W przypadku wykrycia potencjalnej wady należy natychmiast zaprzestać użytkowania lub instalacji Produktu. Jeśli jednak użytkownik zainstaluje i/lub będzie korzystać z produktu, Gumax nie ponosi odpowiedzialności za jakiegokolwiek konsekwencje takiego działania.

Instalacja

Przed rozpoczęciem instalacji należy zawsze wyłączyć zasilanie w miejscu, w którym użytkownik zamierza pracować. Łączniki instalacyjne są przeznaczone do łączenia i rozłączania wyłącznie bez obciążenia.

W niektórych krajach instalacje elektryczne mogą być wykonywane wyłącznie przez wykwalifikowanego elektryka. Jeśli ten przepis ma zastosowanie w kraju użytkownika, należy go przestrzegać.

Należy dopilnować, żeby instalacja była przeprowadzana w bezpiecznym środowisku. Przed rozpoczęciem instalacji należy upewnić się, że podjęto wszelkie środki w celu zapewnienia bezpiecznej eksploatacji i że w pobliżu nie znajdują się osoby postronne. Zawsze należy używać właściwych śrub i złączy śrubowych.

Podczas montażu należy sprawdzić, czy istnieje wystarczająca odległość między Produktem a wszelkimi przeszkodami, takimi jak ściany, ogrodzenia, drzewa, linie myjące itp. Przeszkody muszą znajdować się w odległości co najmniej 200 cm od konstrukcji. W strefie bezpieczeństwa 200 cm nie powinny znajdować się twarde ani ostre przedmioty. Powierzchnia musi być płaska!!

Produkt nie może być montowany (demontowany) w żaden inny sposób niż określono w niniejszej instrukcji. Jeśli element jest uszkodzony, produkt nie może być używany.

Należy pracować bezpiecznie. Zawsze należy postępować zgodnie z instrukcjami bezpieczeństwa dotyczącymi używanych narzędzi.

Produkt posiada moc wyjściową 60 W na oprawę/sterownik. Podczas podłączania należy sprawdzić, czy właściwa grupa obwodów zasilania nie jest przeciążona. W razie wątpliwości wezwać fachowca. W żadnym wypadku nie należy podłączać więcej niż 11 opraw oświetleniowych do jednego dostarczonego kabla zasilającego (230 V).

Produkt musi być podłączony do uziemionego gniazda.

Zabezpieczyć kable odpowiednimi elementami mocującymi. Zawsze należy sprawdzać, czy kable nie są uszkodzone. Użyć dostarczonych elementów mocujących do przymocowania oprawy oświetleniowej.

Nie używać zszywaczy, gwoździ ani żadnych podobnych przedmiotów do mocowania tego Produktu lub jego przewodów, ponieważ mogą uszkodzić izolację.

Podczas instalacji i użytkowania Produktu należy zwrócić uwagę na działanie antystatyczne. Nie dotykać Produktu ostrymi narzędziami.

Zawsze należy odwoływać się do instrukcji użytkownika produktu oraz postępować z zawartymi w niej zaleceniami.

Używać tylko zapewnionych części. Używanie innych przedmiotów, takich jak przedłużacze, może prowadzić do uszkodzenia Produktu lub niebezpiecznych sytuacji. Zgodność z normą IEC 61535 nie zapobiega automatycznie zagrożeniom związanym z kompatybilnością między systemami łączników instalacyjnych różnych producentów.

Systemy łączników instalacyjnych nie stanowią zamienników dla krajowych systemów wtyczek i gniazd do użytku domowego.

Ponieważ wtyczki IP20 zwykle używa się w pomieszczeniach, należy pamiętać, żeby podłączyć wtyczkę do gniazdka znajdującego się w pomieszczeniu lub w warunkach, jakie panują w pomieszczeniu. Jeśli użytkownik nie masz wymaganego doświadczenia w instalacji Produktu, powinien wezwać fachowca.

Użytkowanie

Małe części należy przechowywać w miejscu niedostępnym dla dzieci. Ten produkt nie jest zaprojektowany ani przeznaczony do użytkowania przez dzieci.

Unikać wystawienia produktu na działanie otwartego ognia lub cieczy.

Nie zakrywać punktów świetlnych, odpowiednia wentylacja jest niezbędna do prawidłowego działania. Przykrycie/obudowa może spowodować przegrzanie. Ma to negatywny wpływ na żywotność Produktu i może prowadzić do jego uszkodzenia.

Przed użyciem Produktu należy usunąć z niego wszystkie materiały opakowaniowe.

Produkt należy przechowywać lub włączać wyłącznie w temperaturze (nawet pod werandą) od -20°C do 45°C. Jeśli produkt jest włączony w temperaturach odbiegających od tej wartości, może to mieć negatywny wpływ na prawidłowe działanie systemu i na żywotność produktu lub prowadzić do jego uszkodzenia.

Instalacja elektryczna, w której produkt jest używany, musi być podłączona do sieci o napięciu znamionowym 220-240 V.

W ekstremalnych warunkach (pogodowych, takich jak silny wiatr, obfite opady śniegu, silne gradobicie, trzęsienia ziemi) wymagana jest szczególna uwaga i przestrzeganie środków ostrożności. Należy podjąć wcześniej środki ochronne i pamiętać żeby nikt nie korzystał z produktu w ekstremalnych warunkach pogodowych. W razie zauważenia (potencjalnej) wady należy przestrzegać środków bezpieczeństwa. Należy dopilnować, żeby nikt nie znajdował się pod wadliwym Produktem ani w pobliżu, po czym wezwać fachowca.

Taśmy LED nie można w żadnym wypadku składać ani obracać. Minimalny promień gięcia taśmy LED wynosi 50 mm i nie wywiera żadnej siły na Produkt.

Nie ciągnąć za kable. Może to spowodować pęknięcie i/lub zwarcie kabla.

Nigdy nie należy patrzeć bezpośrednio w lampy LED. Może to powodować uszkodzenia oczu.

Jeśli istnieje ryzyko, że bezpieczne użytkowanie Produktu nie jest możliwe, należy go dezaktywować i zabezpieczyć przed niezamierzonym użyciem. Należy założyć, że bezpieczne użytkowanie nie jest możliwe, jeśli:

- Produkt jest wyraźnie uszkodzony lub wykazuje odstępstwa
- Produkt nie działa prawidłowo
- Produkt był przez dłuższy czas przechowywany w niewłaściwych warunkach
- Produkt był narażony na duże obciążenie podczas transportu

Należy używać naszego zasilacza, sterownika lub ściemniacza, a moc paska świetlnego nie może przekraczać maksymalnej mocy adaptera, sterownika lub ściemniacza.

Produkt wytwarza ciepło, należy go więc używać w środowisku z wentylacją krzyżową do rozpraszania ciepła.

Do Produktu nie należy mocować żadnych dodatkowych przedmiotów, takich jak liny lub łańcuchy. Produktu należy używać wyłącznie zgodnie z jego przeznaczeniem.

Stosowanie w inteligentnym domu / automatyce domowej

Produkt zasadniczo można stosować w systemie inteligentnego domu. W tym celu należy zastosować odpowiedni „mostek” lub koncentrator.

W przypadku podłączenia Produktu do systemu inteligentnego domu firma Gumax nie ponosi odpowiedzialności za działanie ani bezpieczeństwo tego systemu, połączenia (sieciowego) oraz jego komponentów sprzętowych i oprogramowania. Gumax nie ma kontroli i nie ponosi odpowiedzialności za te urządzenia i usługi stron trzecich, ich prawidłową konfigurację i zgodność z Produktem, ruch między Produktem a produktami i usługami stron trzecich oraz związane z tym koszty. Gumax nie ponosi odpowiedzialności za uszkodzenia systemu inteligentnego domu, jego komponentów, sieci ani za naruszenia bezpieczeństwa przez osoby trzecie.

W celu zachowania optymalnego bezpieczeństwa należy pamiętać, żeby zawsze aktualizować oprogramowanie i oprogramowanie sprzętowe wszystkich części systemu inteligentnego domu (takich jak most/koncentrator, urządzenia, produkty inteligentnego domu) do najnowszej wersji. Nie można zaktualizować samego produktu. Zawsze należy wybierać najbezpieczniejsze ustawienia (router). Używać silnych haseł i regularnie je zmieniać. Zalecamy włączenie automatycznych aktualizacji za pomocą ustawień odpowiedniego komponentu. Gumax zdecydowanie zaleca pobieranie aplikacji tylko z oficjalnych sklepów z aplikacjami dla systemów iOS i Android.

Jeśli wiele urządzeń w środowisku użytkownika korzysta z tej samej lub innej częstotliwości radiowej, może to mieć negatywny wpływ na działanie Produktu, np. wystąpią problemy z połączeniem. Różne czynniki środowiskowe i lokalizacja Produktu mogą wpływać na zasięg połączenia bezprzewodowego. Gumax nie ponosi za to odpowiedzialności, ponieważ nie jest to wada Produktu. Jeśli pomimo wysiłków użytkownik nadal będzie napotykać problemy podczas korzystania z Produktu w systemie inteligentnego domu, powinien używać Produktu za pomocą dostarczonego pilota.

Konserwacja i czyszczenie

Regularnie, co najmniej raz w roku, należy sprawdzać Produkt pod kątem szczelności i wad, które mogą zakłócać jego bezpieczne użytkowanie. Jeśli jakakolwiek część jest uszkodzona, wówczas Produktu nie wolno używać.

Podczas konserwacji i czyszczenia należy zwracać uwagę na ostre krawędzie i wystające części. W razie potrzeby użyć środków ochrony rąk.

Nie płucać ani nie spryskiwać Produktów wodą. Może to spowodować zwarcie. Do czyszczenia Produktów należy używać lekko wilgotnej ściereczki. Nie używać żadnych ściernych środków czyszczących.

Po zakończeniu cyklu życia źródła światła należy wymienić całą oprawę oświetleniową.

Kabel podłączony do oprawy nie może być wymieniony. Jeśli kabel został uszkodzony, należy wymienić całą oprawę.

Utylizacja

Produkt zawiera części, które nie mogą być składowane wraz ze zwykłymi odpadami. Jeśli użytkownik nie będzie już korzystać z Produktu, powinien go przekazać do odpowiedniego punktu zbiórki urządzeń elektrycznych.

Po zakończeniu użytkowania baterie należy oddać do odpowiedniego punktu zbiórki zużytych baterii.

Gwarancja i odpowiedzialność

Dokonywanie zmian w produktach Gumax bez udziału firmy Gumax każdorazowo powoduje wyłączenie odpowiedzialności firmy Gumax. Spowoduje to również wygaśnięcie gwarancji. Zmiany te dotyczą czynności innych niż wymienione w instrukcji instalacji.

Nie należy podejmować samodzielnej próby naprawy Produktu. Nieprawidłowo wykonane naprawy mogą prowadzić do niebezpiecznych sytuacji, unieważnienia gwarancji i wyłączenia odpowiedzialności.

Gwarancja wygasa również w przypadku stosowania z Produktem części, których nie wyprodukowała firma Gumax.

Gumax nie ponosi odpowiedzialności za szkody spowodowane przez sieć elektryczną w nieruchomości użytkownika.

Pomiędzy barwą światła różnych opraw oświetleniowych mogą występować niewielkie różnice. Nie jest to traktowane jako wada Produktu.

Gumax nie ponosi odpowiedzialności za szkody następcze, uszkodzenia przedmiotów ani obrażenia osób powstałe w wyniku nieprzestrzegania instrukcji bezpieczeństwa lub działań niezgodnych z niniejszą instrukcją instalacji, i/lub niewłaściwego użytkowania, lub zużycia. Projekt, ustawienia i specyfikacje Produktu mogą ulec zmianie bez uprzedzenia.

Wszystkie używane logotypy i nazwy handlowe są zastrzeżonymi znakami towarowymi ich właścicieli i uznaje się je za chronione.

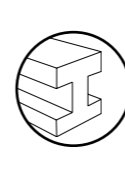
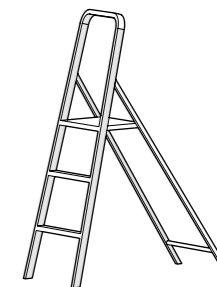
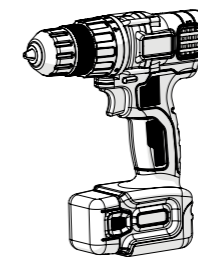
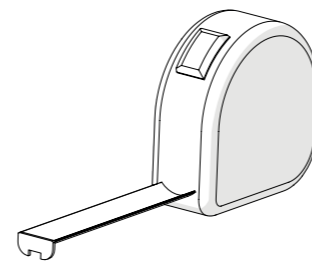
Produkt jest odpowiedni dla popularnych systemów inteligentnego domu. W tym celu należy zastosować odpowiedni „mostek” lub koncentrator. Gumax nie może jednak zagwarantować, że Produkt będzie działał lub nadal działał w dowolnym systemie inteligentnego domu, ponieważ Gumax nie ma wpływu na produkt ani politykę stron trzecich. Gumax nie ponosi również odpowiedzialności za naruszenia bezpieczeństwa wynikające z podłączenia Produktu do systemu inteligentnego domu lub innej sieci. W przypadku wystąpienia problemów podczas korzystania z Produktu w ramach systemu inteligentnego domu należy używać Produktu za pomocą dostarczonego pilota.

Korzystanie z Produktu w ramach systemu inteligentnego domu zależy od czynników zewnętrznych, takich jak częstotliwość radiowa, sprzęt, oprogramowanie, aktualizacje stron trzecich, połączenie bezprzewodowe i interaktywne oraz połączenie sieciowe. Ze względu na wymienione czynniki zewnętrzne Gumax nie może zagwarantować bezproblemowej pracy Produktu w systemie inteligentnego domu. Jeśli Produkt nie działa (optymalnie) z systemem inteligentnego domu, nie uznaje się tego za wadę Produktu. W takim przypadku należy obsługiwać urządzenie za pomocą dostarczonego pilota zdalnego sterowania.

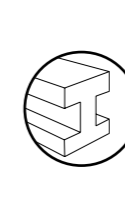
Wszystkie dane i instrukcje zawarte w niniejszej instrukcji zostały opracowane zgodnie z obowiązującymi normami i przepisami, w oparciu o najnowocześniejszą technologię oraz zgodnie z naszymi wieloletnimi spostrzeżeniami i doświadczeniami. Producent nie ponosi odpowiedzialności za szkody powstałe wskutek nieprzestrzegania instrukcji obsługi, niezamierzonego użycia, nieprzestrzegania uznanych przepisów technicznych, nieuprawnionych modyfikacji ani zmian technicznych Produktu.

Zastosowanie mają wymagania określone w warunkach dostawy, warunkach firmy, warunkach dostawy producenta oraz przepisach prawa obowiązujących w momencie uzgodnienia umowy.

**TOOLS
WERKZEUGE
MATERIEL NECESSAIRE
GEREEDSCHAP
NARZĘDZIA**



Ø 3mm



Ø 5mm

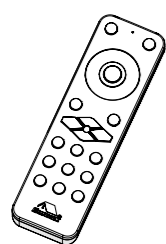


Ø 14mm

PARTS BAUTEILE ELEMENTS ONDERDELEN CZĘŚCI

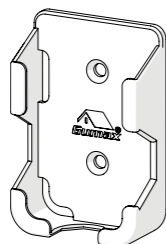
The list below shows the minimum amounts required

Box A | Verpackung A | Boîte A | Doos A | Ramka A PCK-9000-X



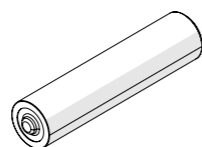
1X

ALP-3419-1



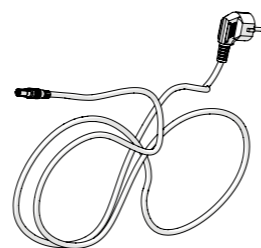
1X

ALP-3420-1



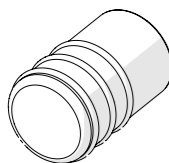
2X

ALP-3421-1



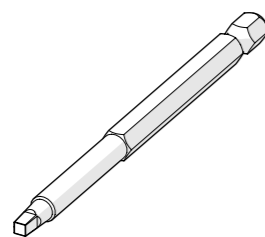
1X

ALP-3422-1



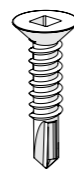
1X

ALP-3424-1



1X

SCM-2091-1



2X

SCM-3003-X
19mm



2X

SCM-3004-1
40mm



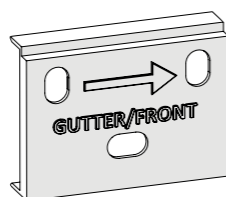
2X

SCM-3004-2



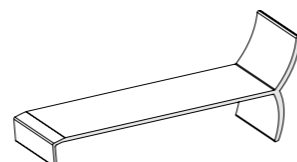
2X

PC-3421-1



1X

TLS-3401-1

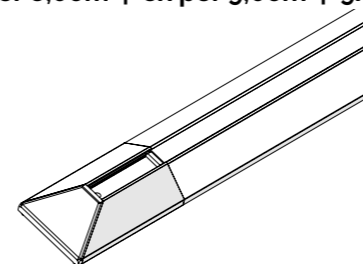


1X

TLS-3402-1

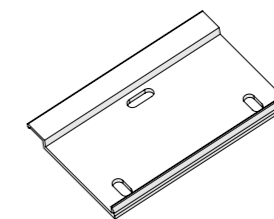
Box B | Verpackung B | Boîte B | Doos B | Ramka B PCK-9001-X / PCK-9002-X / PCK-9003-X / PCK-9004-X

2x per 3,06m | 3x per 4,06m | 4x per 5,06m | 5x per 6,06m | 6x per 7,06m
7x per 8,06m | 8x per 9,06m | 9x per 10,06m | 10x per 11,06m | 11x per 12,06m



1X

ASY-3400/3401/3402/3403-X



4X

2,5m

4X

3,0m

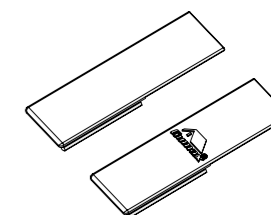
5X

3,5m

5X

4,0m

ALP-3404-1



1X

ALP-3416-X
ALP-3417-X



14X

2,5m

14X

3,0m

17X

3,5m

17X

4,0m

SCM-3000-X
16mm

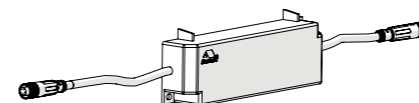


2X

SCM-3001-X
32mm

Box C | Verpackung C | Boîte C | Doos C | Ramka C PCK-9005-X

2x per 3,06m | 3x per 4,06m | 4x per 5,06m | 5x per 6,06m | 6x per 7,06m
7x per 8,06m | 8x per 9,06m | 9x per 10,06m | 10x per 11,06m | 11x per 12,06m



1X

ALP-3418-1



1X

ALP-3423-1

ASSEMBLY MONTAGE MONTAGE MONTAGE MONTAŻ



Repeat step for each same item | Schritt für jedes gleiches Item wiederholen | Répétez les étapes pour chaque même article | Stap herhalen voor elk hetzelfde onderdeel | Powtórz krok dla każdej samej części



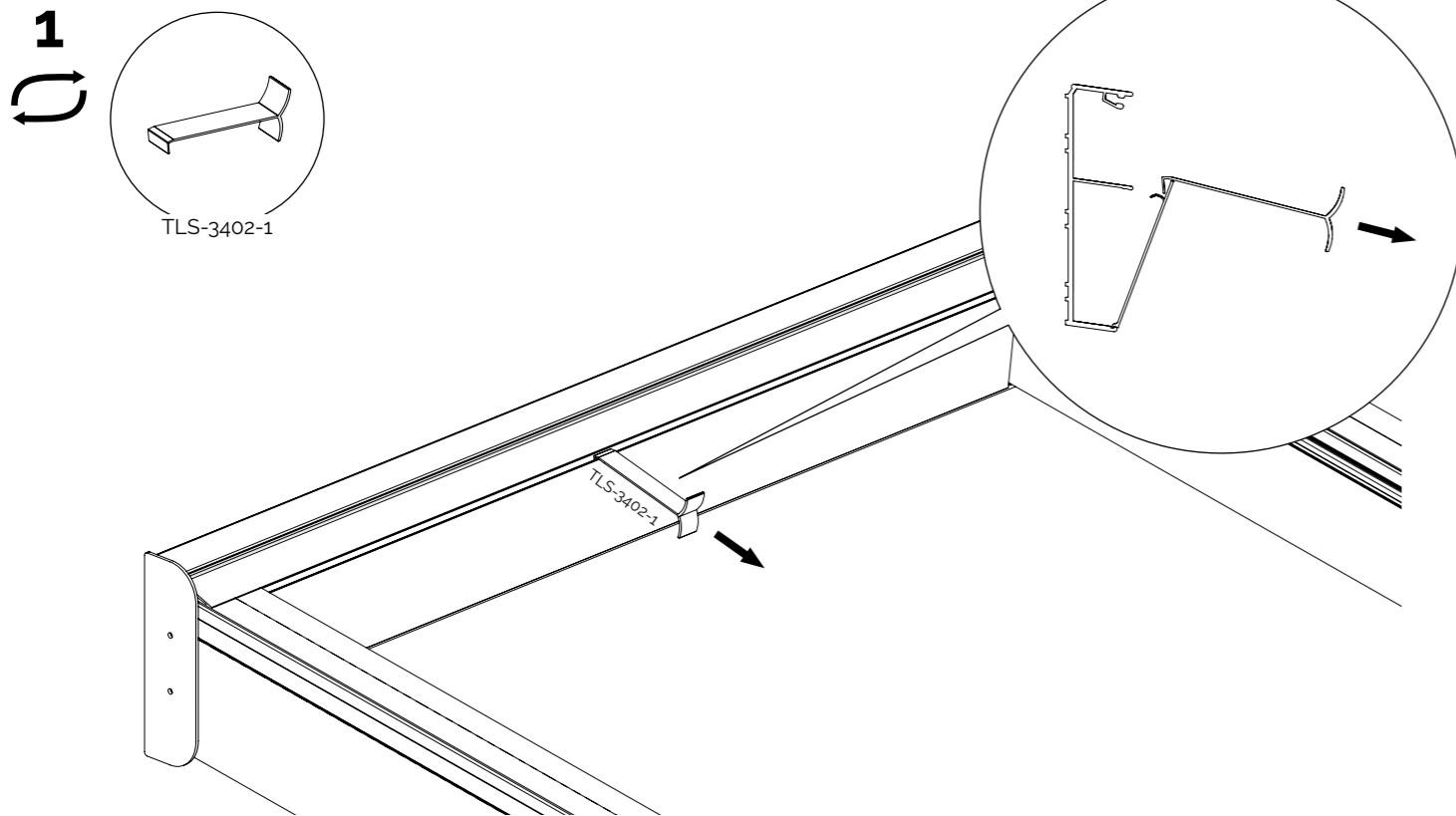
Attention! | Achtung! | Attention! | Let op! | Uwaga!



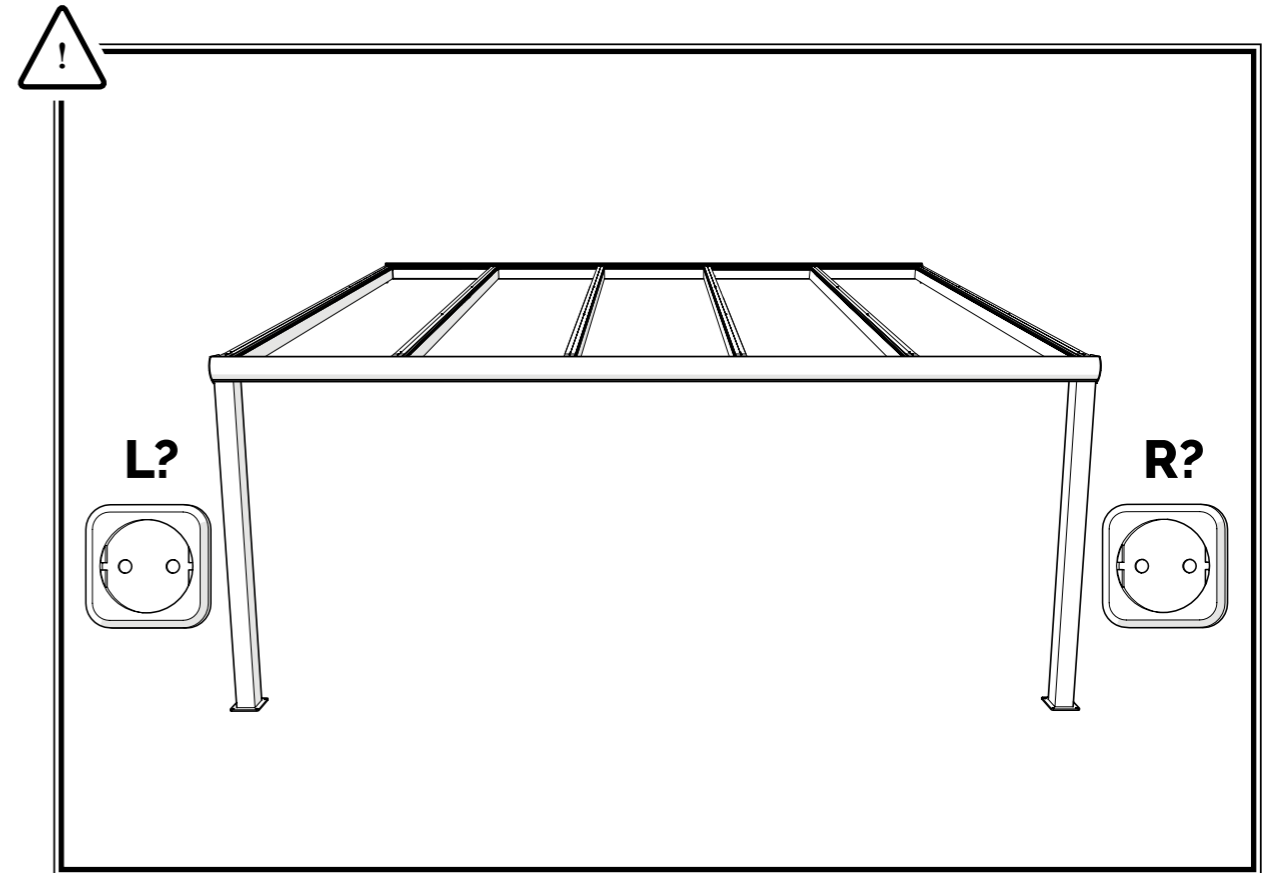
Correct | Richtig | Bien | Goed | Dobrze



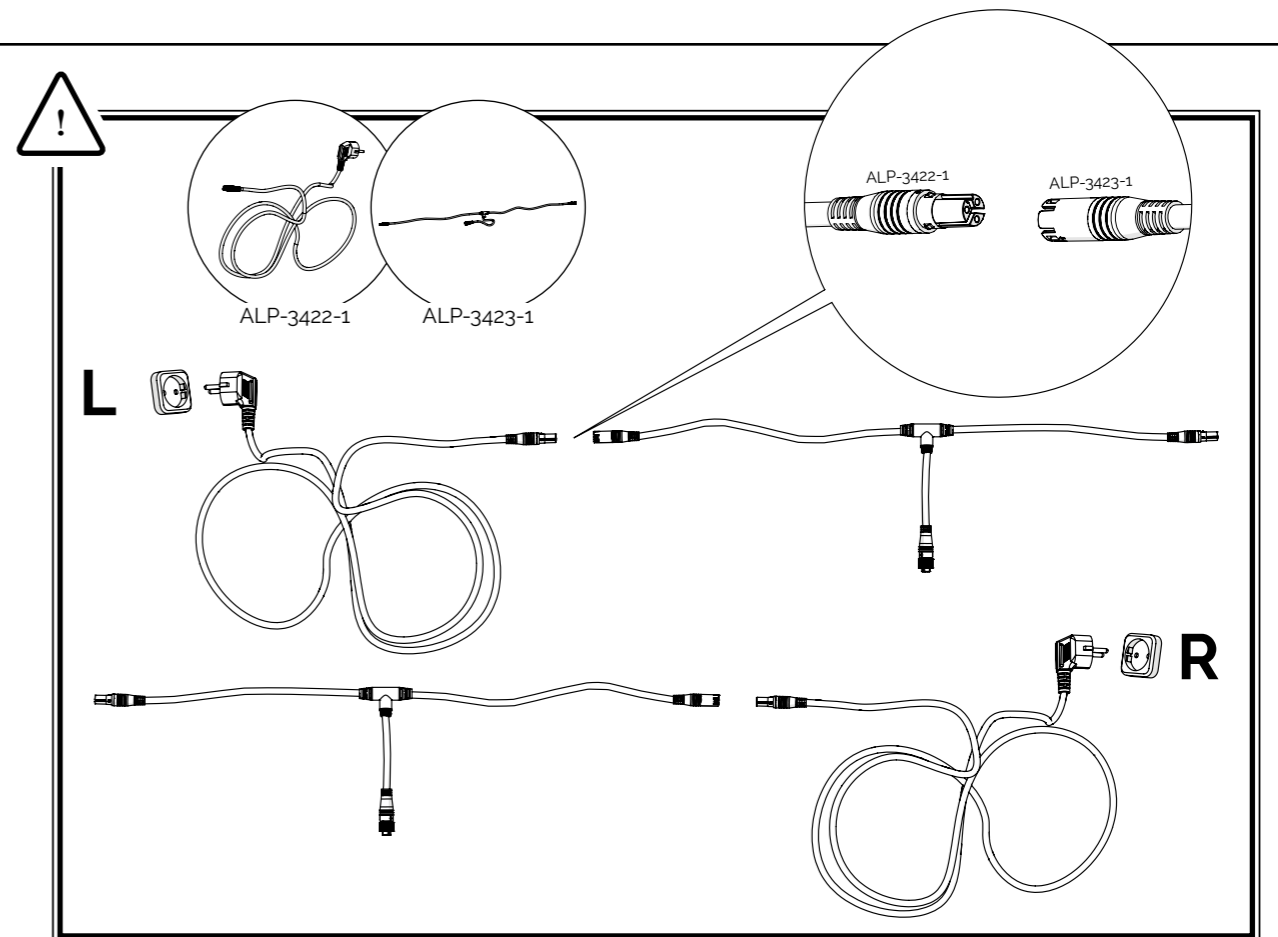
Wrong | Falsch | Erreur | Fout | Źle



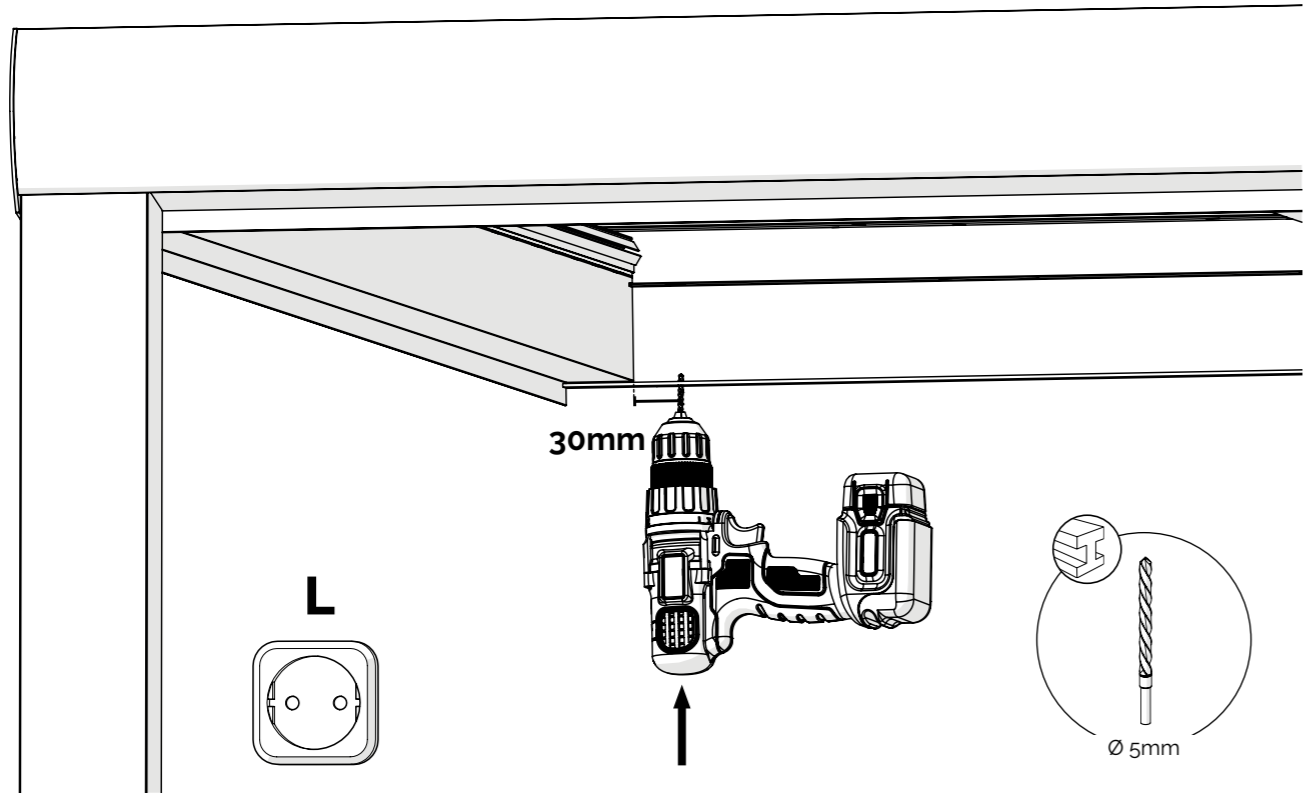
2



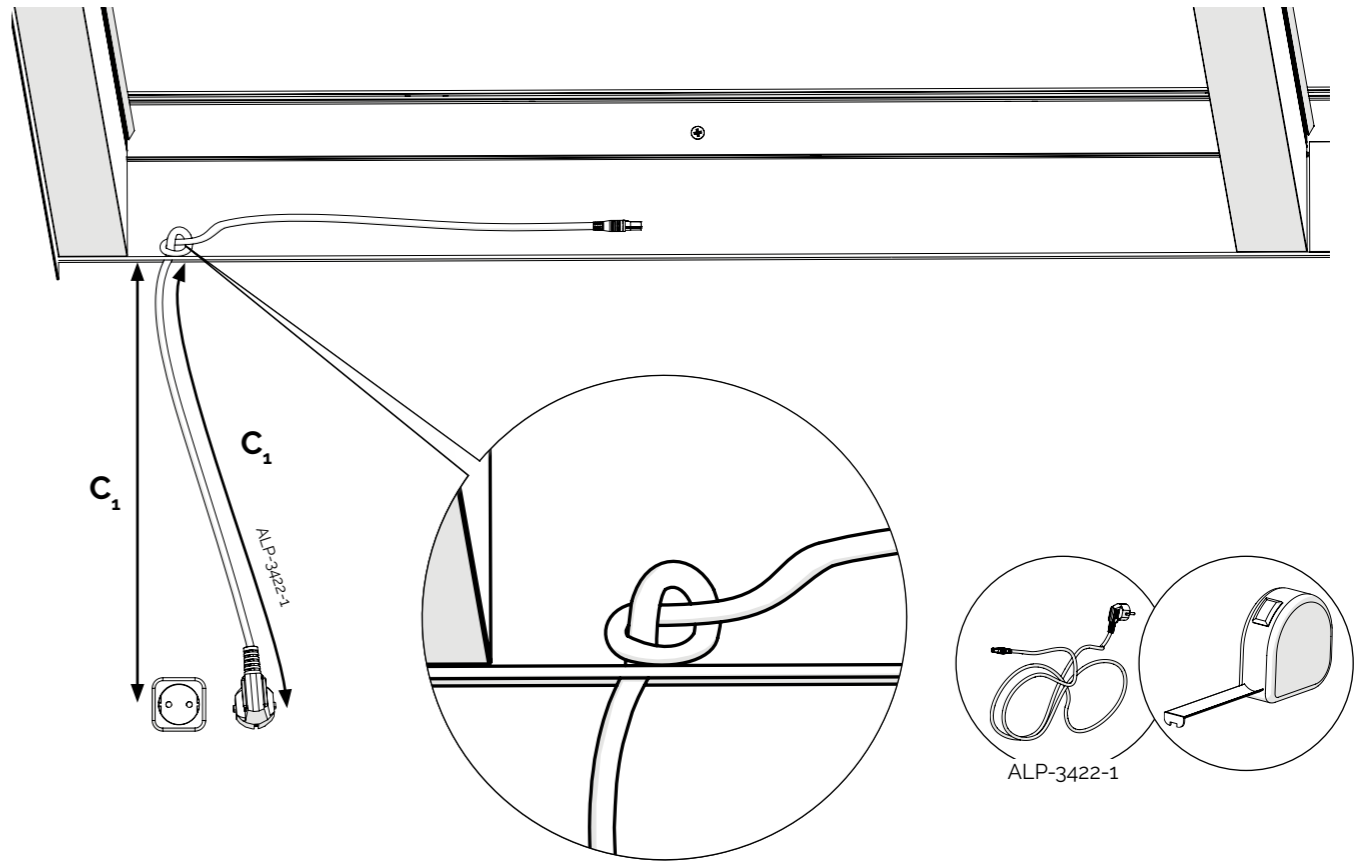
3



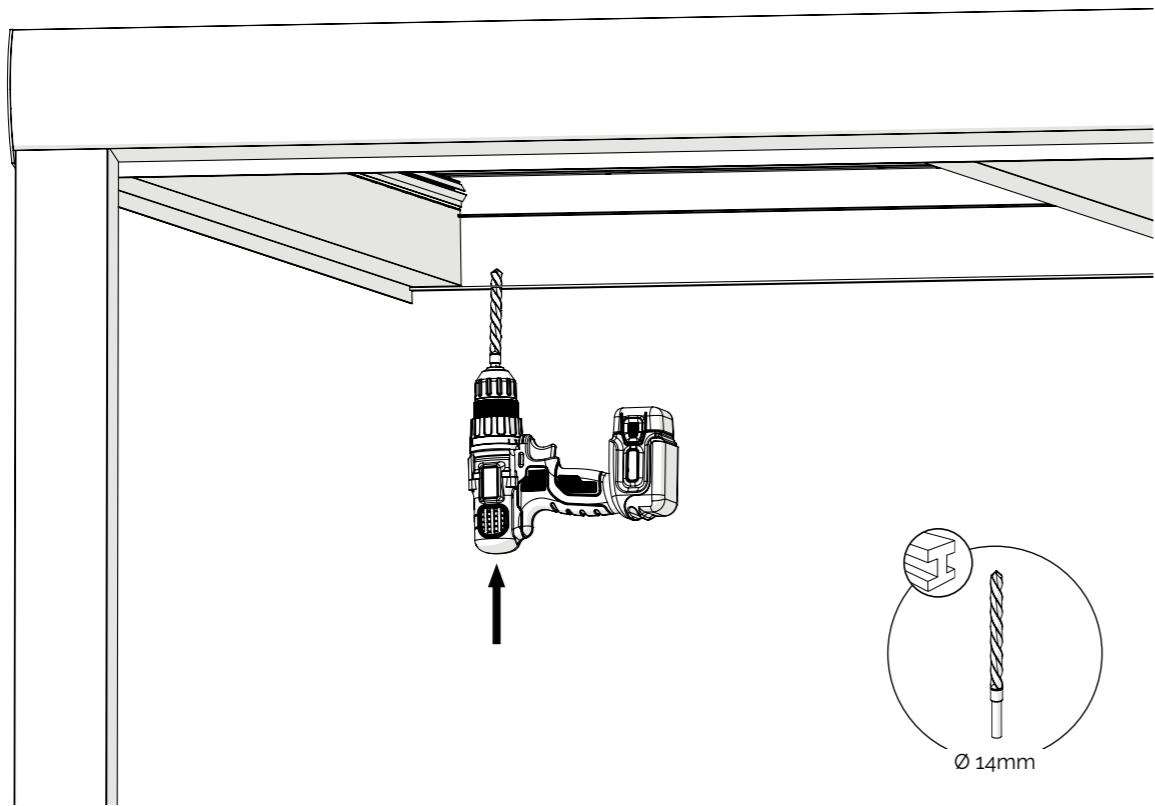
4



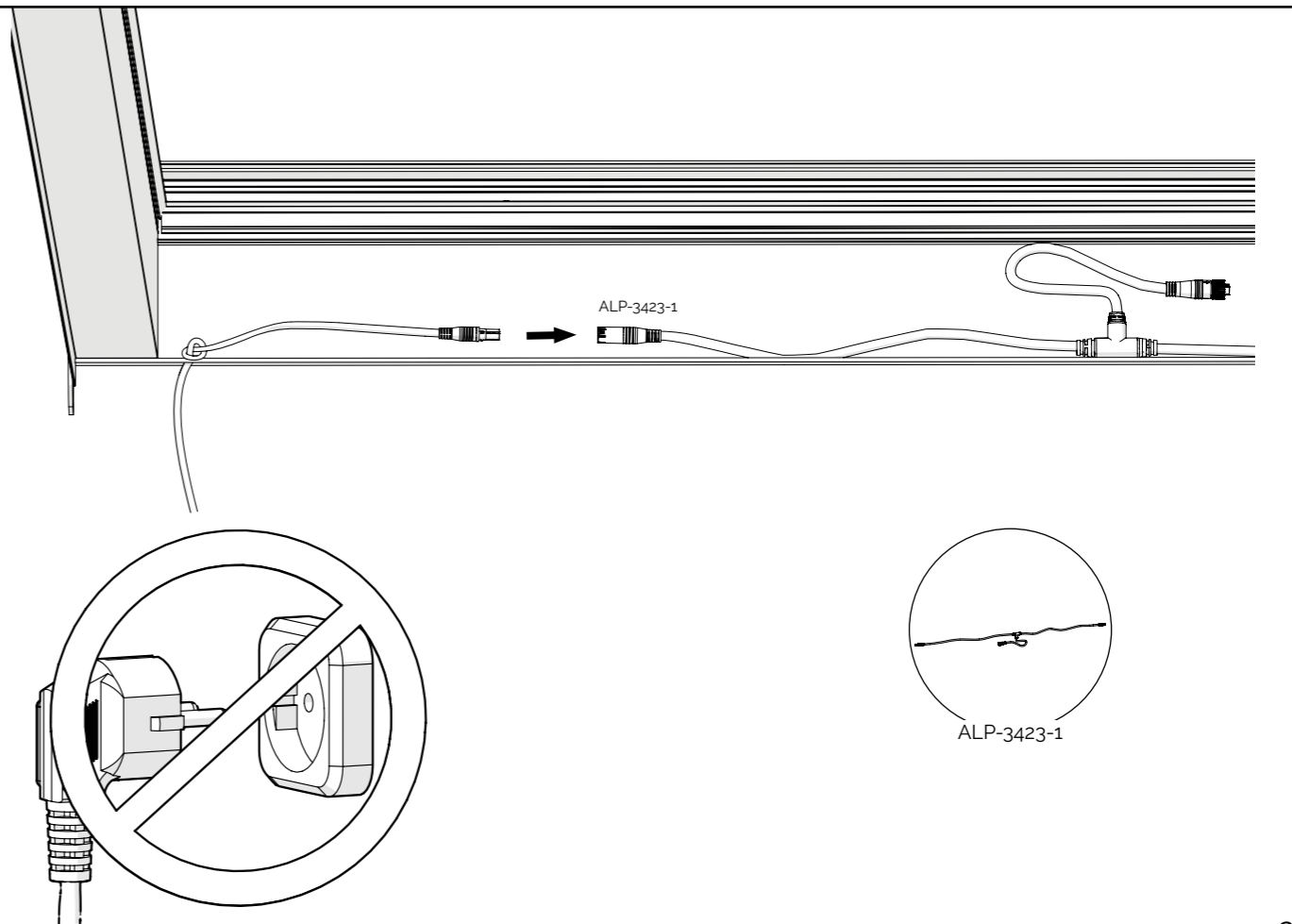
6



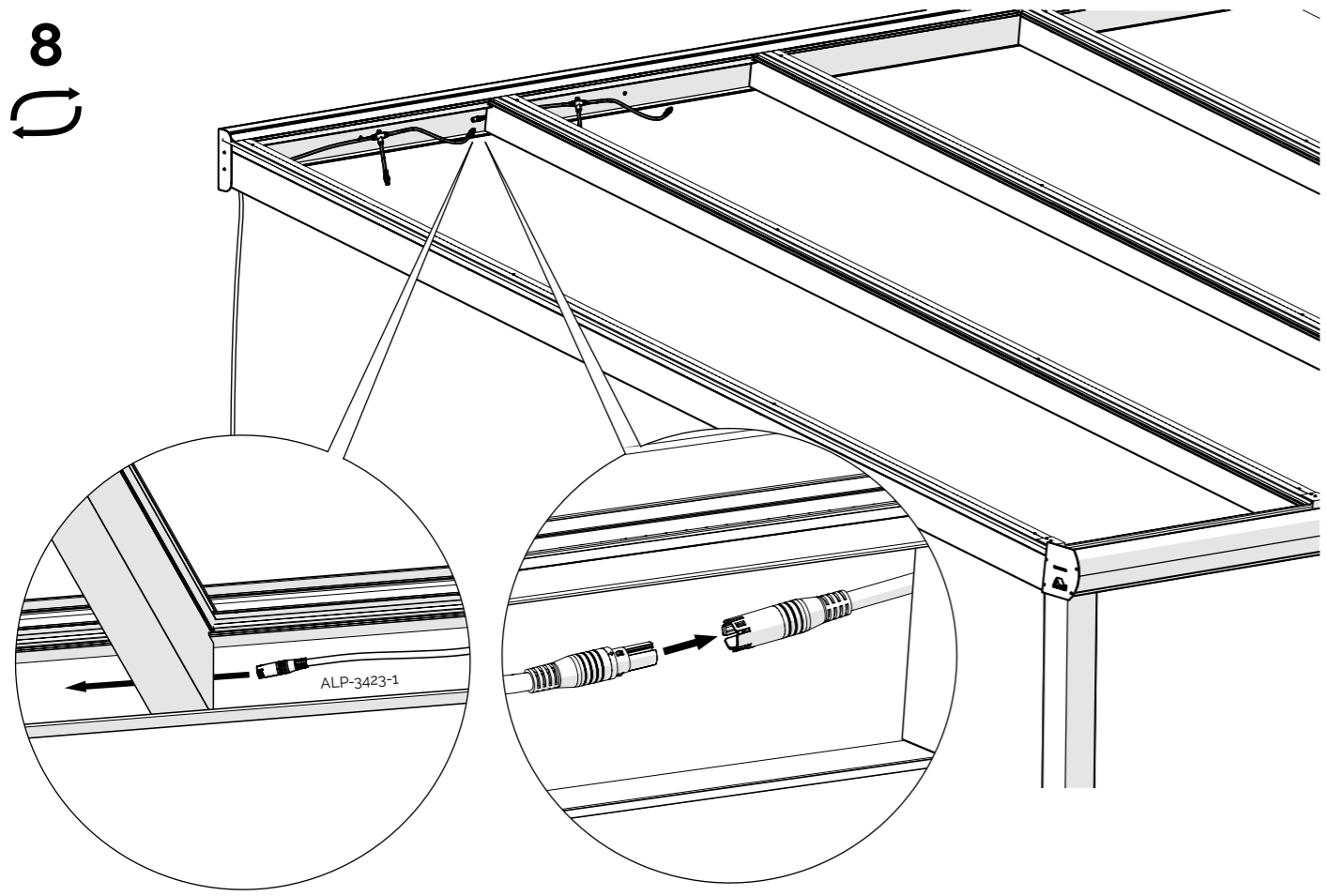
5



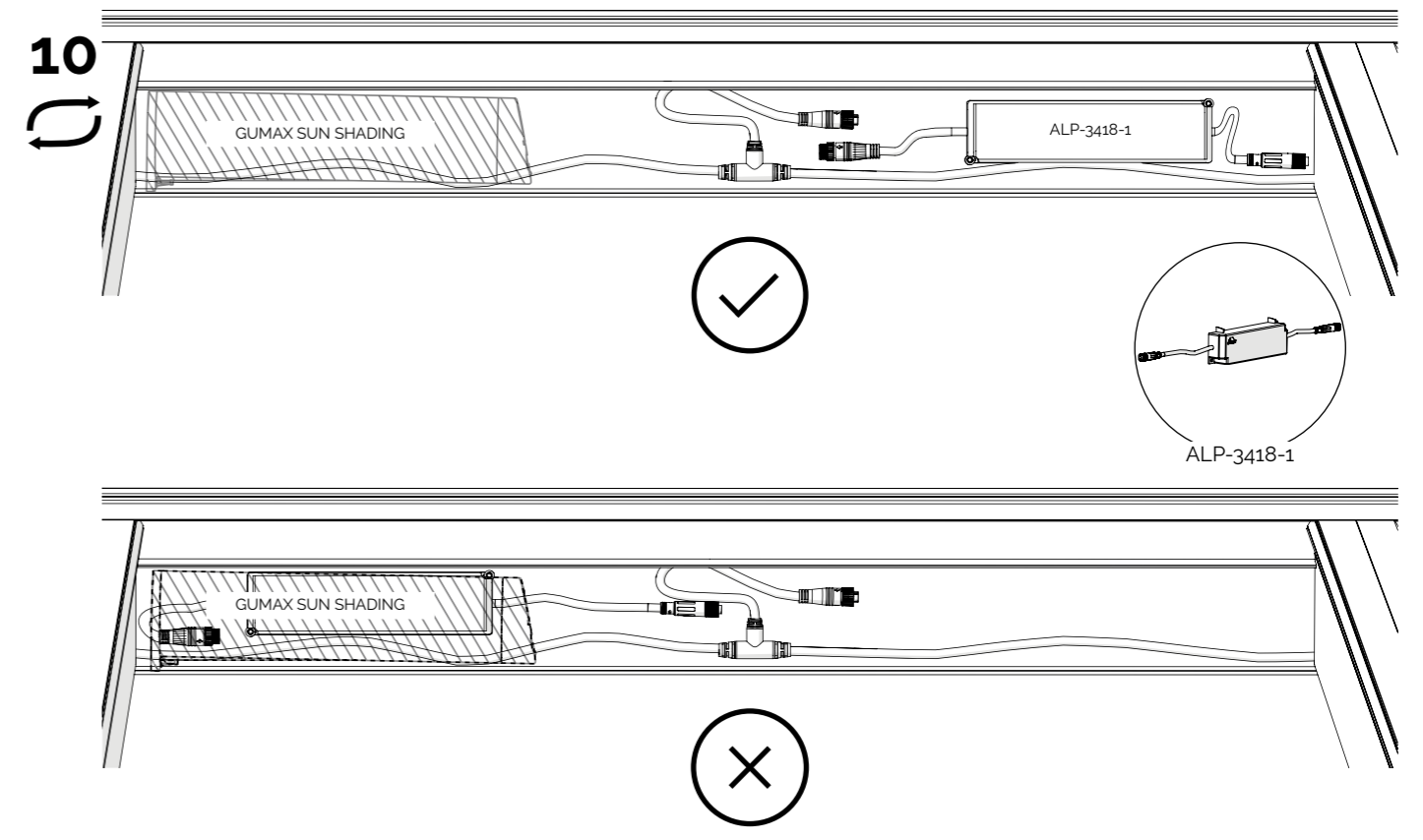
7



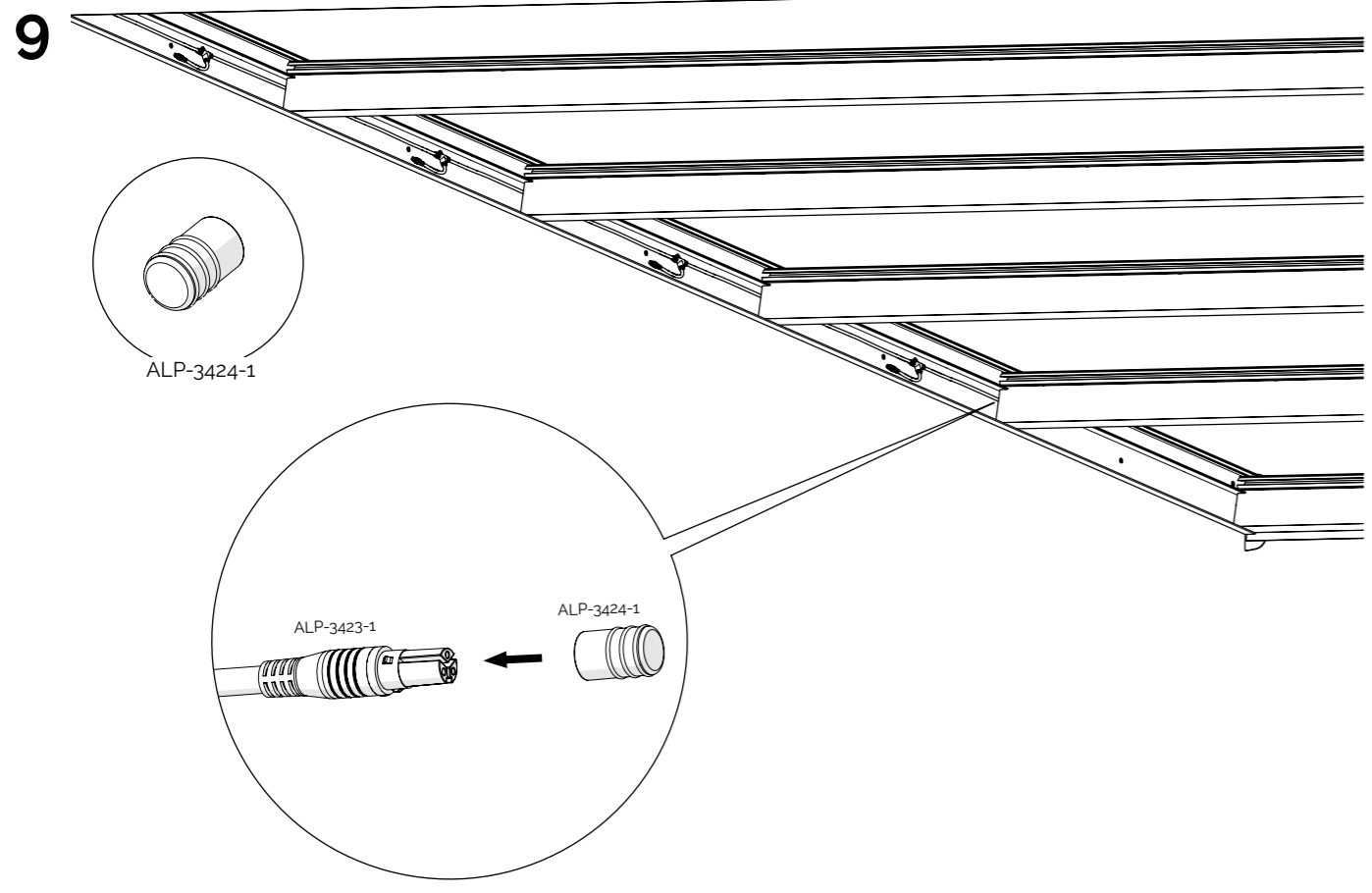
8



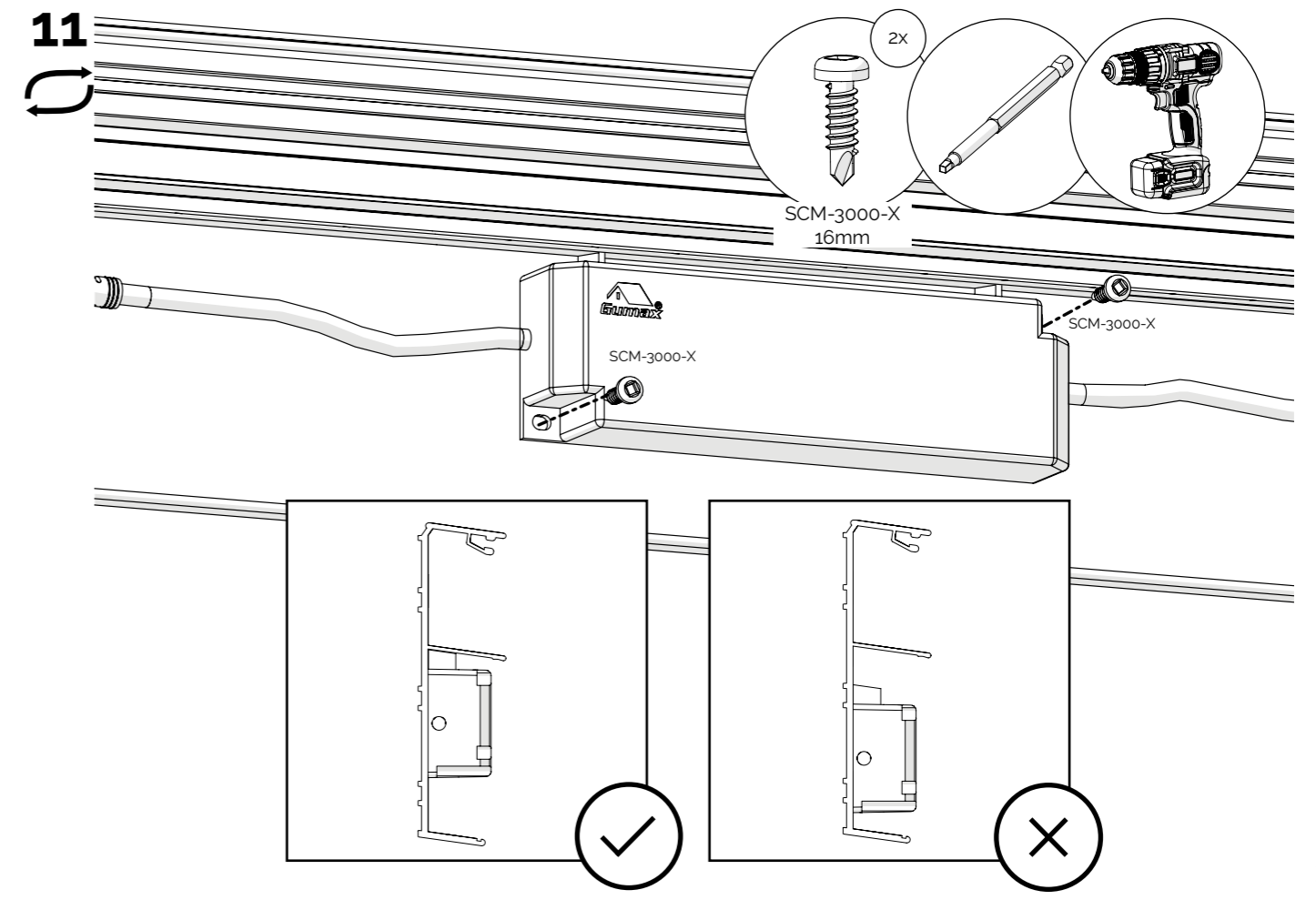
10



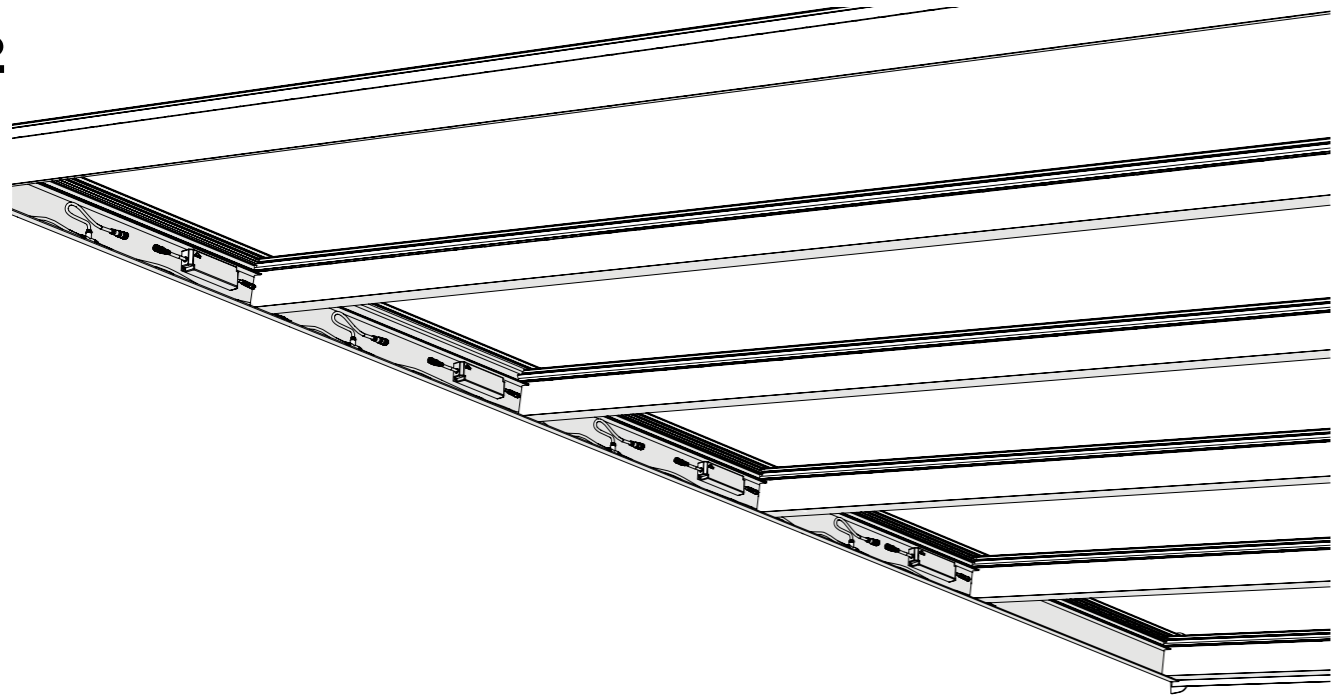
9



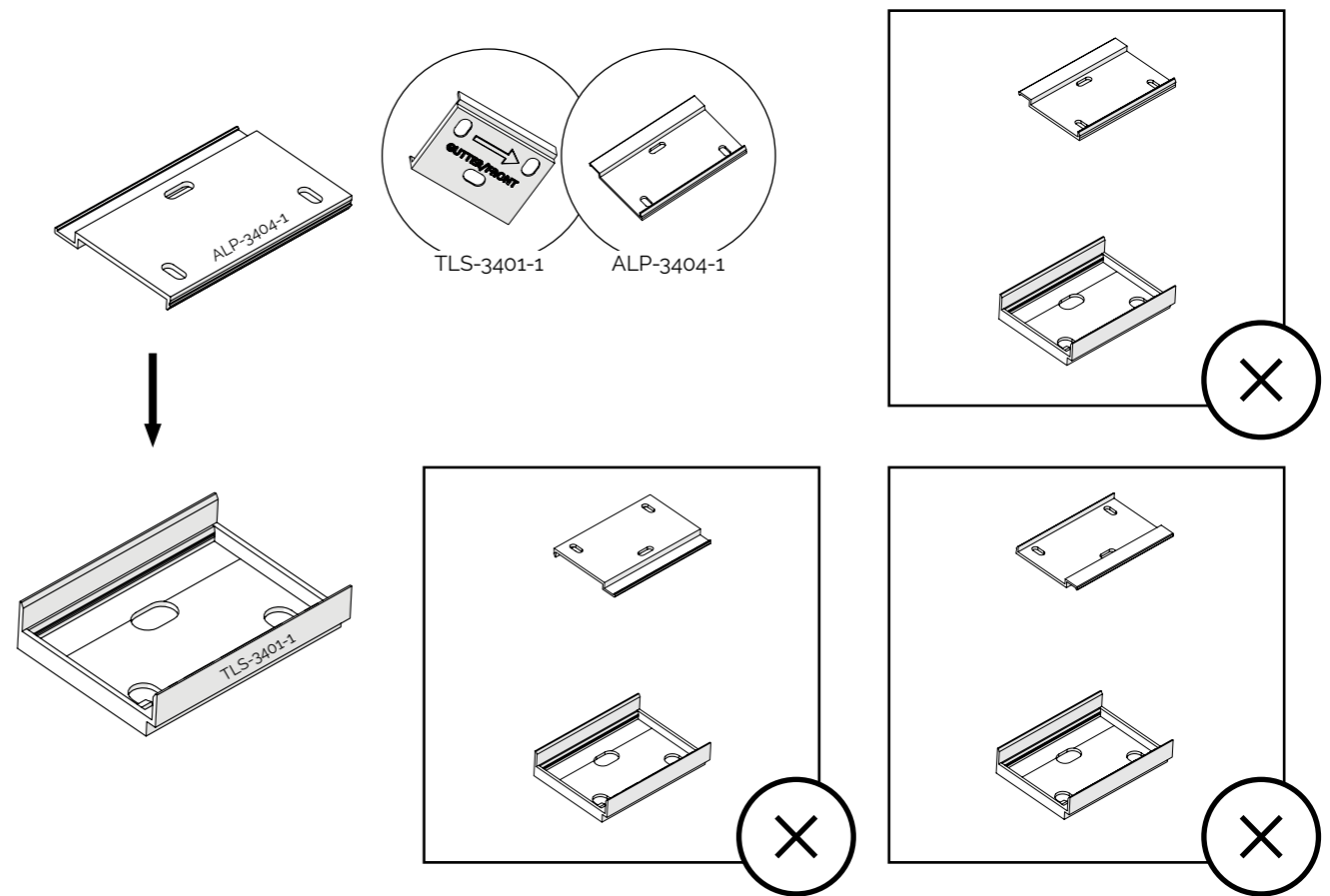
11



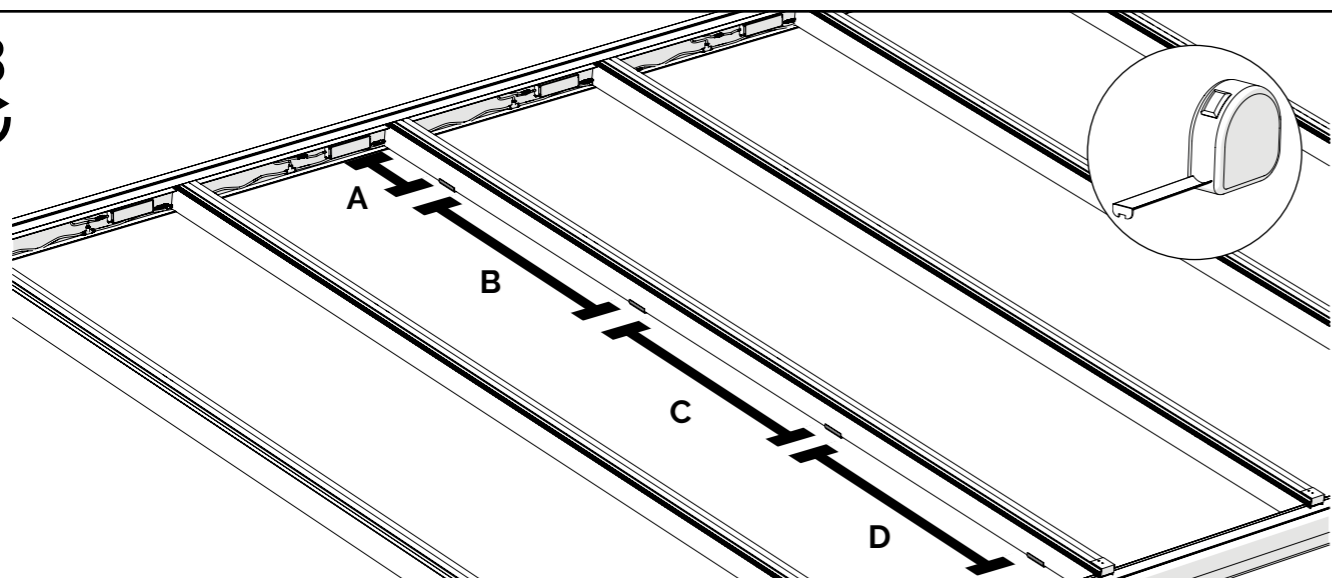
12



14

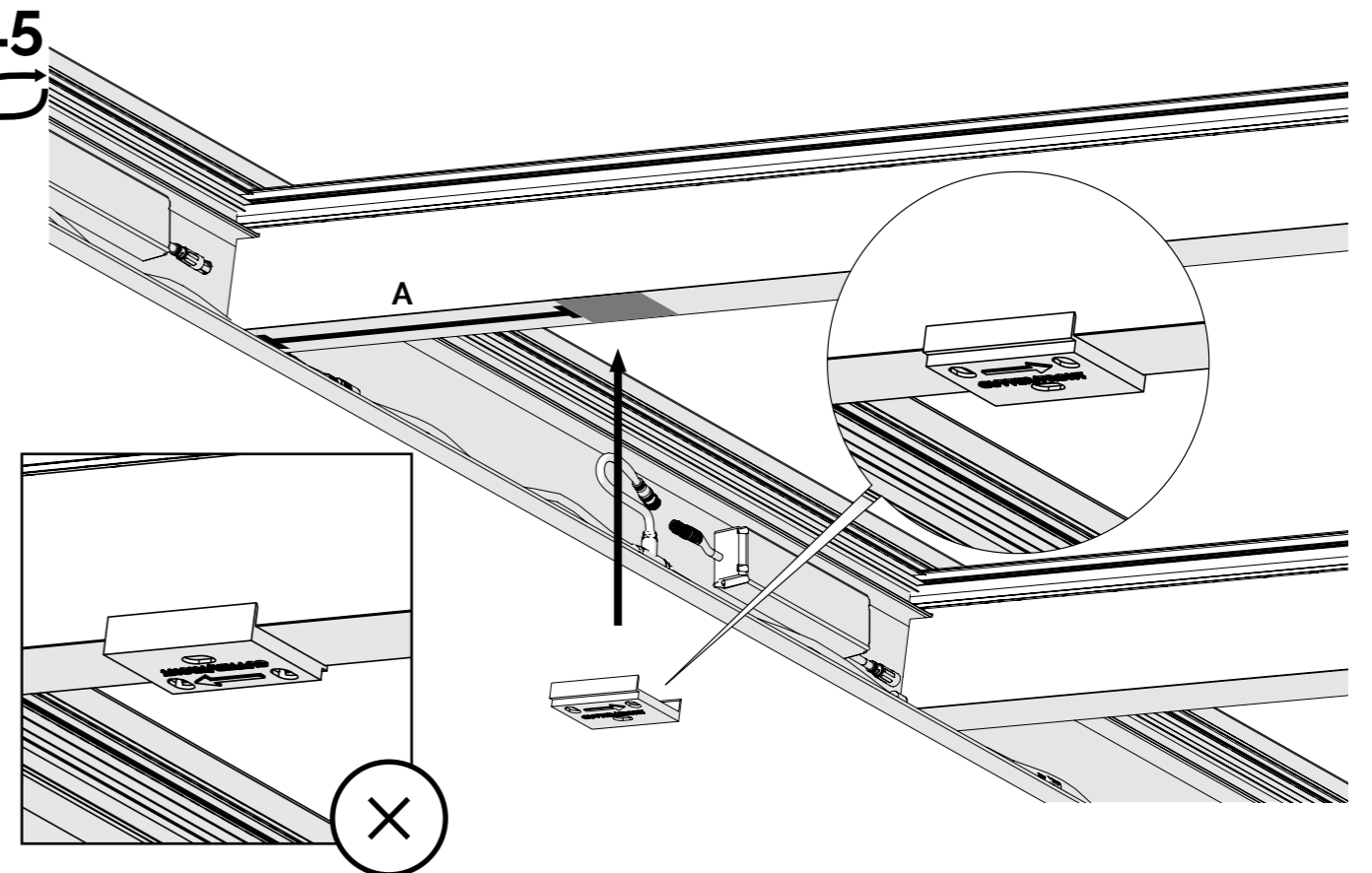


13

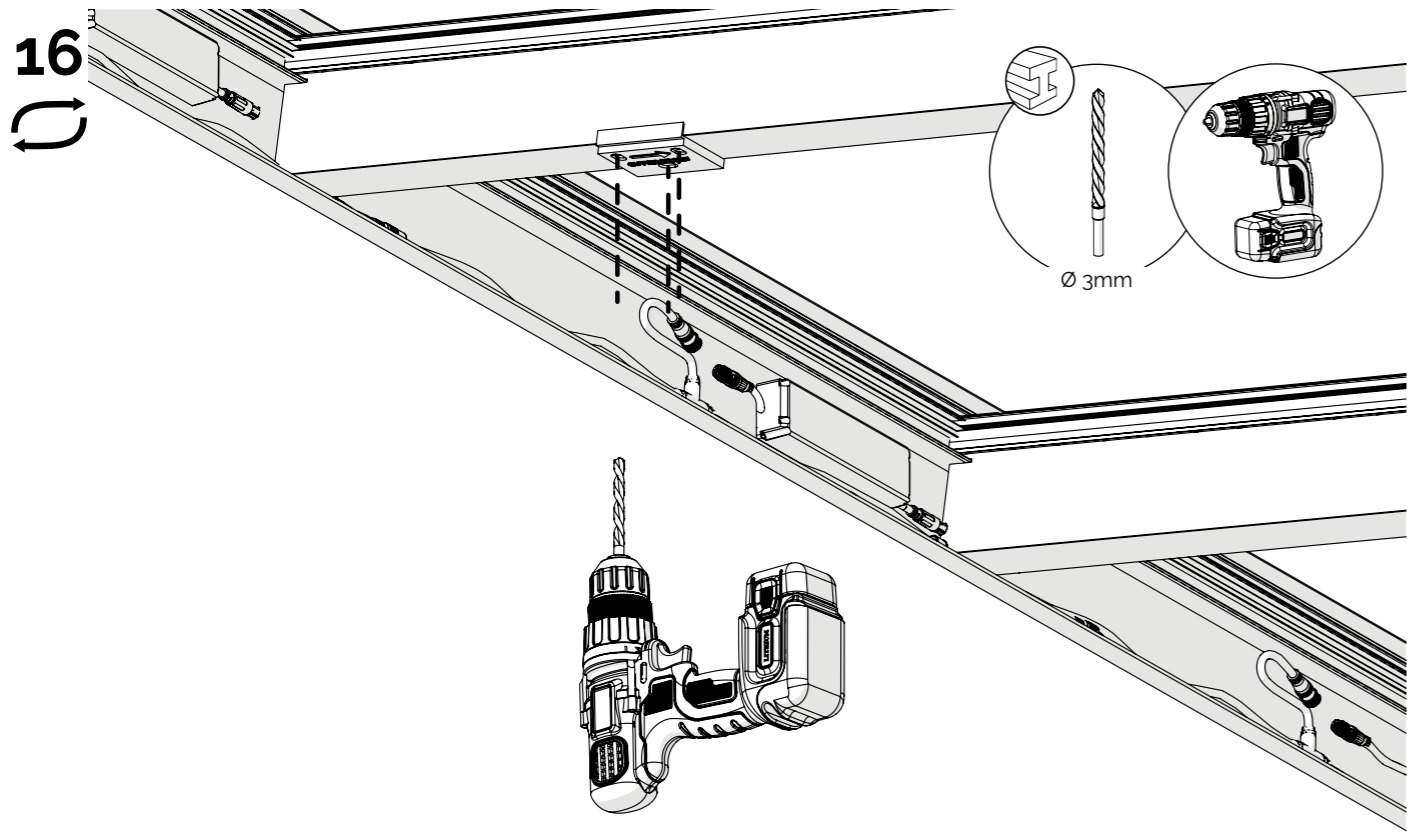


L	A	B	C	D	E
2,50m	300mm	550mm	405mm	550mm	x
3,00m	300mm	670mm	670mm	670mm	x
3,50m	300mm	605mm	605mm	605mm	605mm
4,00m	300mm	730mm	730mm	730mm	730mm

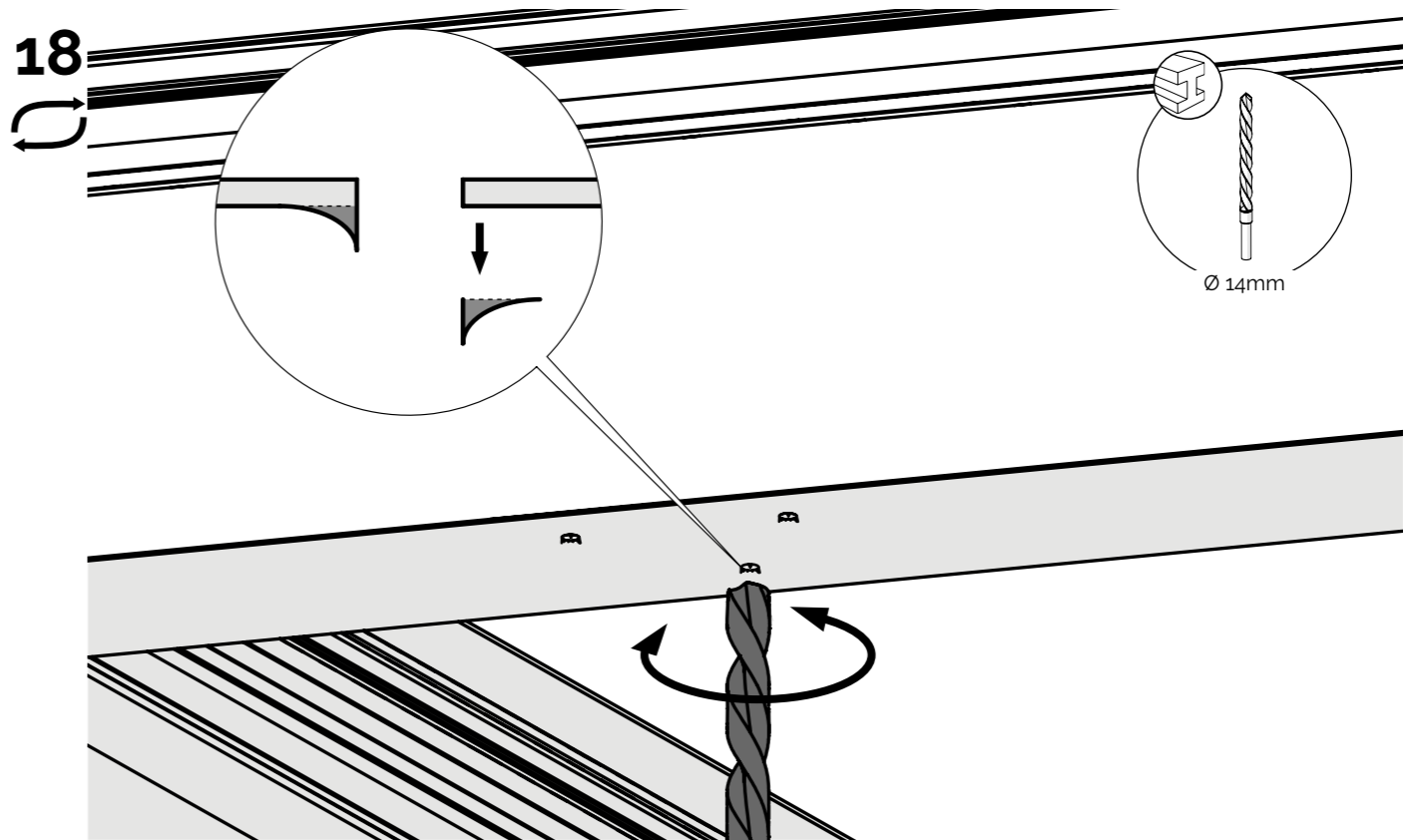
15



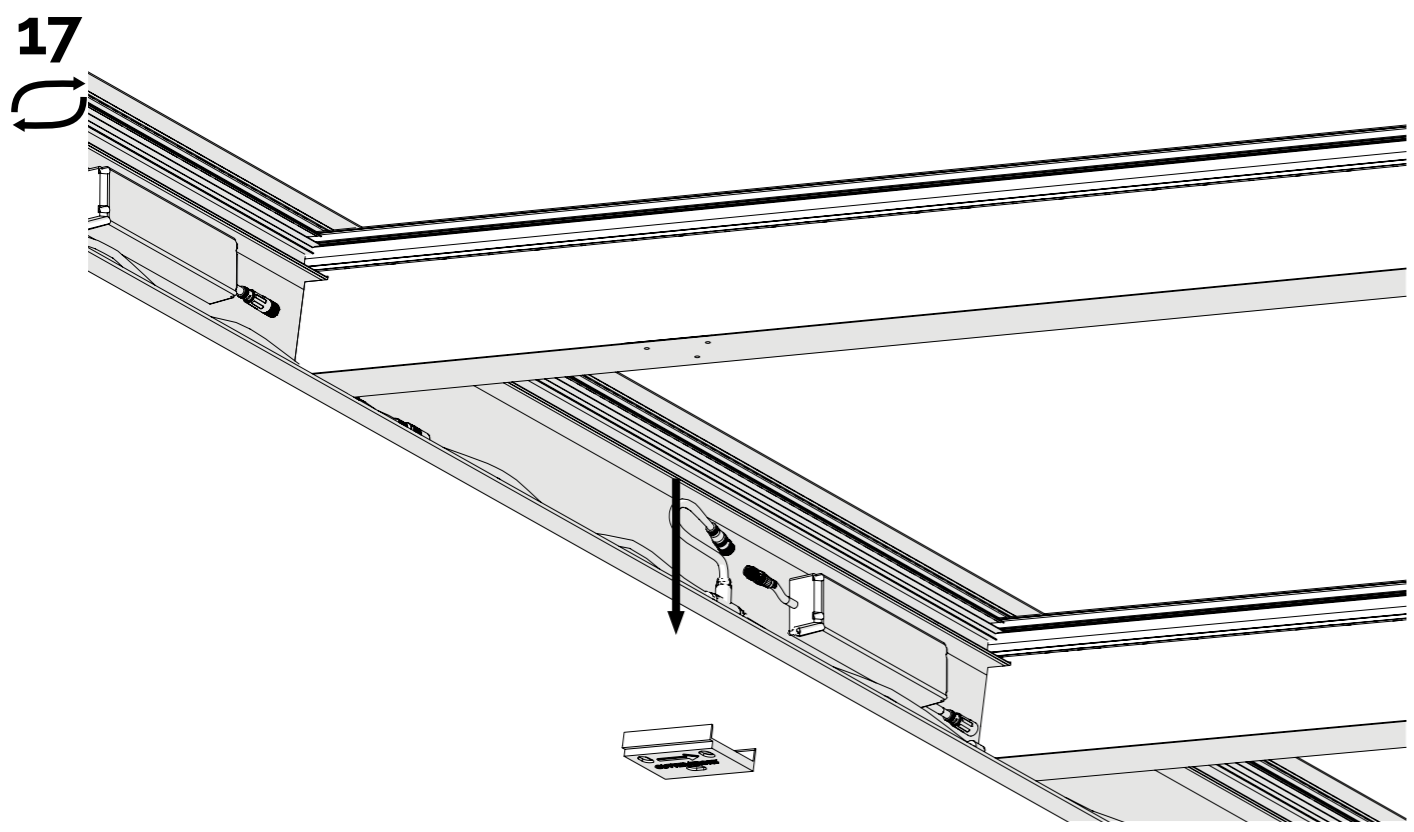
16



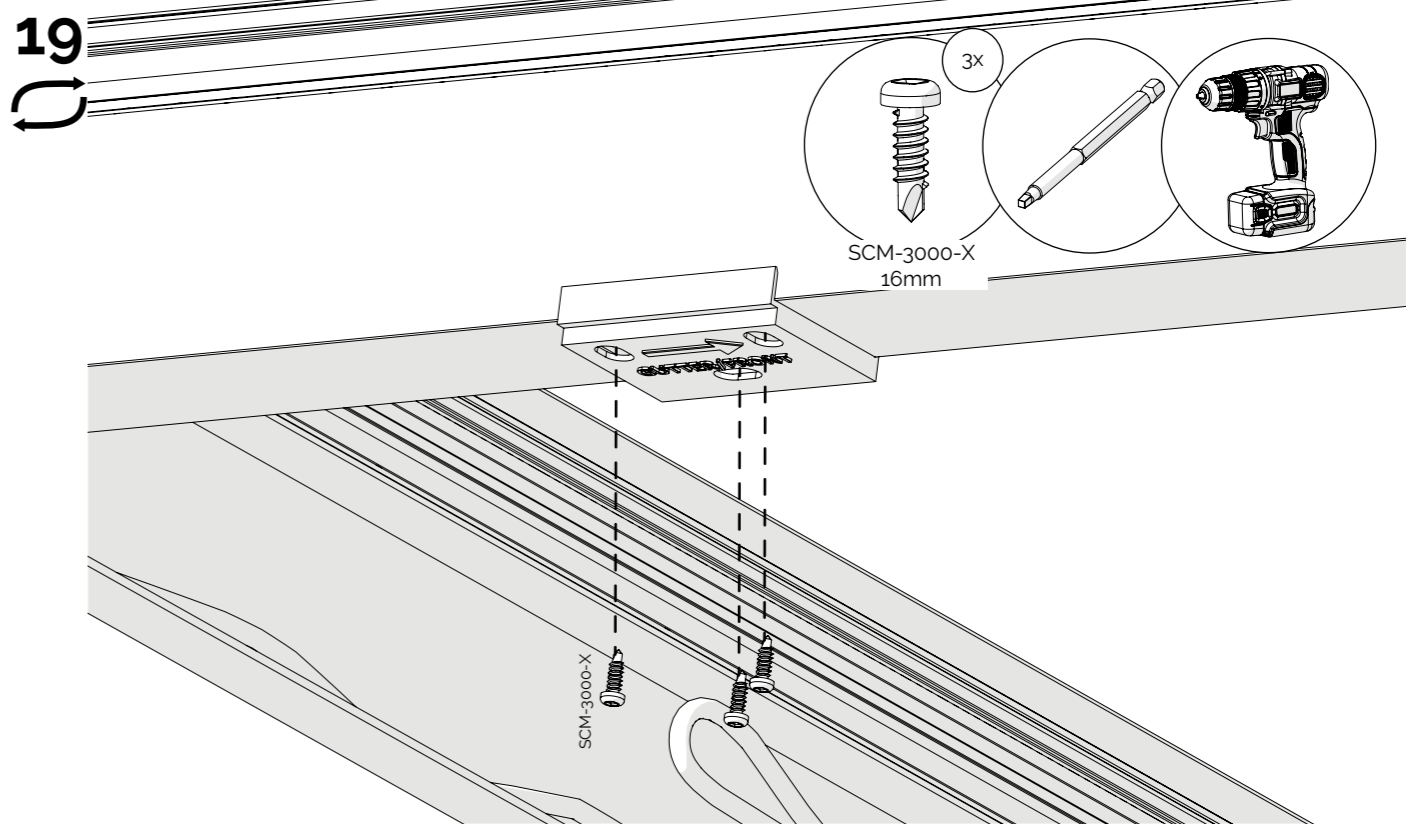
18



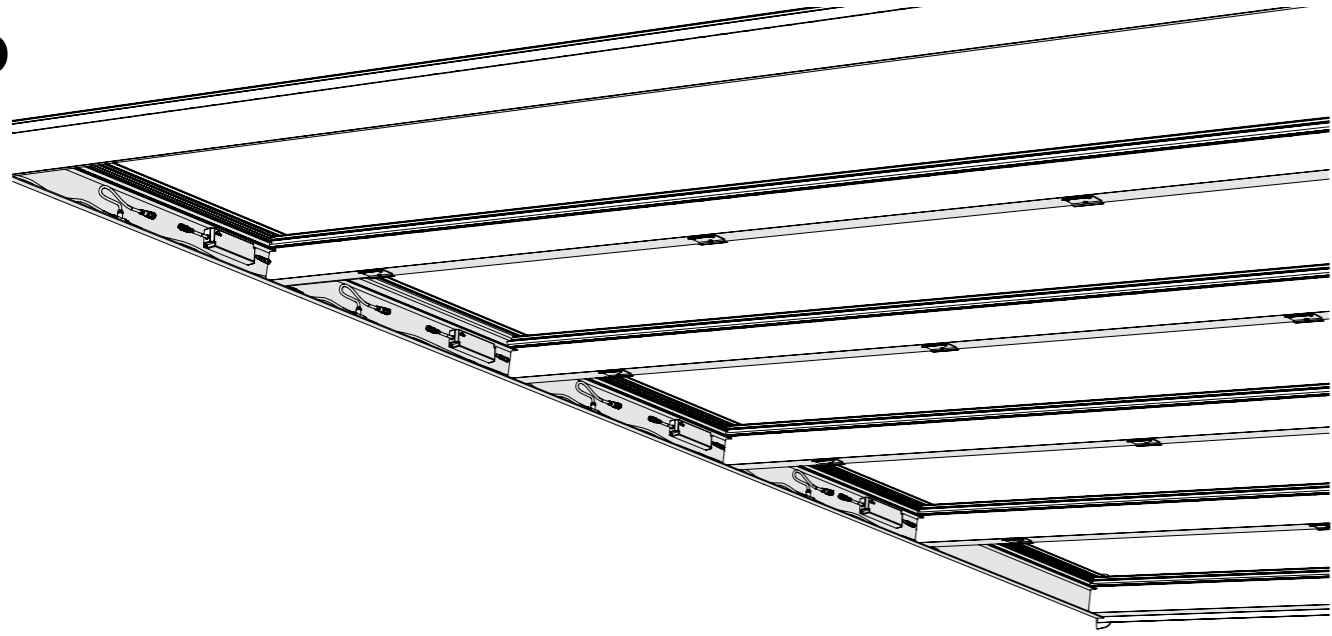
17



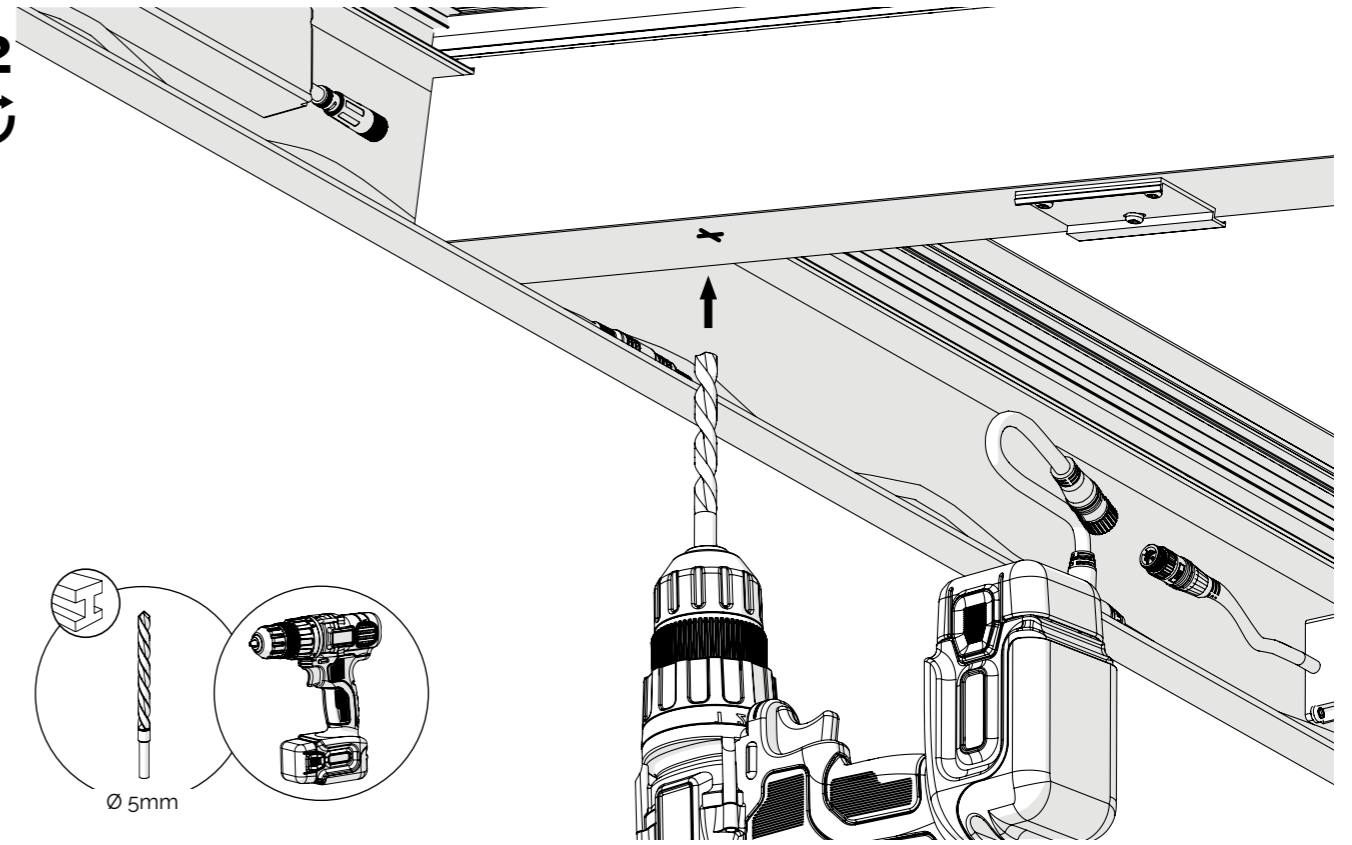
19



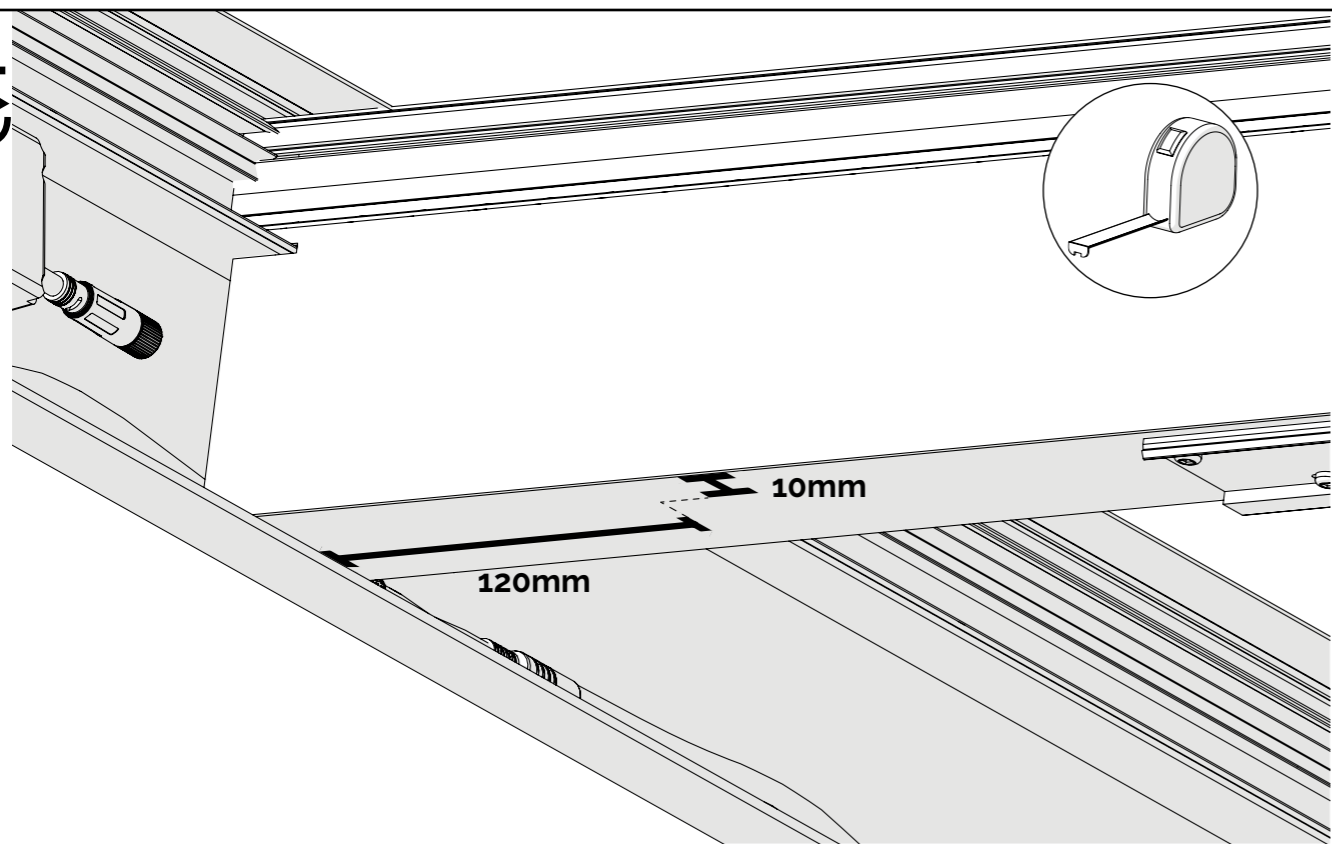
20



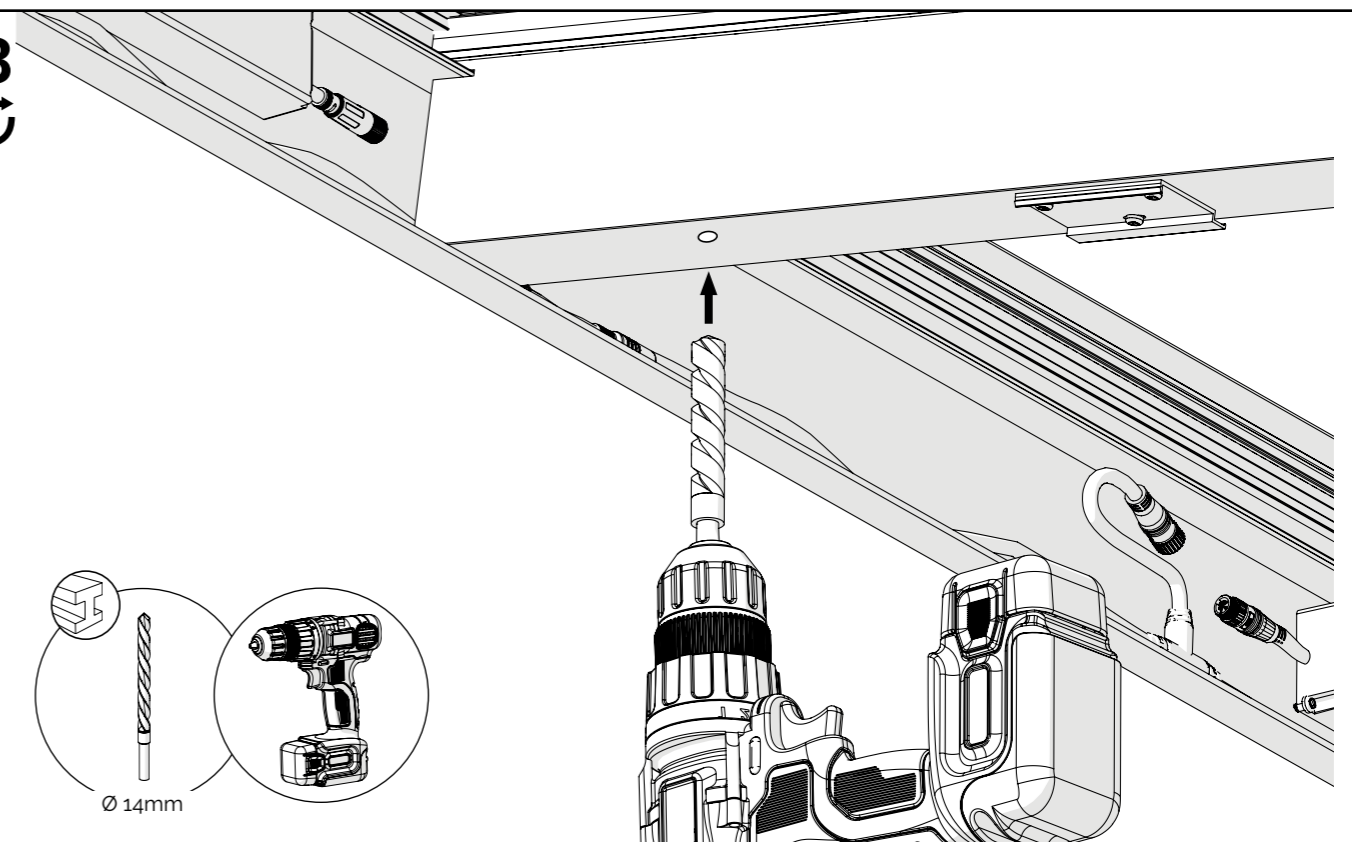
22



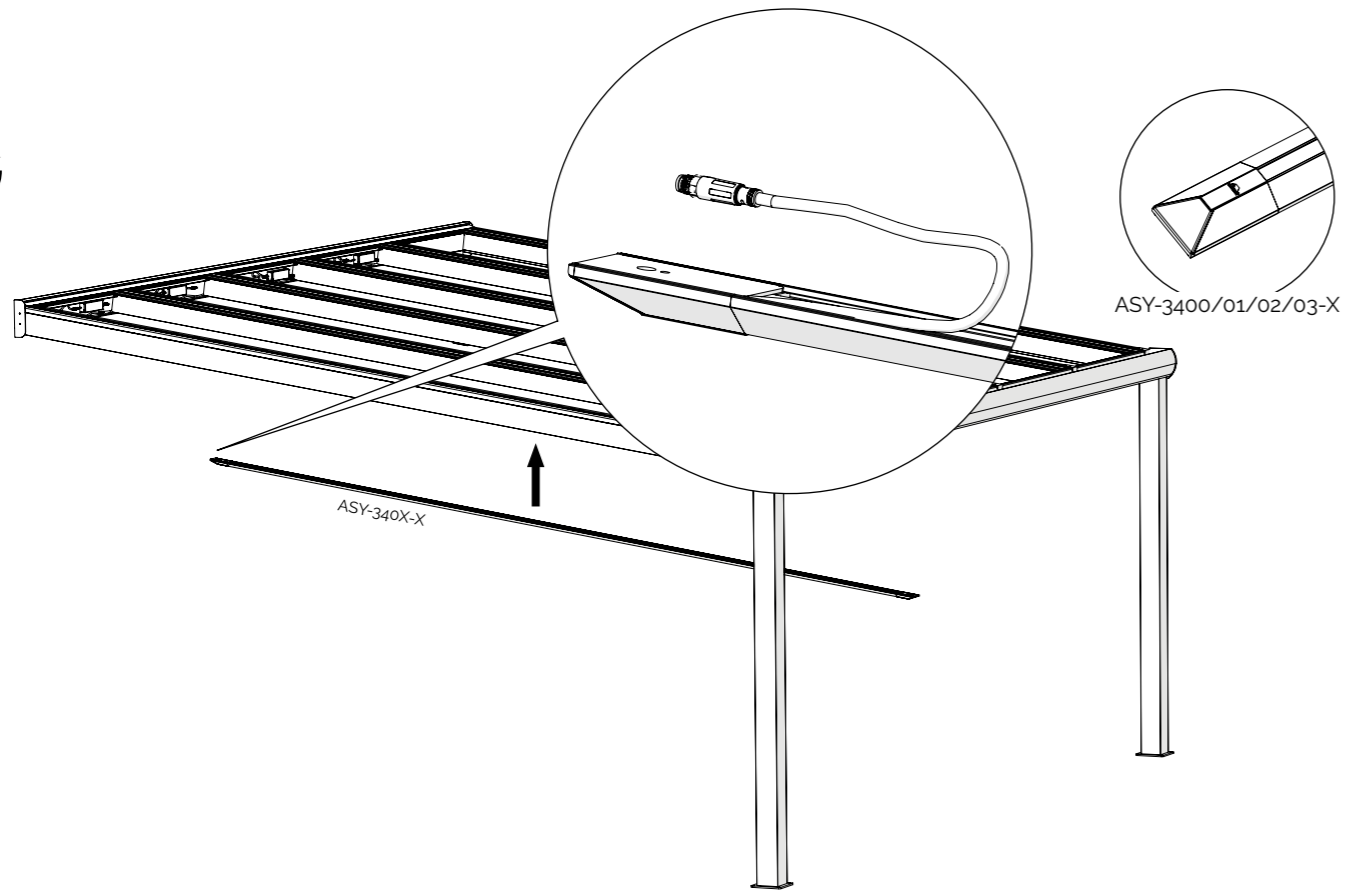
21



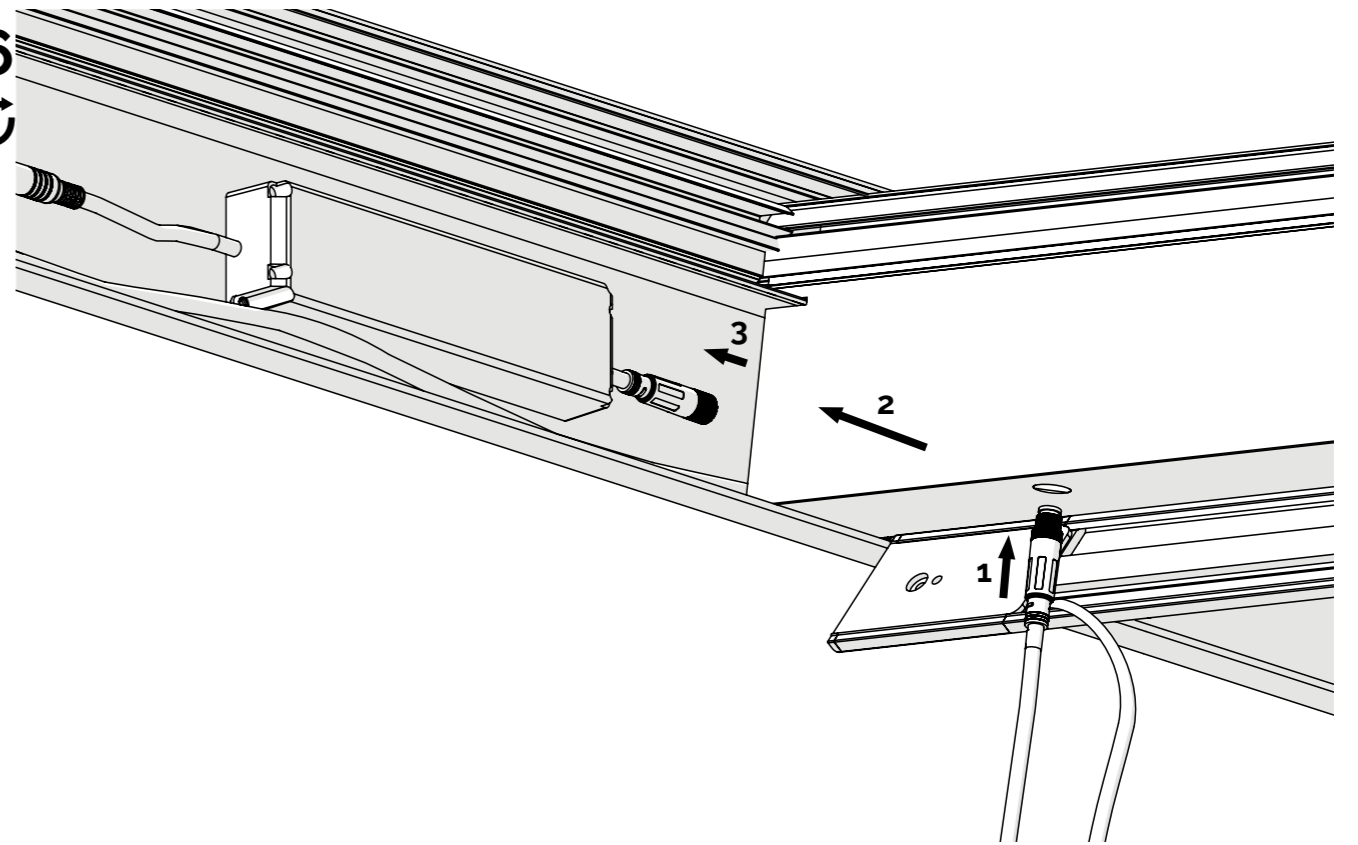
23



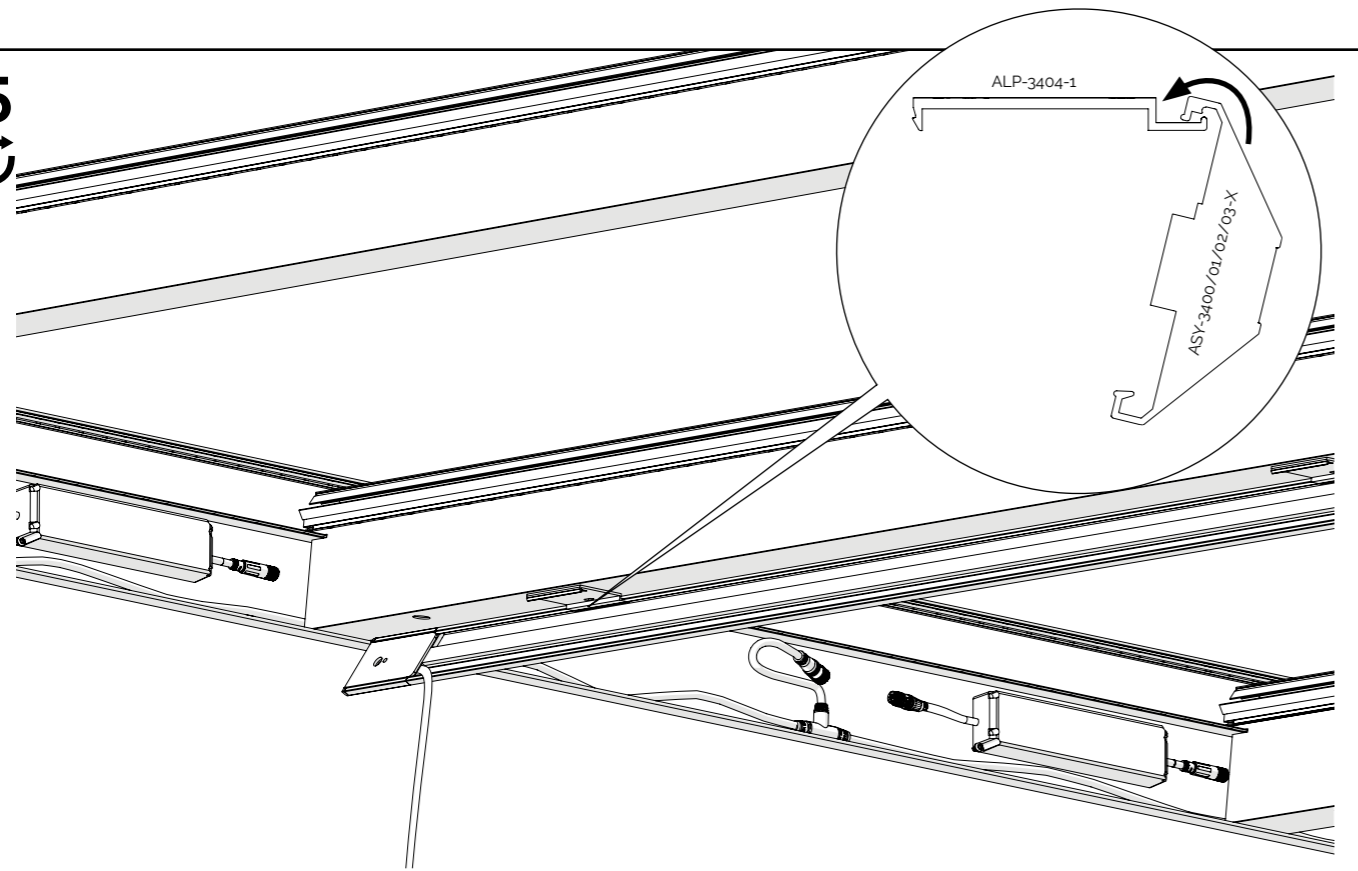
24



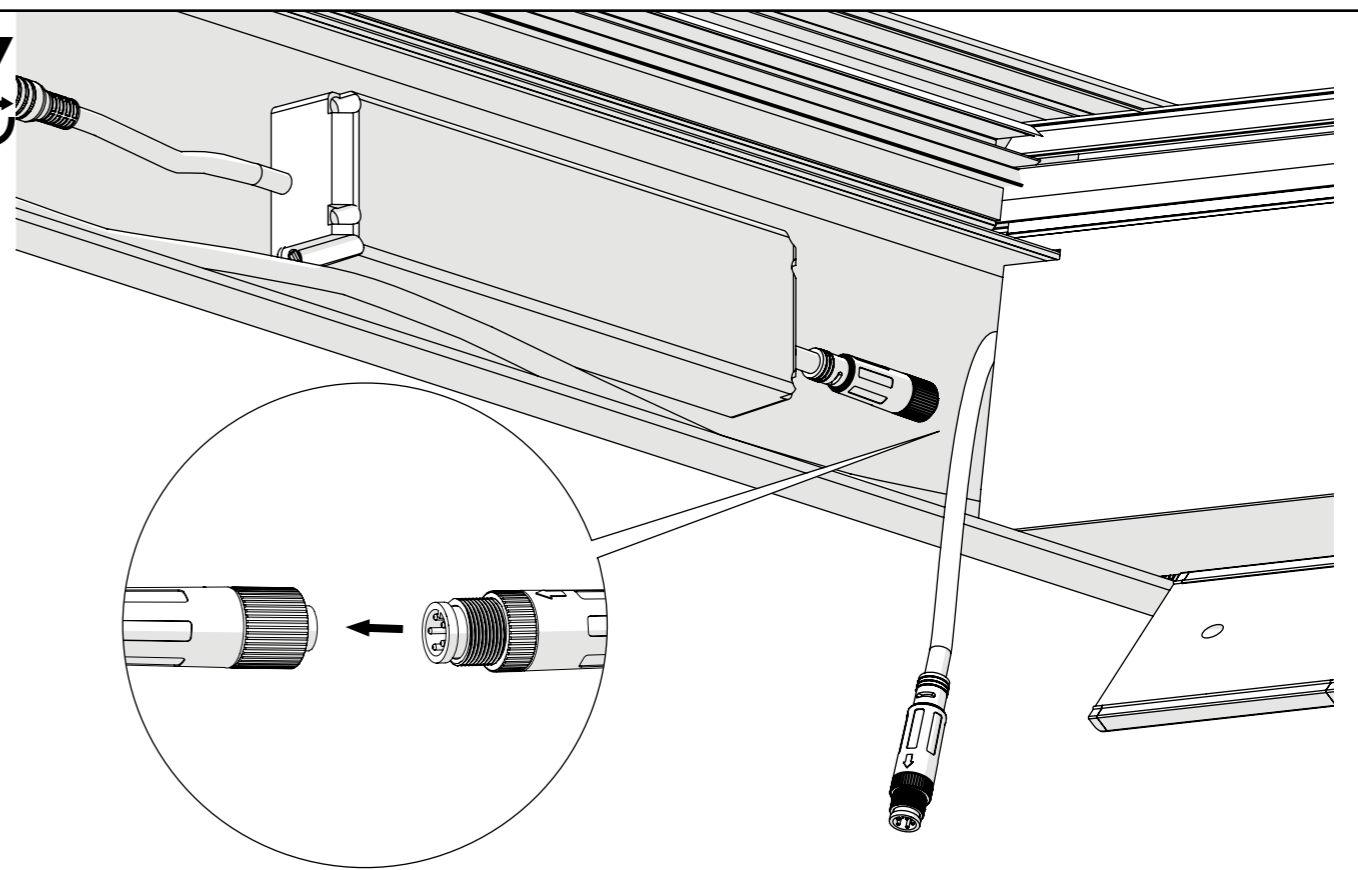
26



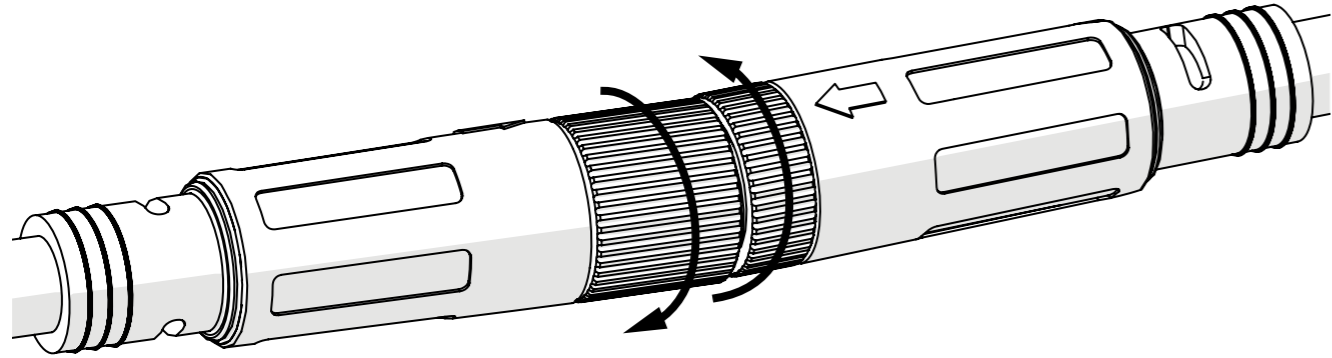
25



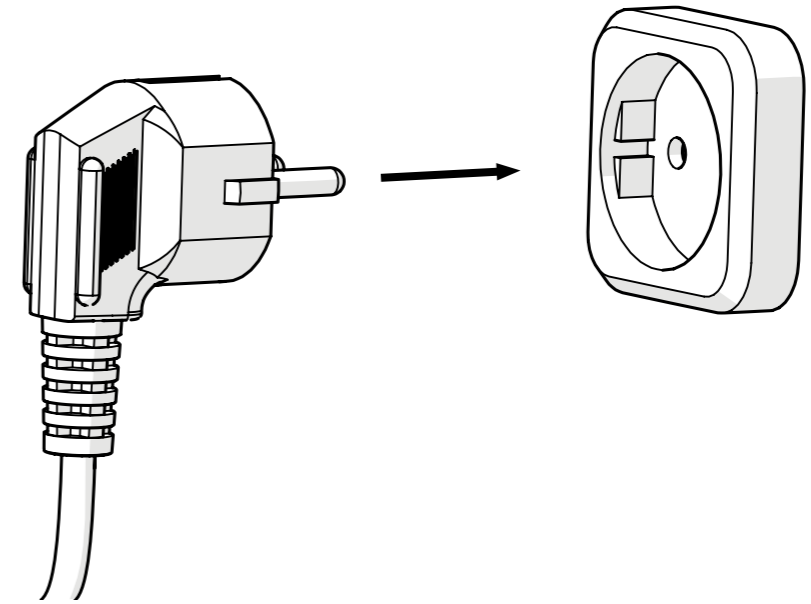
27



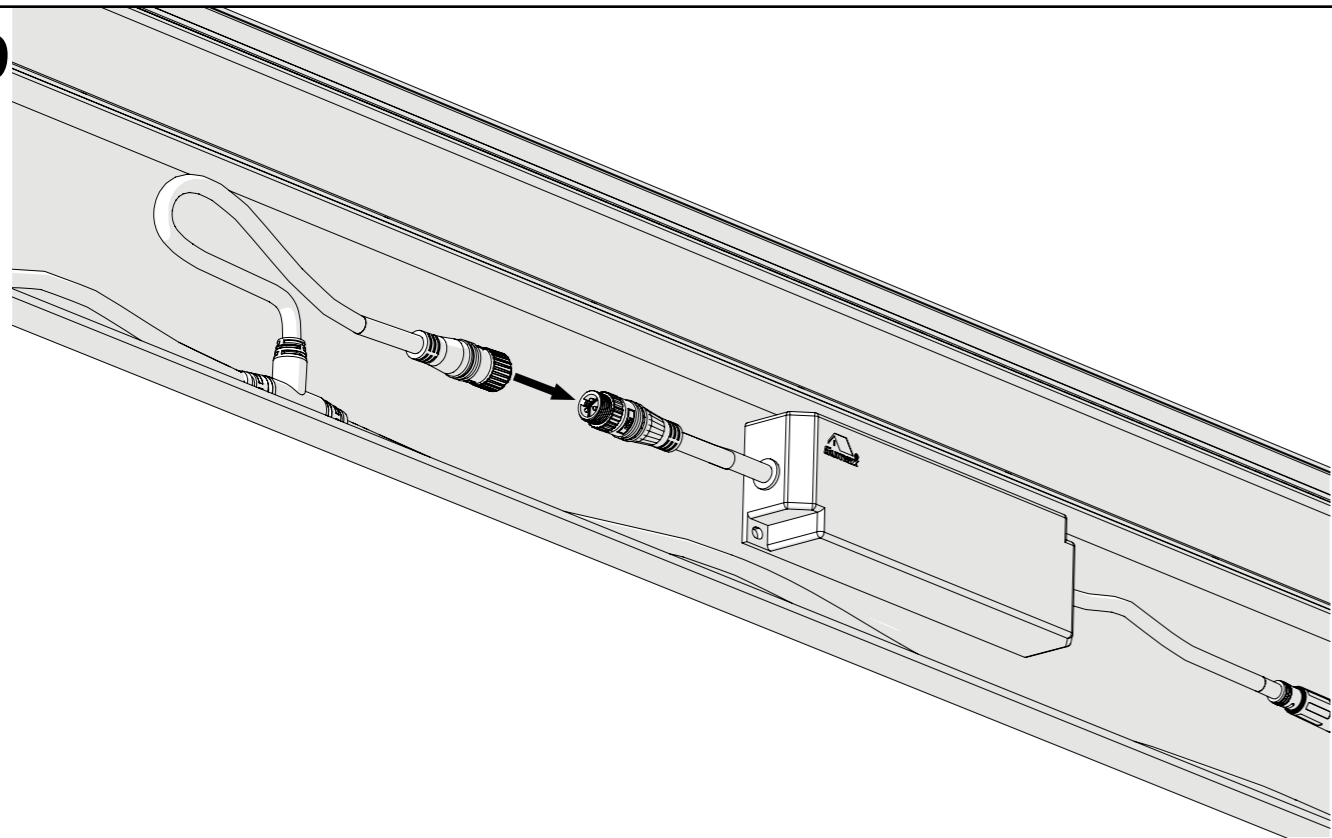
28
↻



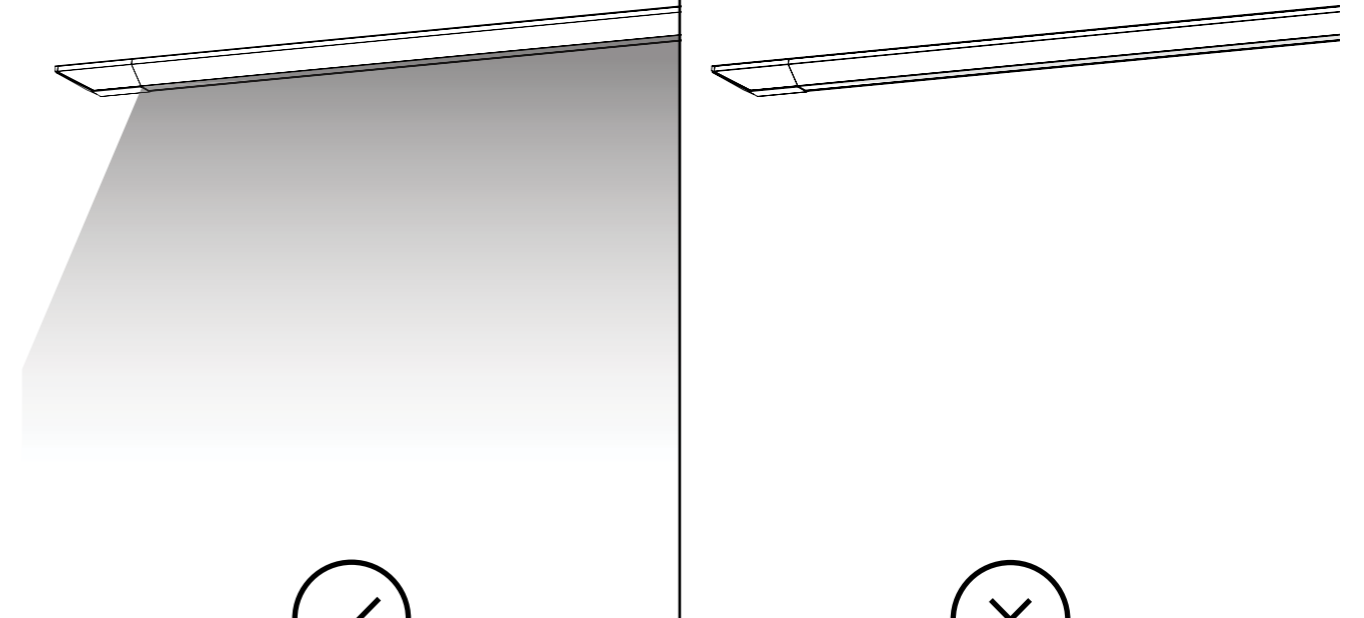
30



29



31

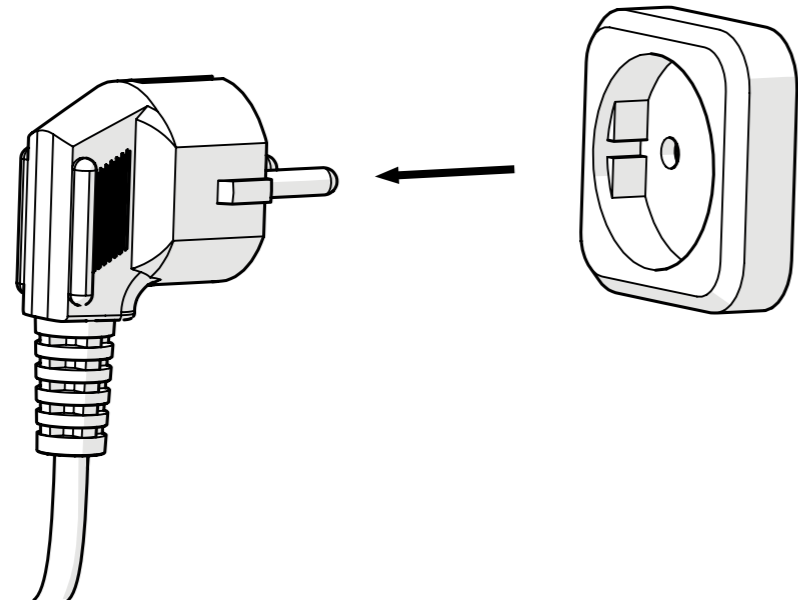


Go to next step

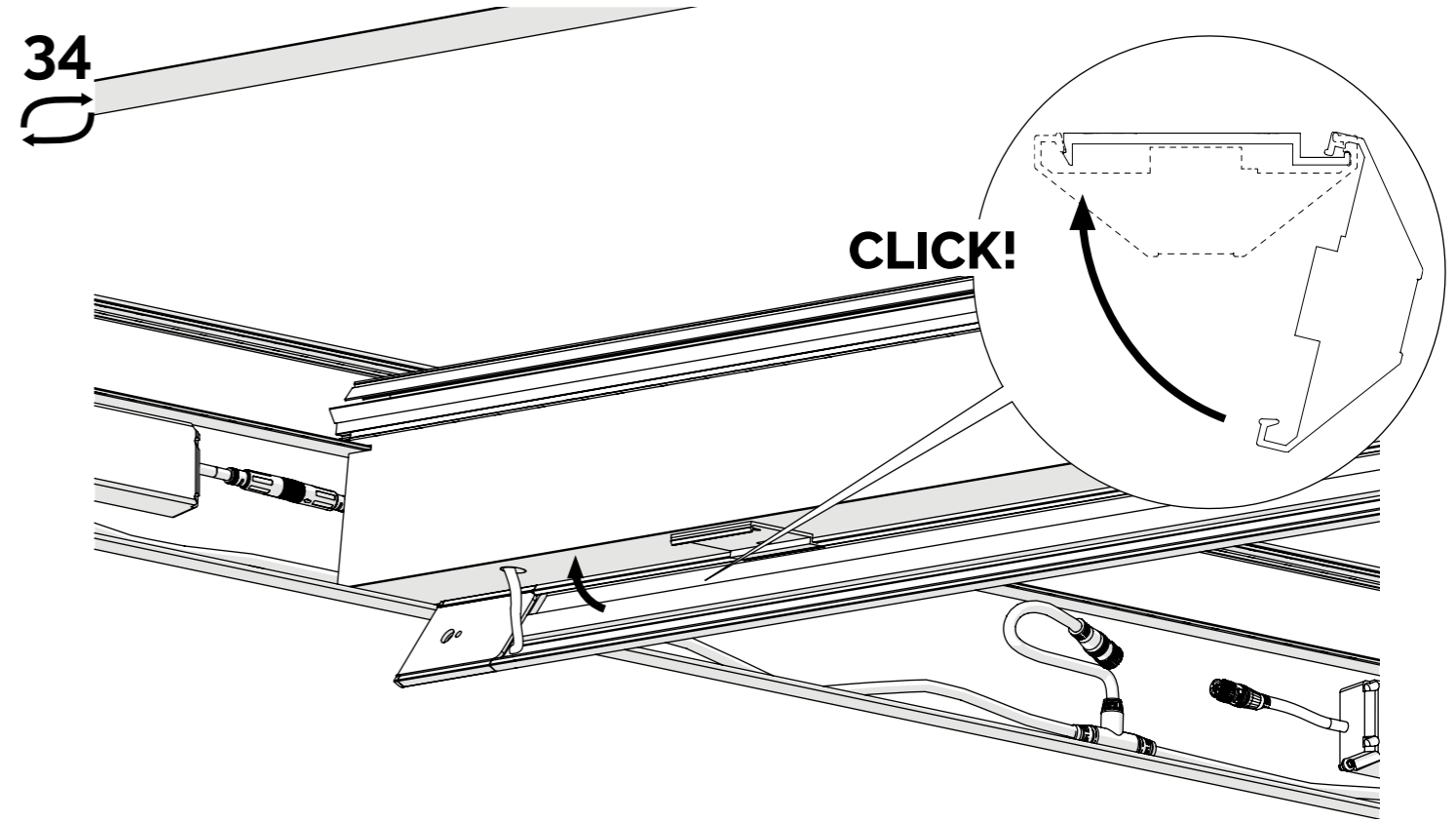


Check previous steps

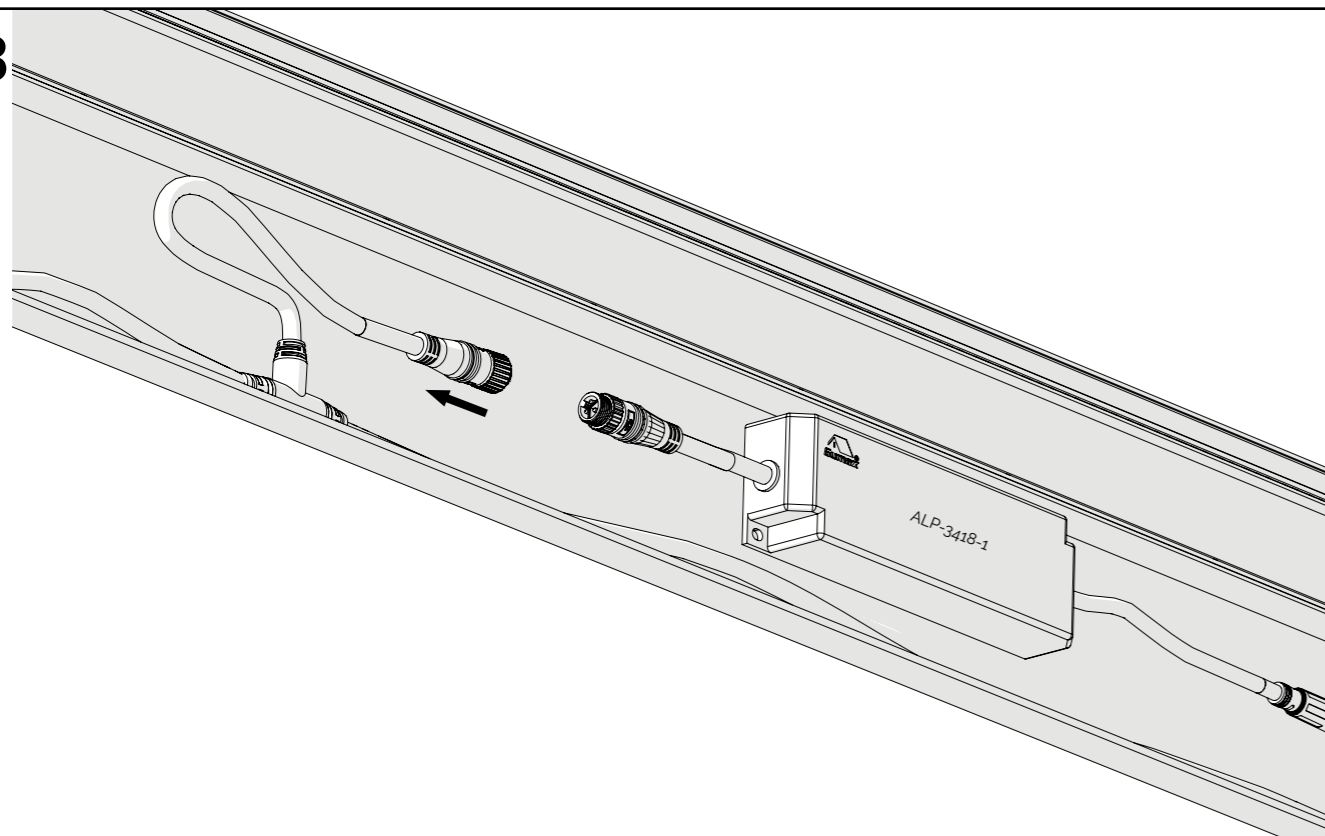
32



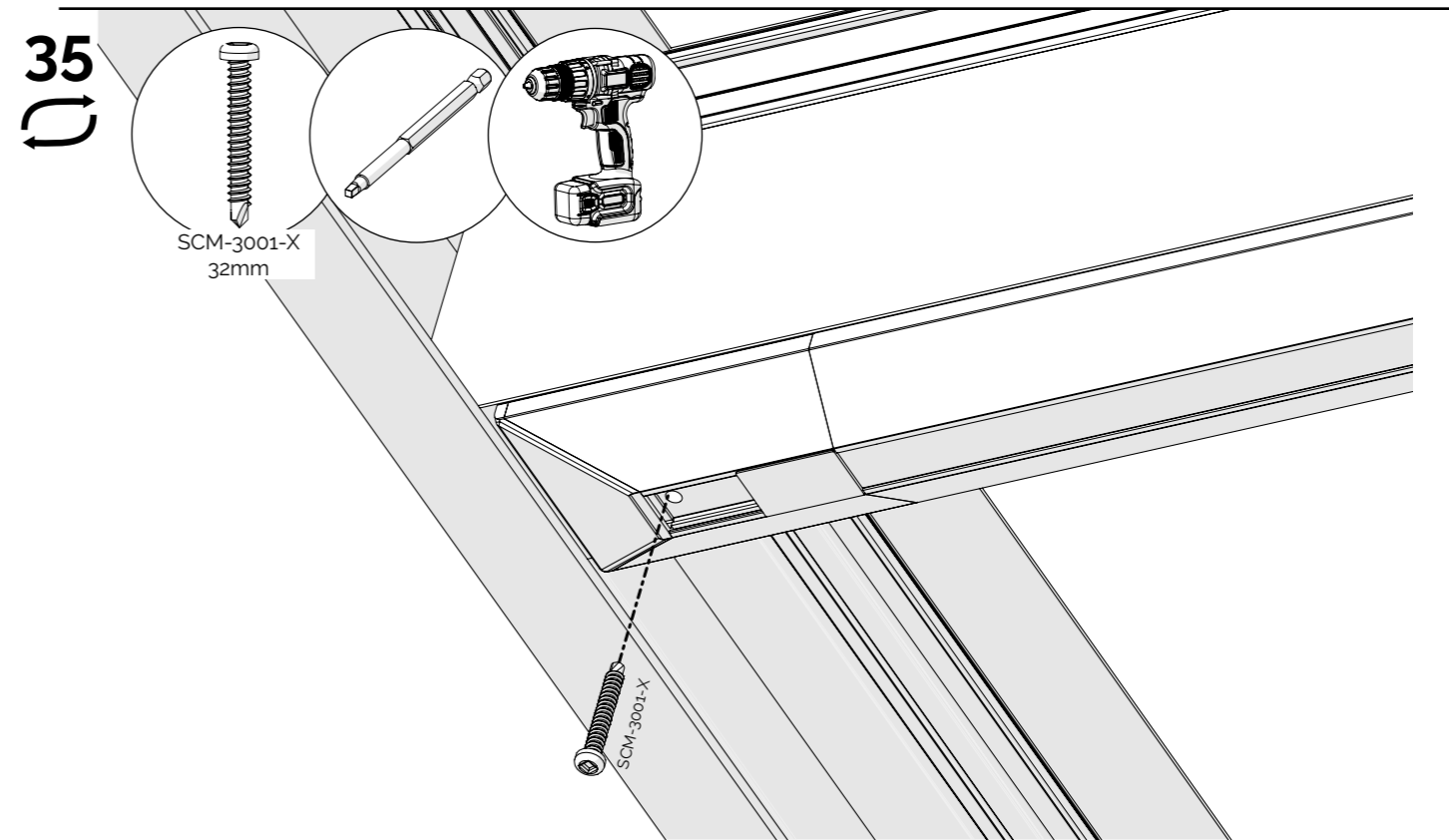
34



33

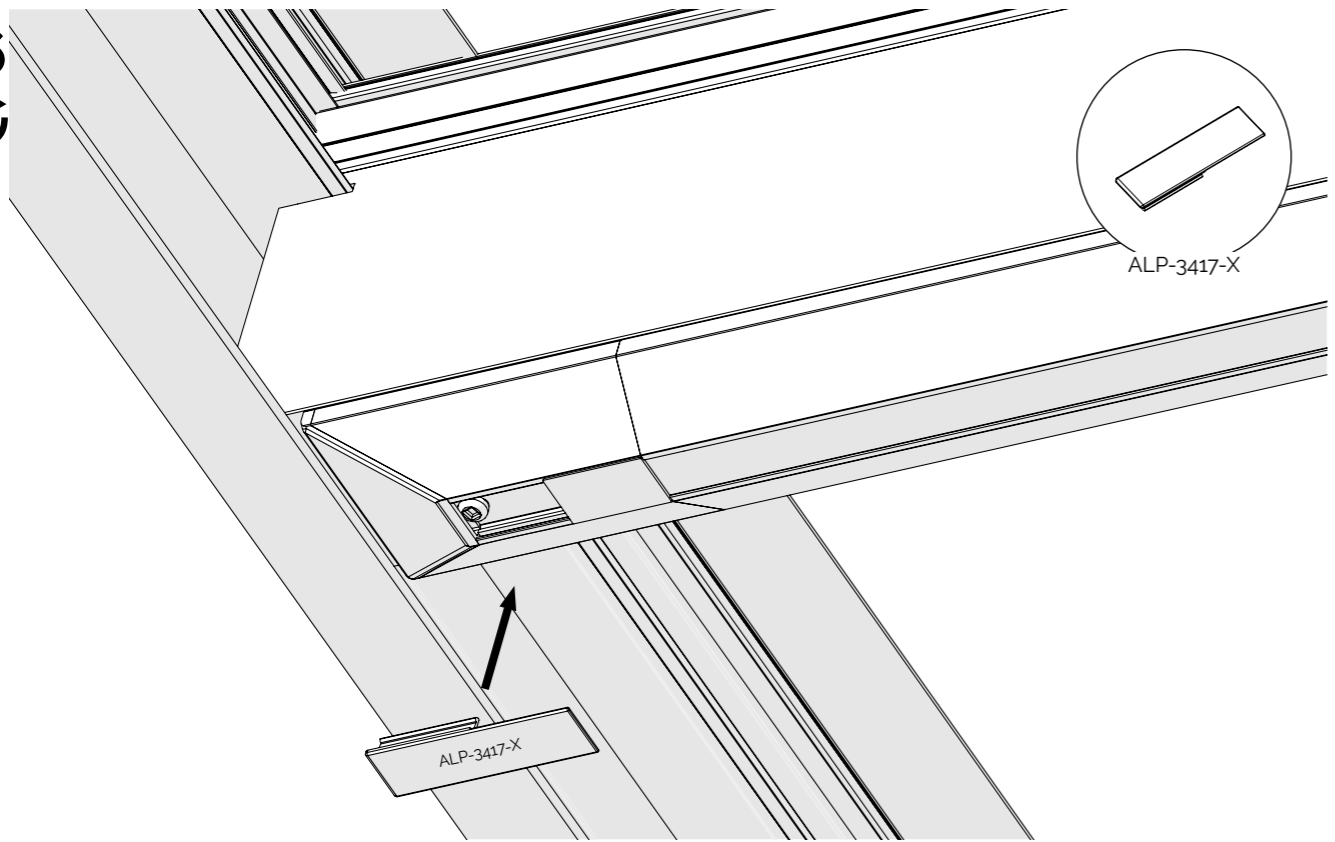


35

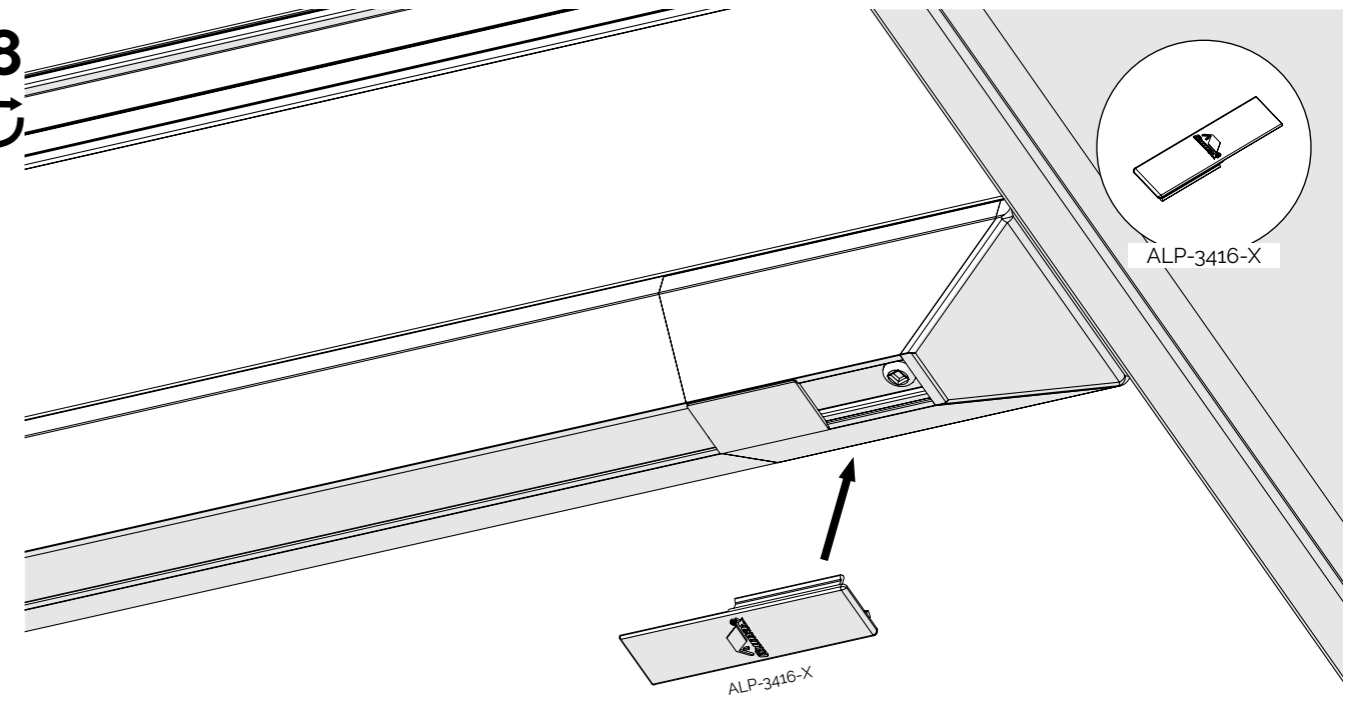


Repeat steps 29-33 for each ALP-3418-1

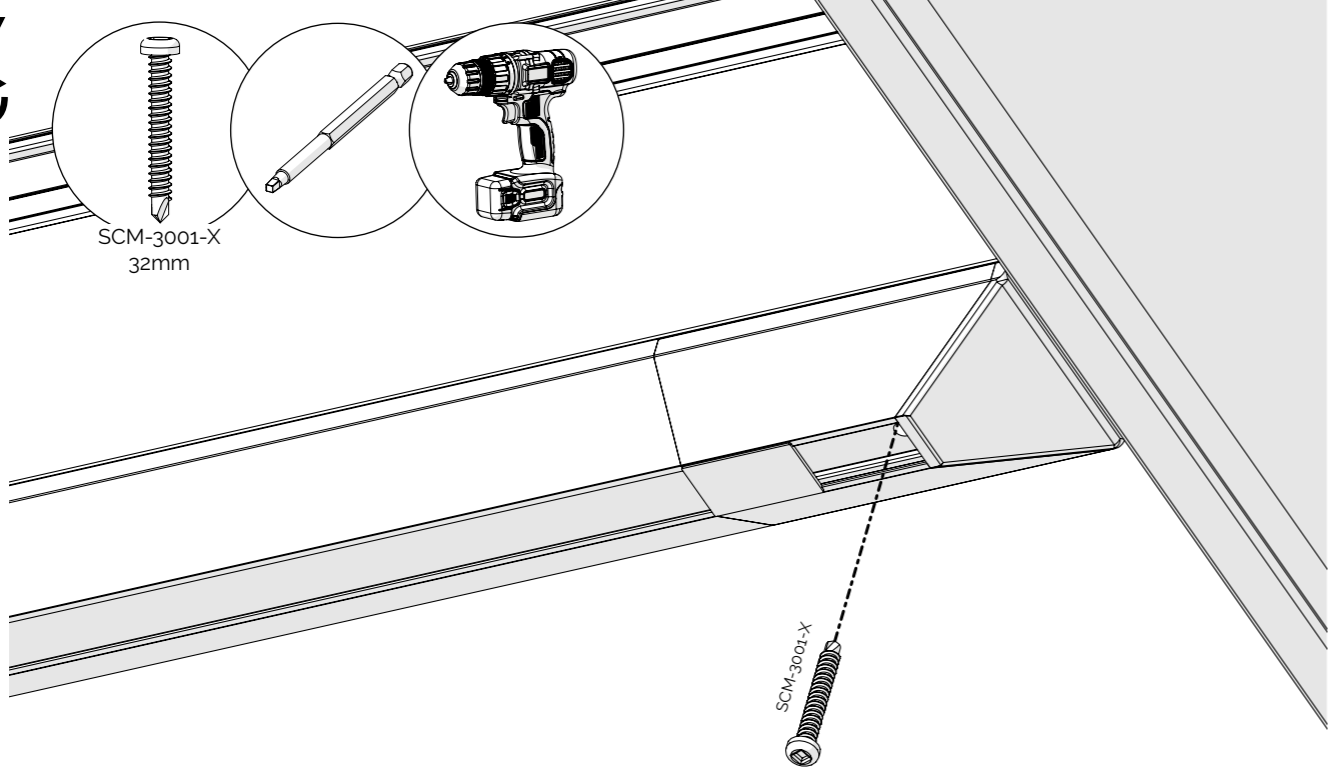
36



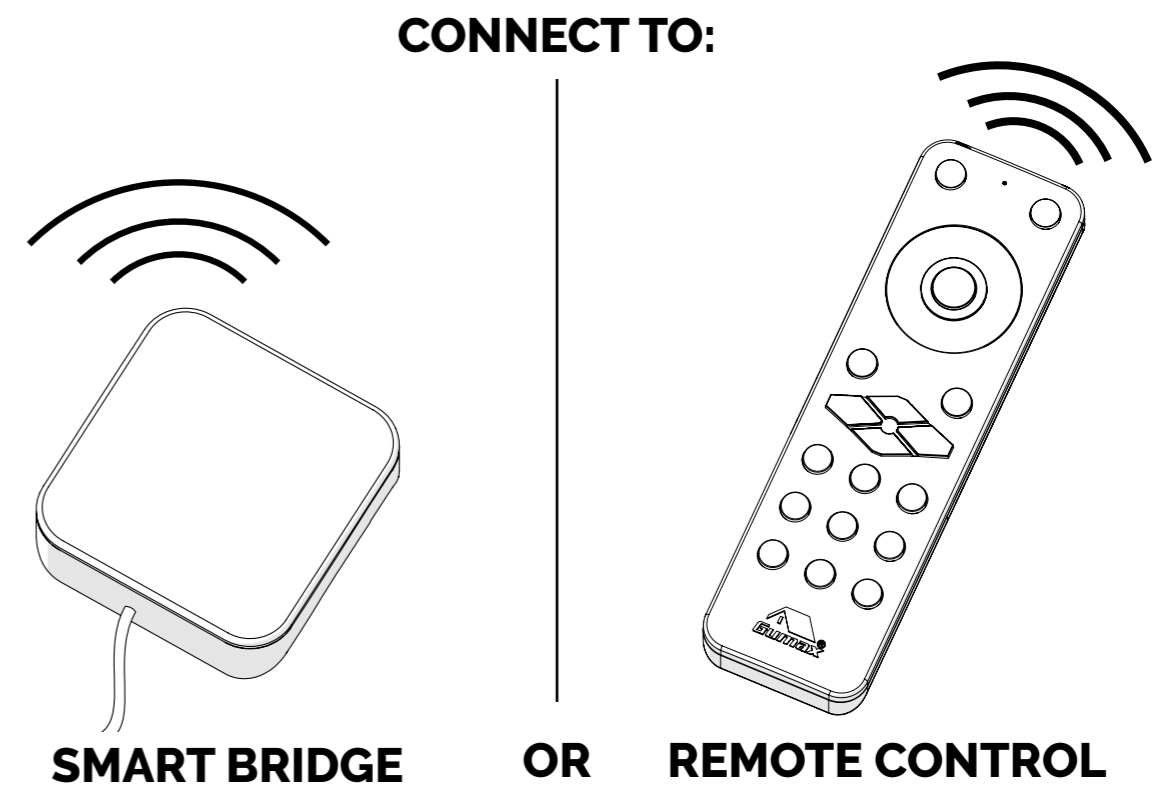
38

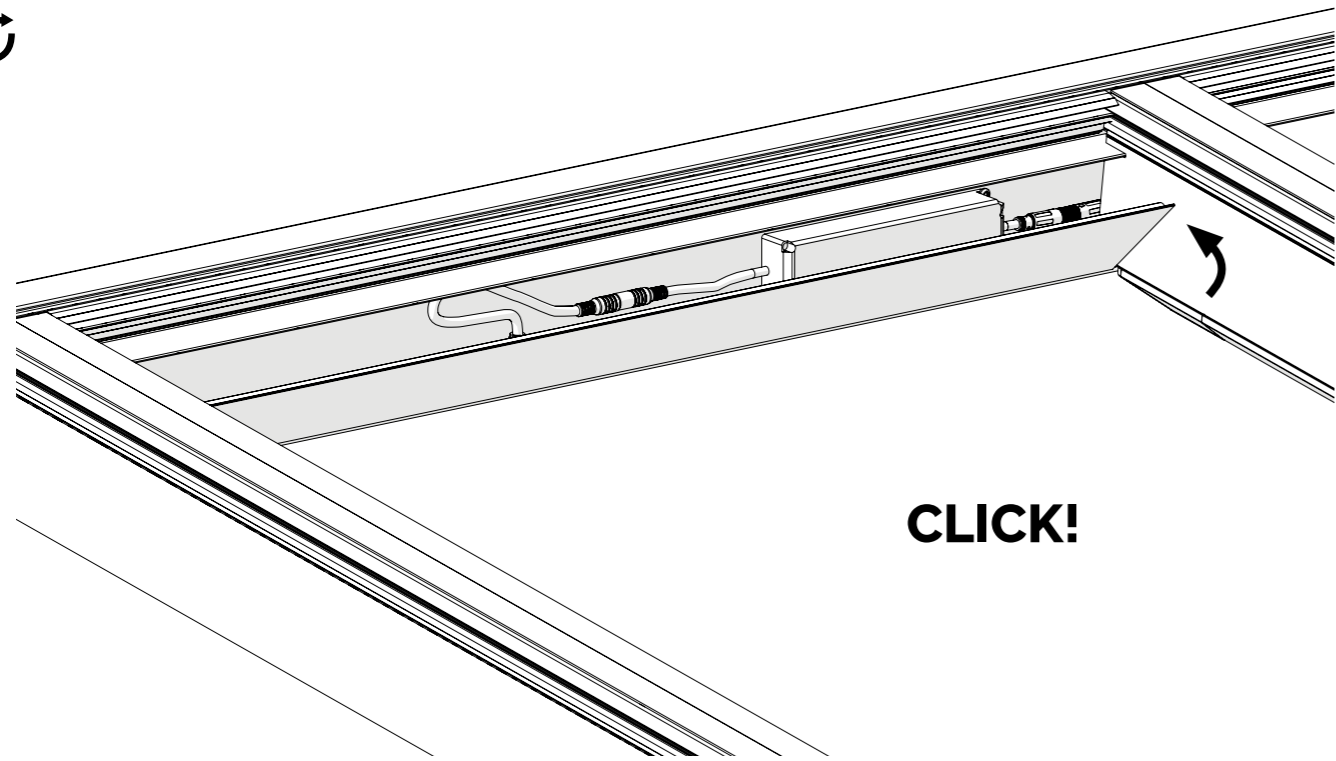


37



39



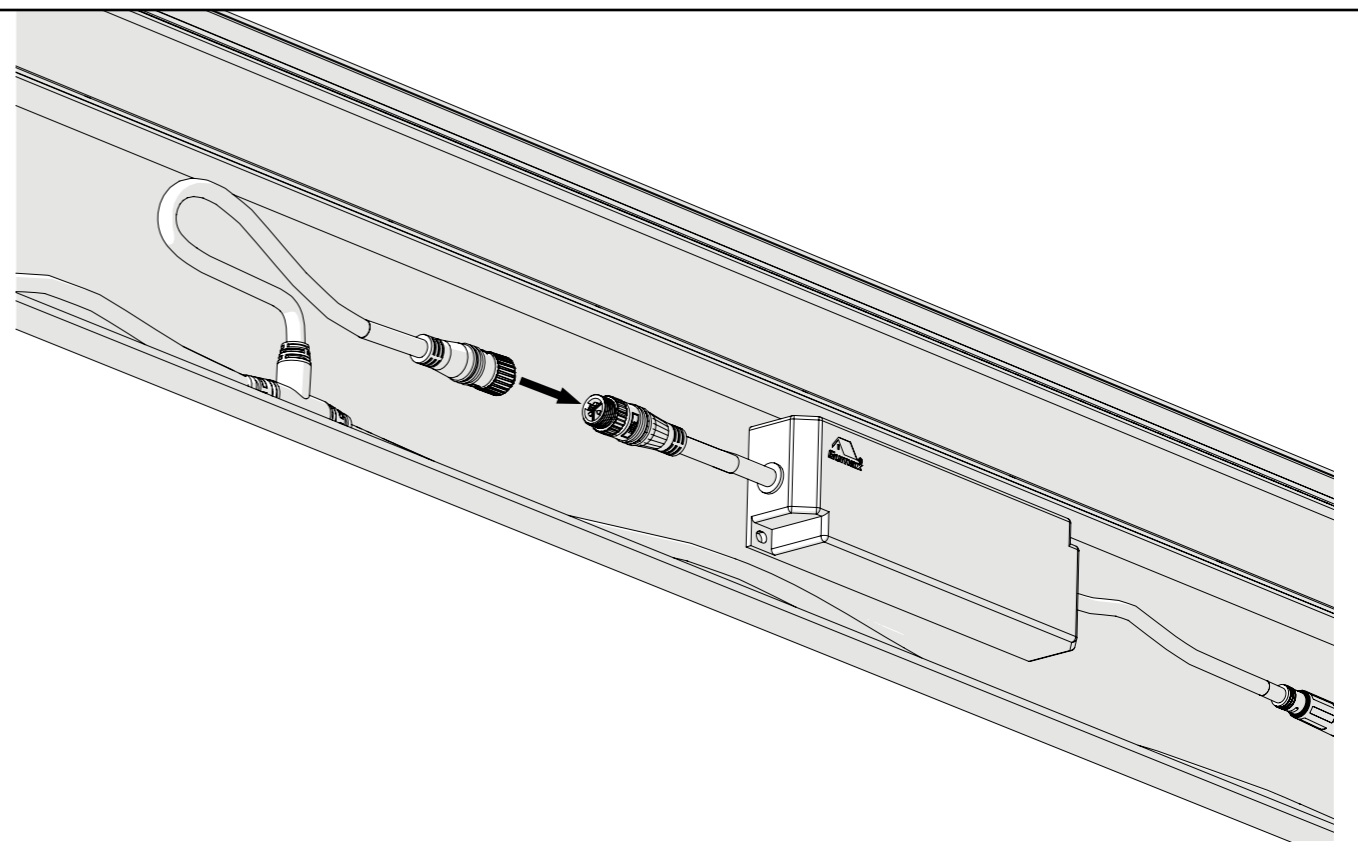


**CONNECT TO SMART BRIDGE OR REMOTE
VERLINKEN MIT SMART BRIDGE
ODER FERNBEDIENUNG
POUR LIER AVEC SMART BRIDGE OU
LA TÉLÉCOMMANDE
KOPPELEN MET SMART BRIDGE
OF AFSTANDSBEDIENING
POŁĄCZ SIĘ Z SMART BRIDGE LUB PILOTEM**

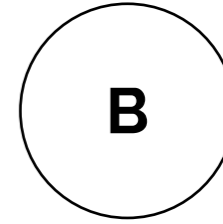
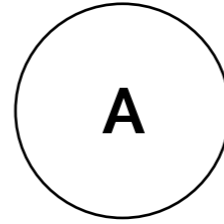
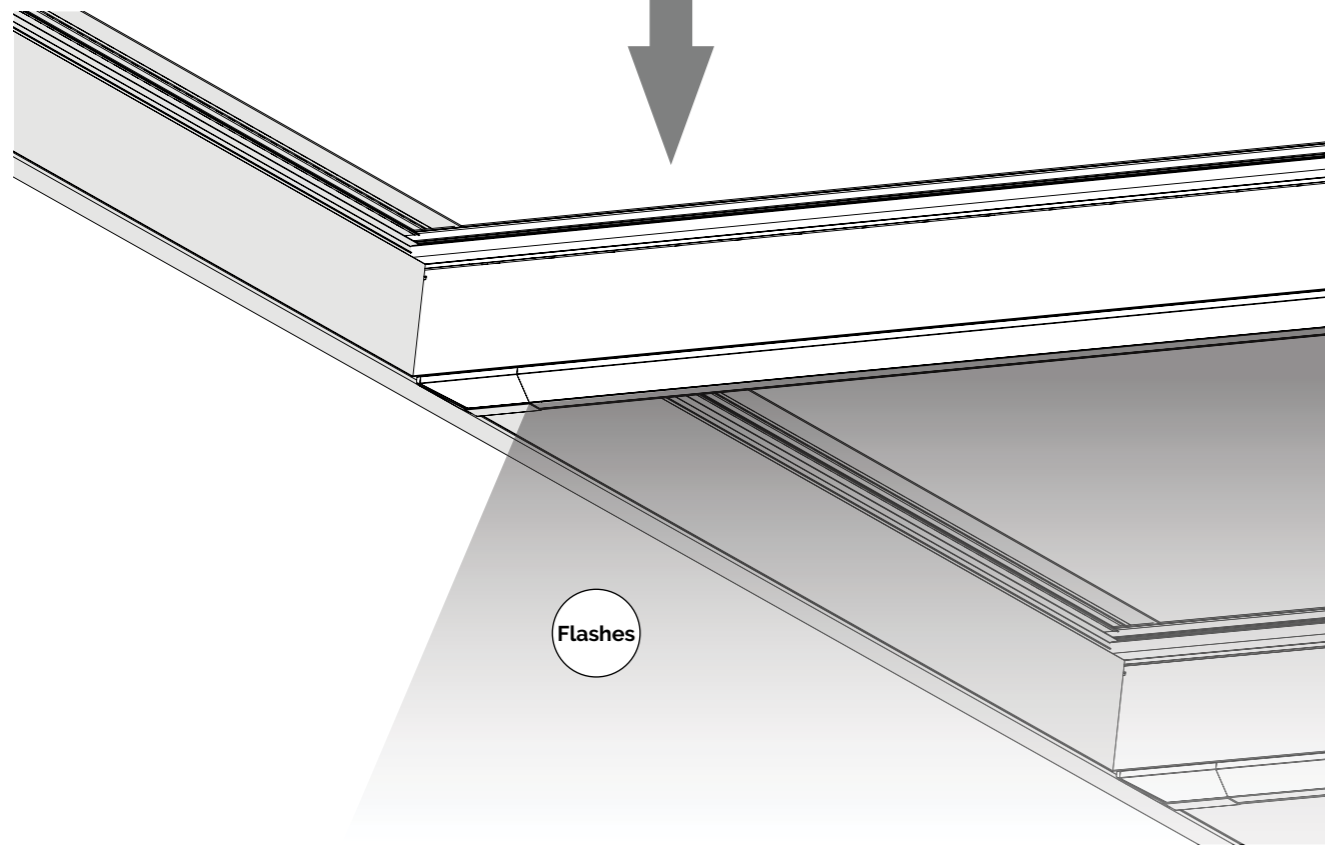
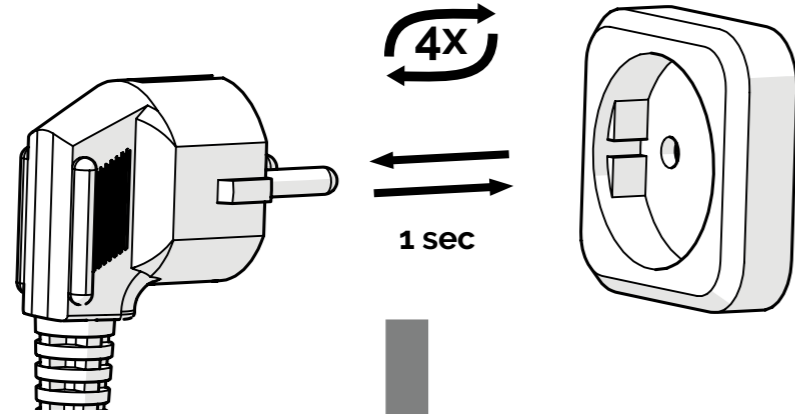
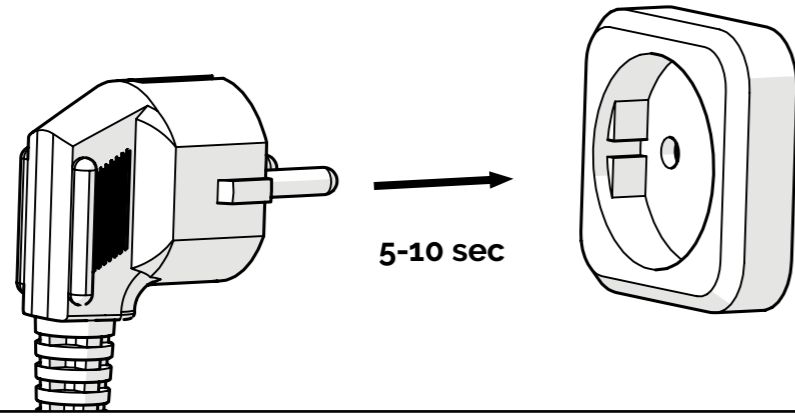


Install app belonging to bridge

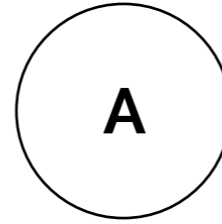
1



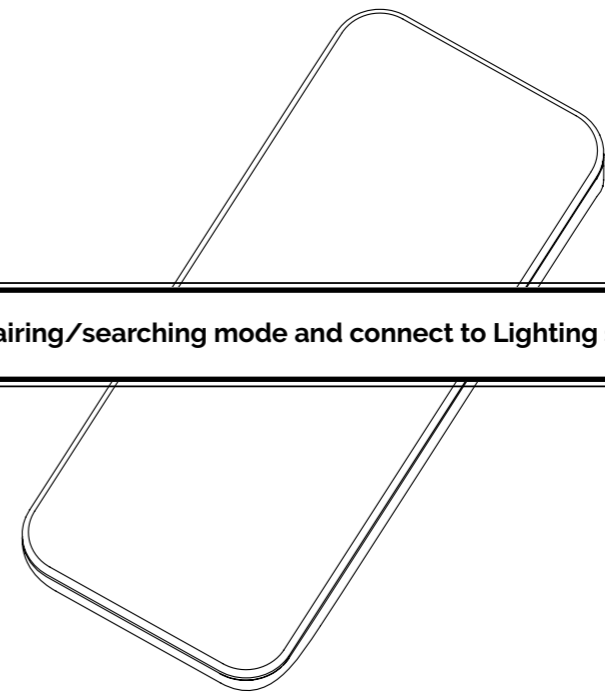
2

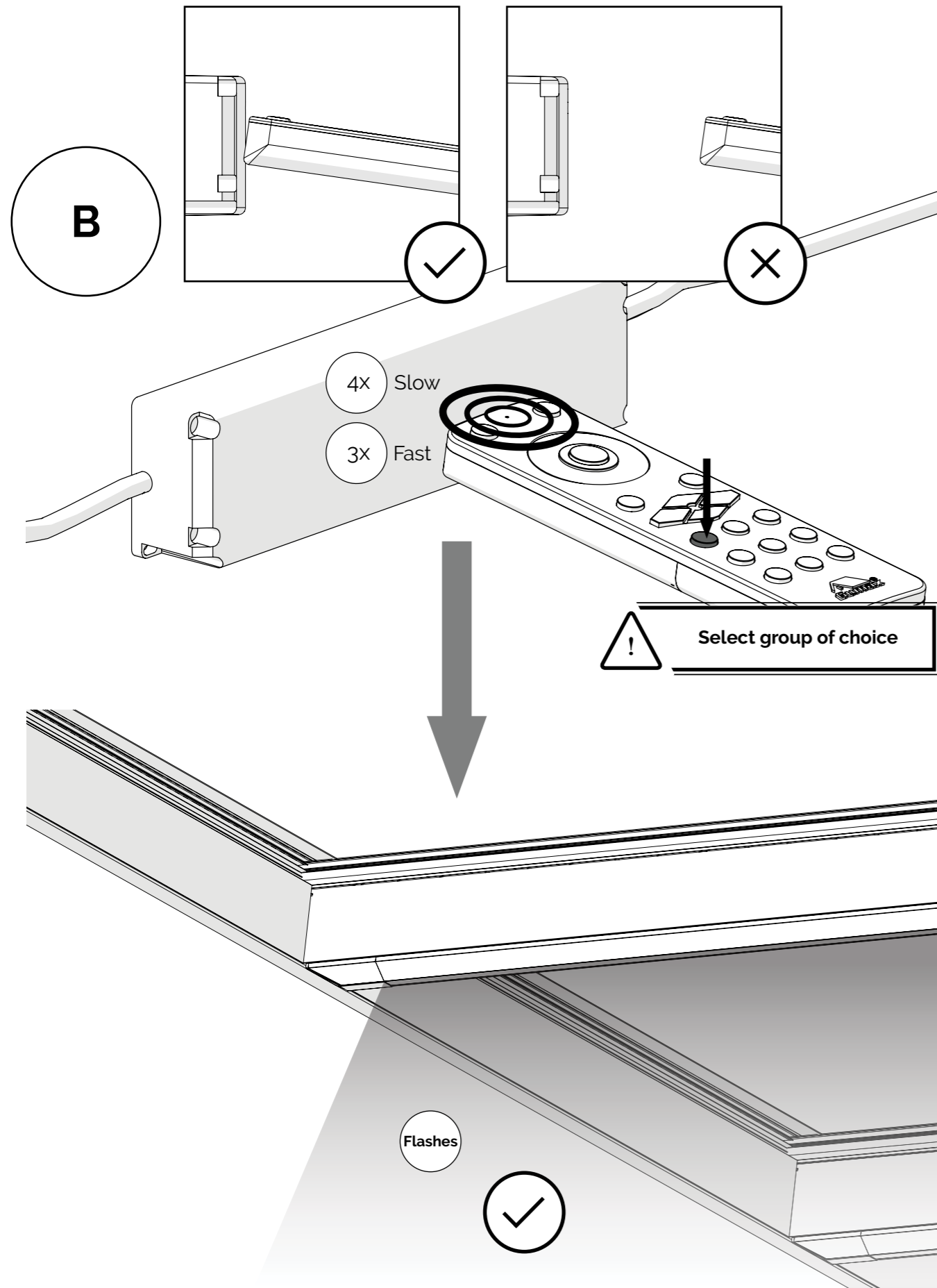


3

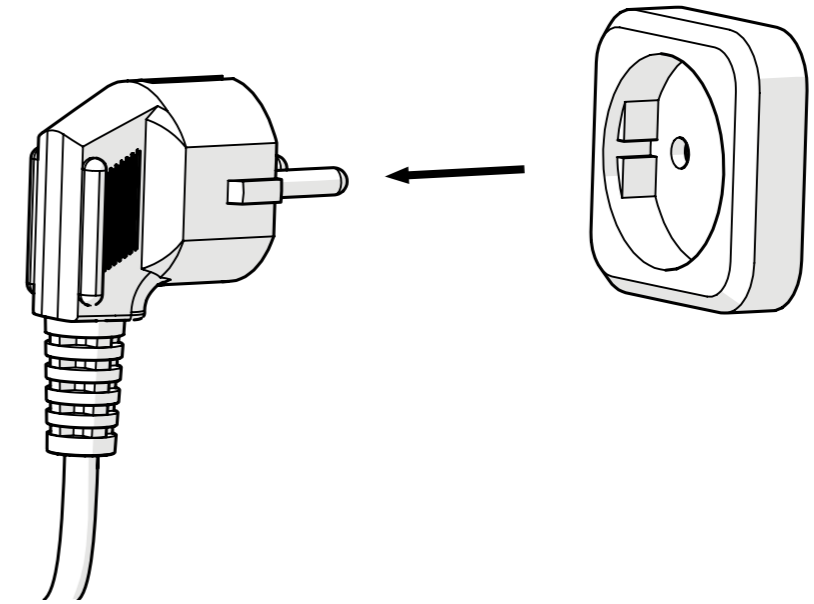


! Put app in pairing/searching mode and connect to Lighting system

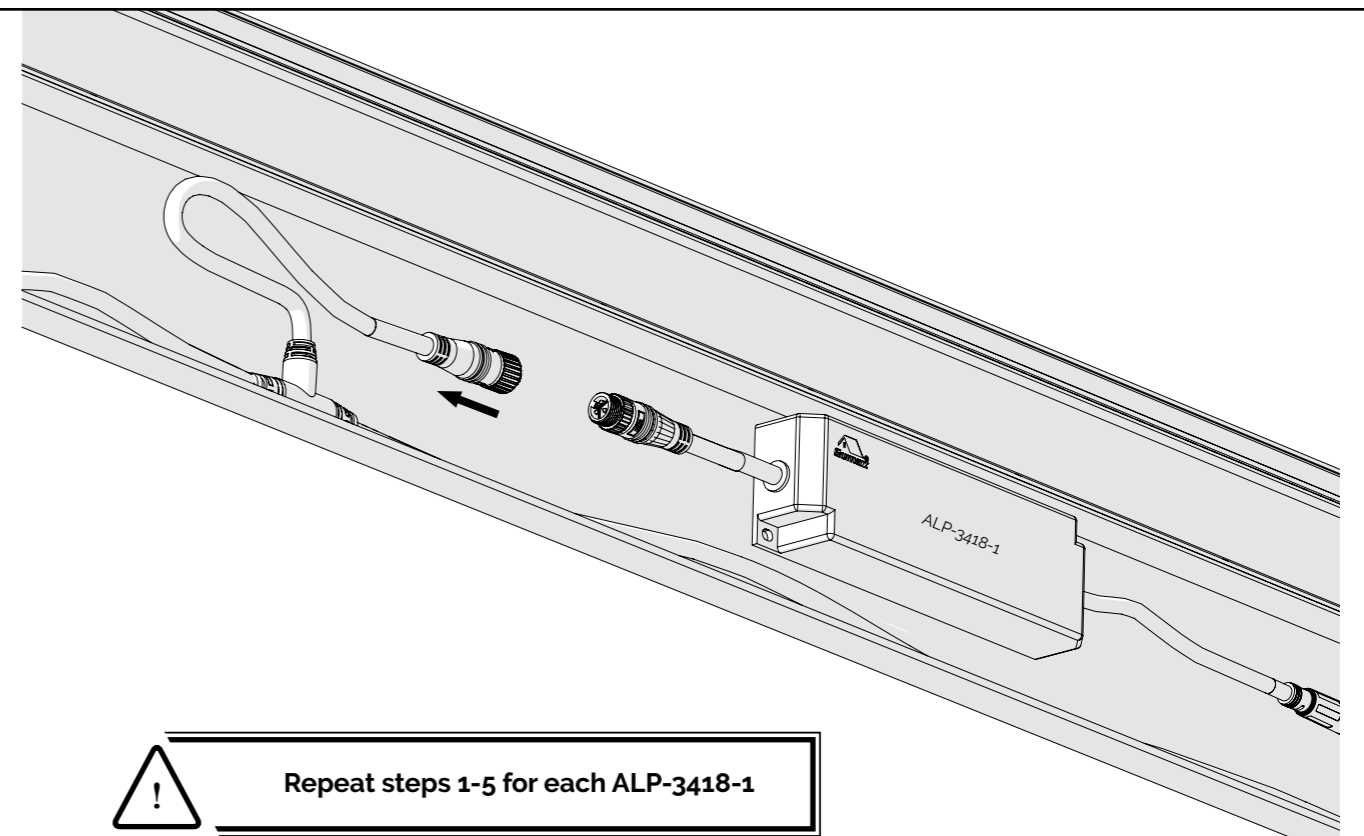




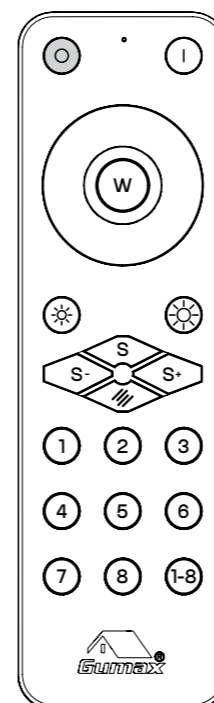
4



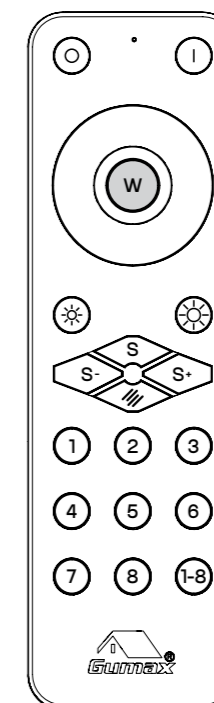
5



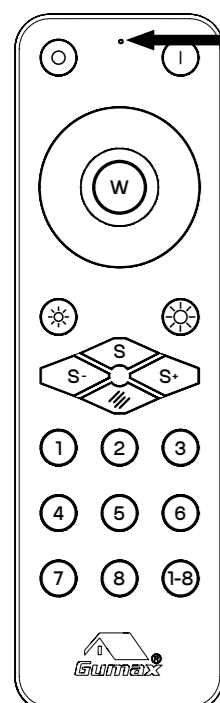
USE OF REMOTE CONTROL VERWENDUNG DER FERNBEDIENUNG UTILISATION DE LA TÉLÉCOMMANDE GEBRUIK VAN DE AFSTANDSBEDIENING KORZYSTANIE Z PILOTA



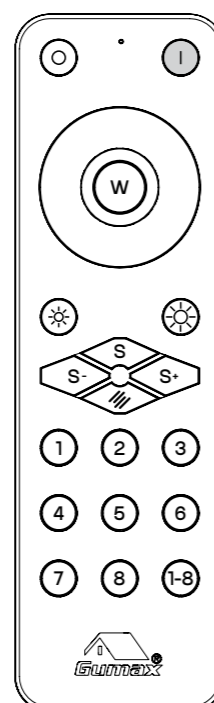
EN OFF
DE AUS
FR OFF
NL UIT
PL OFF



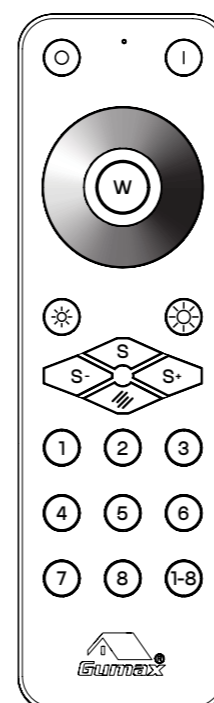
EN COLOR TEMPERATURE
WHITE LIGHT:
SWITCHES BETWEEN WARM
AND COLD WHITE LIGHT
DE FARBTEMPERATUR WEISS-
ES LICHT:
WECHSELT ZWISCHEN WARM-
UND KALTWEISSEM LICHT
FR TEMPÉRATURE DE COU-
LEUR
LUMIÈRE BLANCHE:
COMMUTATION ENTRE LA
LUMIÈRE BLANCHE CHAUDE
ET FROIDE
NL KLEURTEMPERATUUR WIT
LICHT:
WISSELT TUSSEN WARM EN
KOUDE WIT LICHT.
PL BARWA BIAŁE ŚWIATŁO:
PRZEŁĄCZANIE MIĘDZY
CIEPŁYM I ZIMNYM ŚWIATŁEM
BIAŁYM



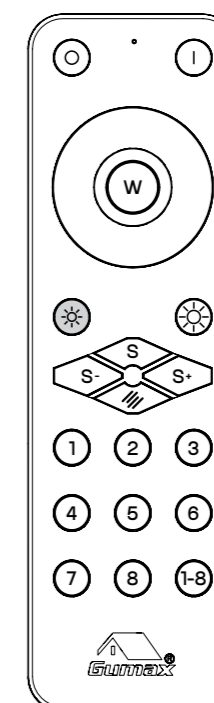
EN INDICATOR LIGHT
DE KONTROLLLEUCHTE
FR VOYANT INDICATEUR
NL INDICATIELAMPJE
PL KONTROLKA



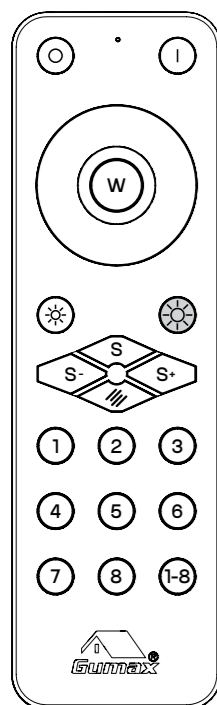
EN ON
DE AN
FR ACTIVER
NL AAN
PL ON



EN COLOR RING:
TOUCH RING TO CHANGE
COLOR
DE FARBRING:
BERÜHREN SIE DEN RING, UM
DIE FARBE ZU ÄNDERN
FR BAGUE DE COULEUR:
TOUCHEZ LA BAGUE POUR
CHANGER DE COULEUR
NL KLEUREN RING:
RAAK RING AAN OM KLEUR TE
WISSELEN
PL KOLOROWY PIERŚCIEŃ:
DOTKNIJ PIERŚCIEŃ, ABY
ZMIENIĆ KOLOR



EN REDUCE BRIGHTNESS:
PRESS OR HOLD BUTTON TO
REDUCE BRIGHTNESS
DE HELBIGKEIT REDUZIEREN:
DRÜCKEN ODER HALTEN SIE
DIE TASTE, UM DIE HELBIGKEIT
ZU REDUZIEREN
FR RÉDUIRE LA LUMINOSITÉ:
APPUYEZ OU MAINTENEZ LE
BOUTON POUR RÉDUIRE LA
LUMINOSITÉ
NL HELDERHEID
VERMINDEREN:
DRUK OF HOUD DE KNOP
INGEDRUKT OM HELDERHEID
TE VERMINDEREN
PL ZMNIEJSZ JASNOŚĆ:
NACIŚNIJ LUB PRZYTRZYMAJ
PRZYCIŚK ZMNIEJSZ JASNOŚĆ



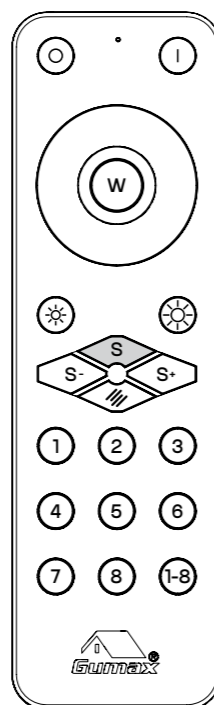
EN INCREASE BRIGHTNESS:
PRESS OR HOLD BUTTON TO
INCREASE BRIGHTNESS

DE HELLIGKEIT ERHÖHEN:
DRÜCKEN ODER HALTEN SIE
DIE TASTE, UM DIE HELLIGKEIT
ZU ERHÖHEN

FR AUGMENTEZ LA
LUMINOSITÉ:
APPUYEZ OU MAINTENEZ LE
BOUTON POUR AUGMENTER
LA LUMINOSITÉ

NL HELDERHEID VERHOGEN:
DRUK OF HOUD DE KNOP
INGEDRUKT OM HELDERHEID
TE VERMEERDEREN

PL ZWIĘKSZENIE JASNOŚCI:
NACIŚNIJ LUB PRZYTRZYMAJ
PRZYCIISK, ABY ZWIĘKSZYĆ
JASNOŚĆ



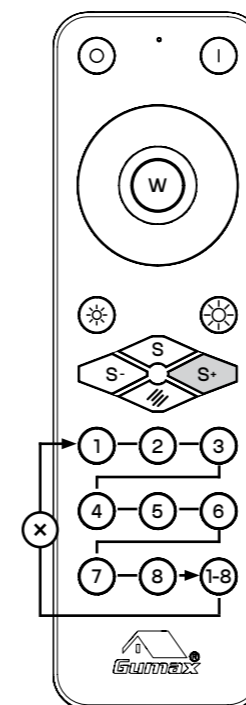
EN STORE SCENE:
LONG PRESS 'S' +
GROUP BUTTON OF CHOICE
(5 SEC). INDICATOR LIGHT
FLASHES 5x SLOW, AND 3x
FAST TO CONFIRM SETTING.

DE SZENE SPEICHERN:
LANGE DRÜCKEN „S“ +
GRUPPENTASTE NACH WAHL
(5 SEK). KONTROLLLEUCHE
BLINKT 5x LANGSAM UND 3x
SCHNELL, UM DIE
EINSTELLUNG ZU BESTÄTIGEN.

FR ENREGISTRER LA SCÈNE:
APPUI LONG SUR <<S>> +
BOUTON DE CHOIX DE
GROUPE (5 SEC). LE VOYANT
CLIGNOTE 5x LENTEMENT ET
3x RAPIDEMENT POUR
CONFIRMER LE RÉGLAGE.

NL SCENE OPSLAAN:
LANG INDRUKKEN 'S' +
GROEPKNOP NAAR KEUZE
(5 SEC). INDICATIELAMPJE
KNIPPERT 5x LANZAAM EN 3x
SNEL OM DE INSTELLING TE
BEVESTIGEN.

PL SKLEP SCENA:
DŁUGIE NACIŚNIĘCIE „S“ +
PRZYCIISK WYBORU GRUP
(5 SEK). LAMPKA WSKAŹNIKA
MIGA 5x WOLNO I 3x SZYBKO,
ABY POTWIERDZIĆ
USTAWIENIE.



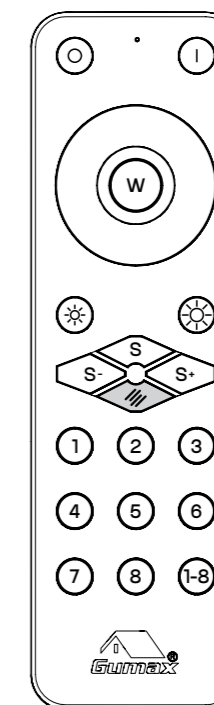
EN NEXT SCENE

DE NÄCHSTE SZENE

FR SCÈNE SUIVANTE

NL VOLGENDE SCENE

PL NASTĘPNA SCENA



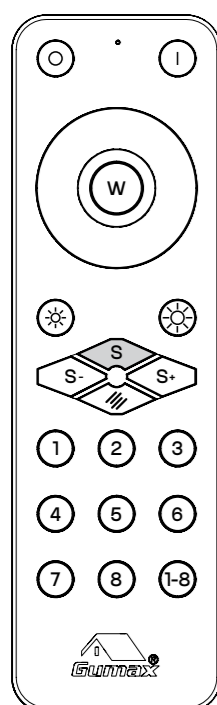
EN R, G, B, AUTOMATIC COLOR
SWITCH:
PRESS BUTTON TO CYCLE
THROUGH RED, GREEN, BLUE
AND AUTOMATIC
COLOR SWITCH

DE R, G, B, AUTOMATISCHE
FARBÄNDERUNG:
DRÜCKEN DIE TASTE, UM
DURCH ROT, GRÜN, BLAU UND
DEN AUTOMATISCHEN
FARBWECHSEL ZU SCHALTEN

FR R, G, B, CHANGEMENT DE
COULEUR AUTOMATIQUE:
APPUYEZ SUR LE BOUTON
POUR PASSER PAR LE ROUGE,
LE VERT, LE BLEU ET LE
COMMUTATEUR DE COULEUR
AUTOMATIQUE

NL R, G, B, AUTOMATISCHE
KLEURWISSELING:
DRUK OP DE KNOP OM DOOR
ROOD, GROEN, BLAUW EN
AUTOMATISCHE
KLEURWISSELING TE GAAN

PL R, G, B, AUTOMATYCZNA
ZMIANA KOLORU:
NACIŚNIJ PRZYCIISK, ABY
PRZEŁĄCZYĆ CZERWONY,
ZIELONY, NIEBIESKI I
AUTOMATYCZNĄ
PRZEŁĄCZANIE KOLORÓW



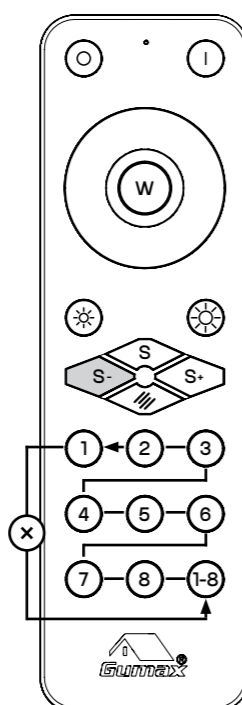
EN SELECT SCENE:
SHORT PRESS 'S' + GROUP
BUTTON OF CHOICE

DE SZENE WÄHLEN:
KURZ DRÜCKEN „S“ +
GRUPPENTASTE DER WAHL

FR SÉLECTIONNER LA SCÈNE :
APPUI COURT SUR « S » +
BOUTON DE GROUPE AU
CHOIX

NL SELECTEREN SCENE:
KORT INDRUKKEN 'S' +
GROEPKNOP NAAR KEUZE

PL WYBIERZ SCENĘ:
KRÓTKIE NACIŚNIĘCIE „S“ +
PRZYCIISK WYBORU GRUP



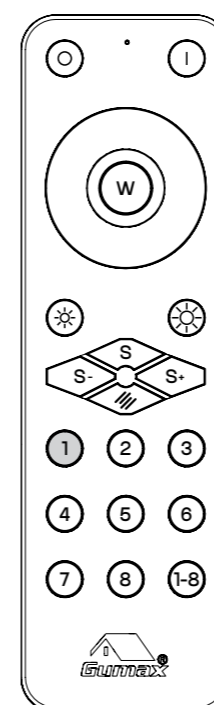
EN PREVIOUS SCENE

DE VORHERIGE SZENE

FR SCÈNE PRÉCÉDENTE

NL VORIGE SCENE

PL POPRZEDNIA SCENA



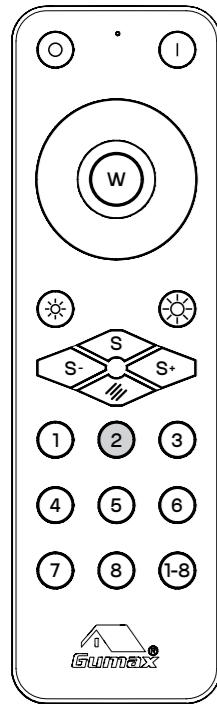
EN GROUP 1/SCENE 1

DE GRUPPE 1/SZENE 1

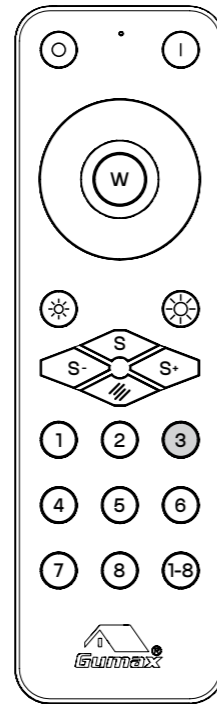
FR GROUPE 1/SCÈNE 1

NL GROEP 1/SCÈNE 1

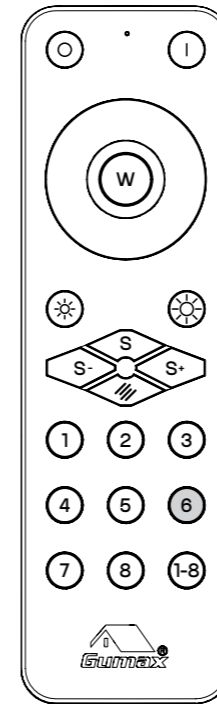
PL GRUPA 1/SCENA 1



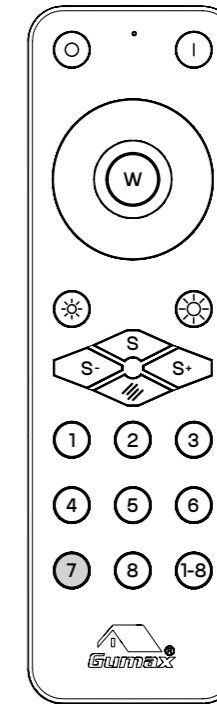
EN GROUP 2/SCENE 2
DE GRUPPE 2/SZENE 2
FR GROUPE 2/SCÈNE 2
NL GROEP 2/SCÈNE 2
PL GRUPA 2/SCENA 2



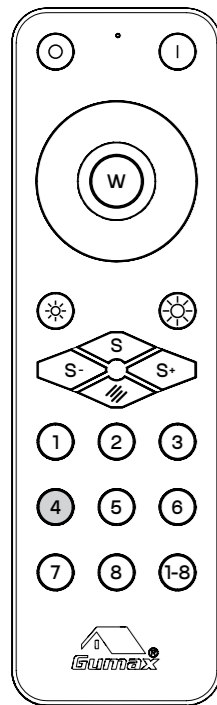
EN GROUP 3/SCENE 3
DE GRUPPE 3/SZENE 3
FR GROUPE 3/SCÈNE 3
NL GROEP 3/SCÈNE 3
PL GRUPA 3/SCENA 3



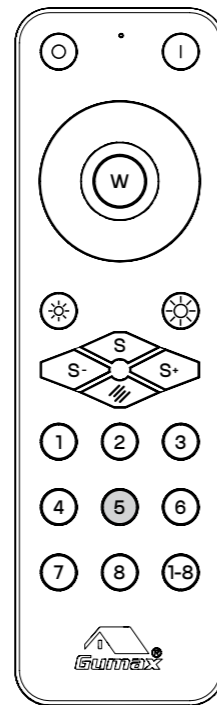
EN GROUP 6/SCENE 6
DE GRUPPE 6/SZENE 6
FR GROUPE 6/SCÈNE 6
NL GROEP 6/SCÈNE 6
PL GRUPA 6/SCENA 6



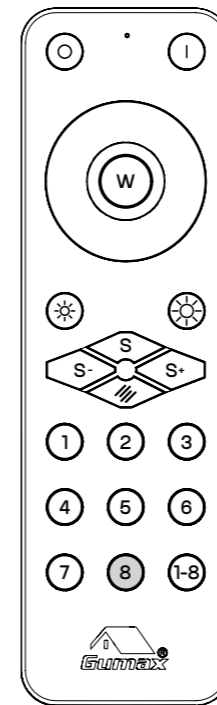
EN GROUP 7/SCENE 7
DE GRUPPE 7/SZENE 7
FR GROUPE 7/SCÈNE 7
NL GROEP 7/SCÈNE 7
PL GRUPA 7/SCENA 7



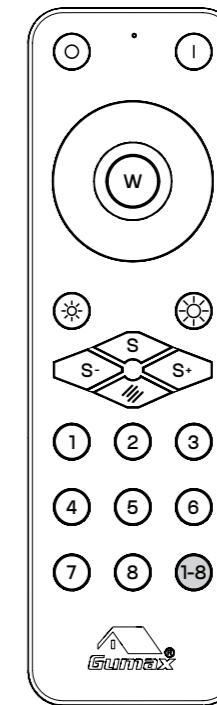
EN GROUP 4/SCENE 4
DE GRUPPE 4/SZENE 4
FR GROUPE 4/SCÈNE 4
NL GROEP 4/SCÈNE 4
PL GRUPA 4/SCENA 4



EN GROUP 5/SCENE 5
DE GRUPPE 5/SZENE 5
FR GROUPE 5/SCÈNE 5
NL GROEP 5/SCÈNE 5
PL GRUPA 5/SCENA 5



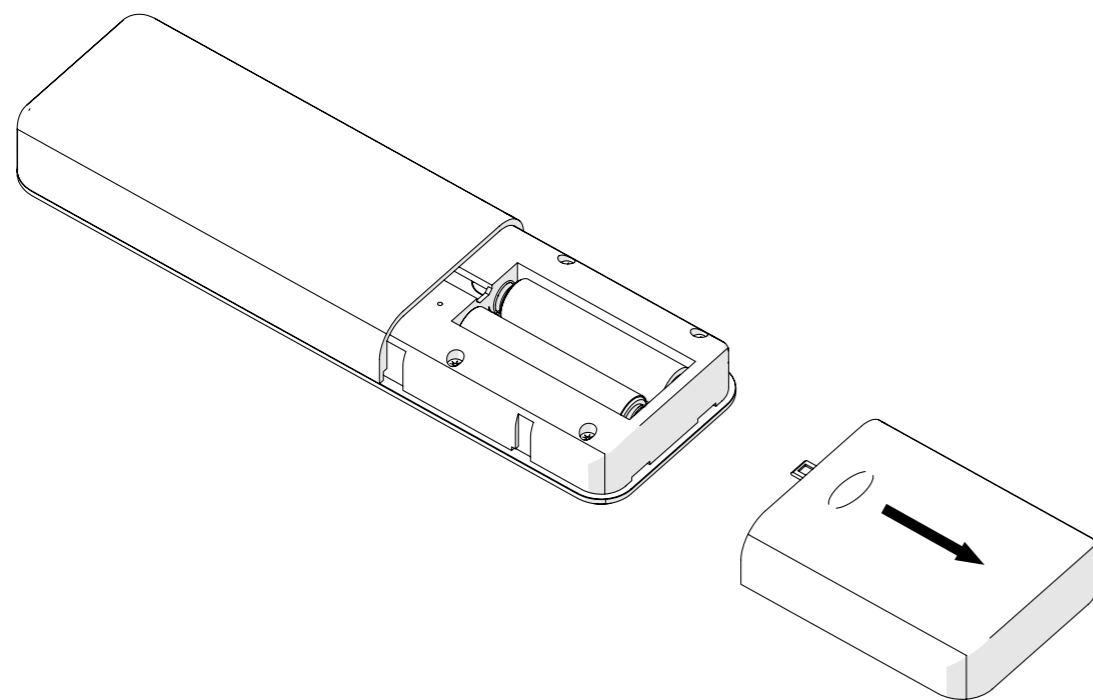
EN GROUP 8/SCENE 8
DE GRUPPE 8/SZENE 8
FR GROUPE 8/SCÈNE 8
NL GROEP 8/SCÈNE 8
PL GRUPA 8/SCENA 8



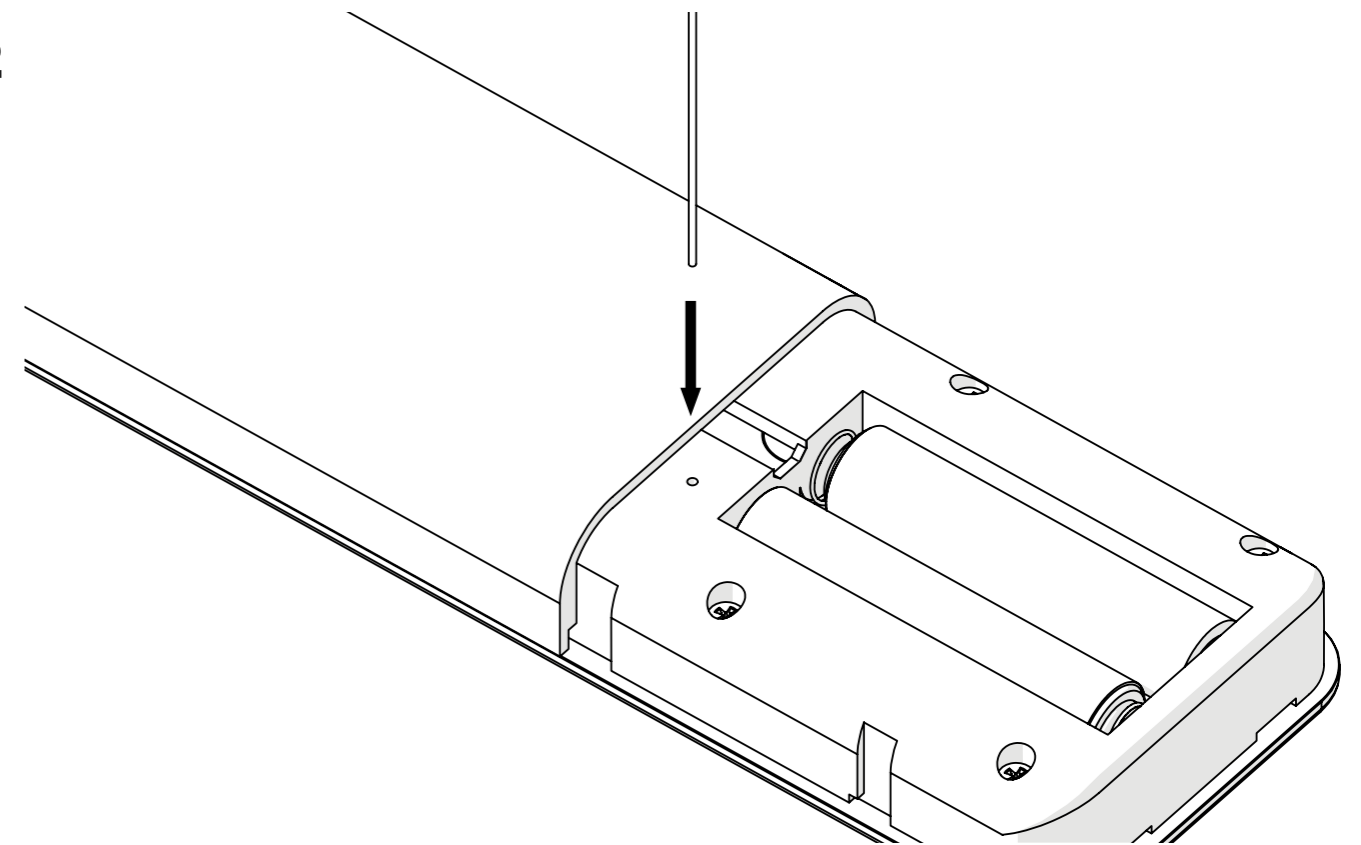
EN ALL GROUPS
DE ALLE GRUPPEN
FR TOUS LES GROUPES
NL ALLE GROEPEN
PL WSZYSTKIE GRUPY

RESET REMOTE CONTROL
ZURÜCKSETZEN DER FERNBEDIENUNG
RÉINITIALISER LA TÉLÉCOMMANDE
RESETTEN AFSTANDSBEDIENING
RESE TUJ PILOT

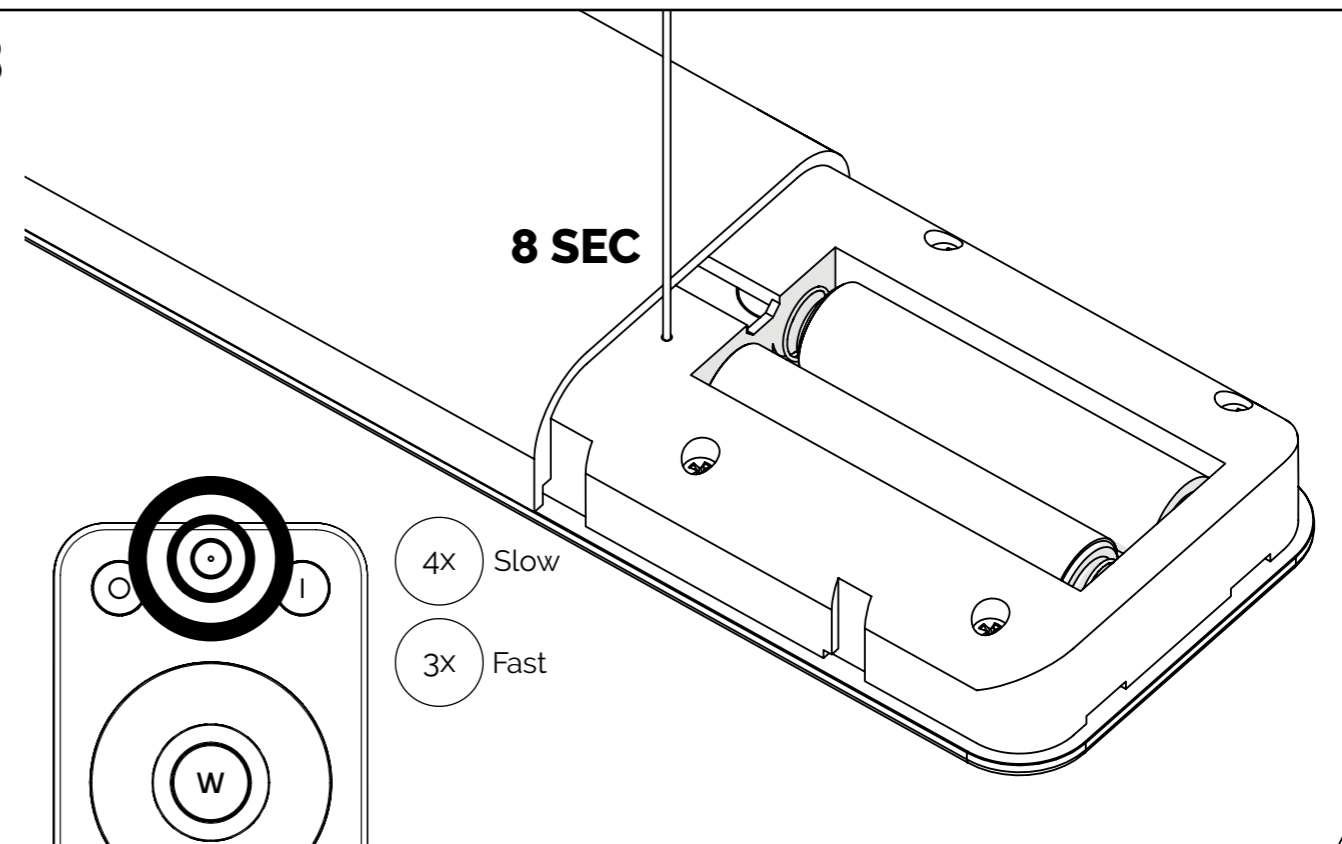
1



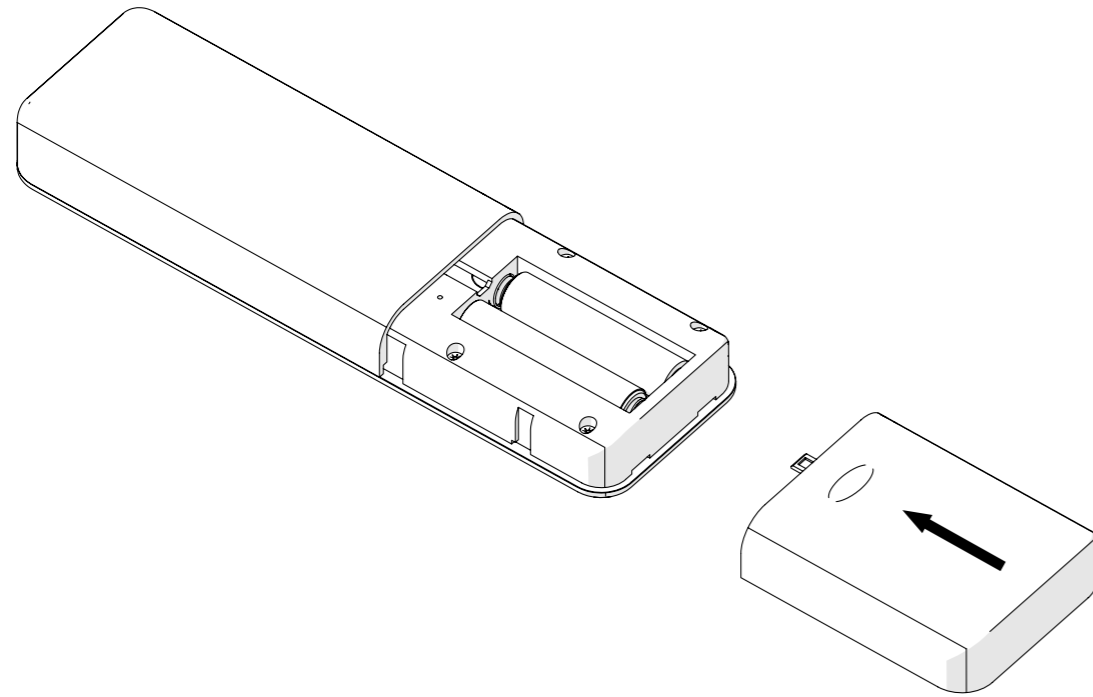
2



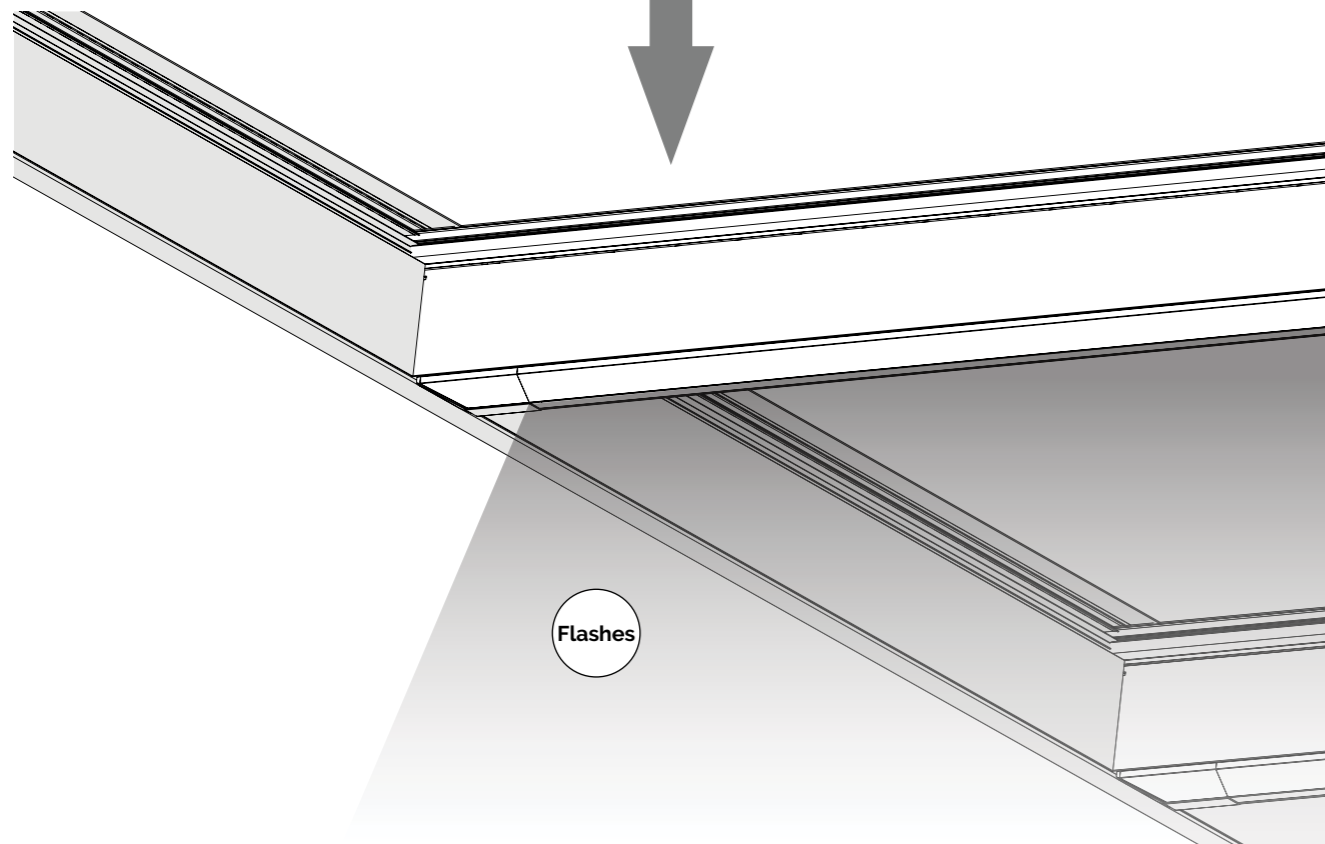
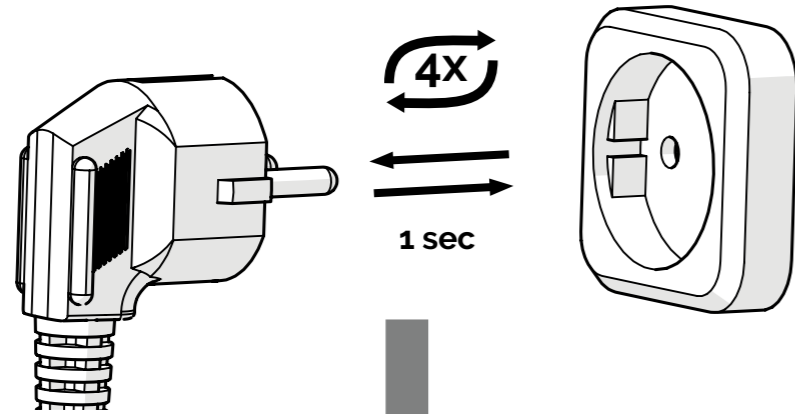
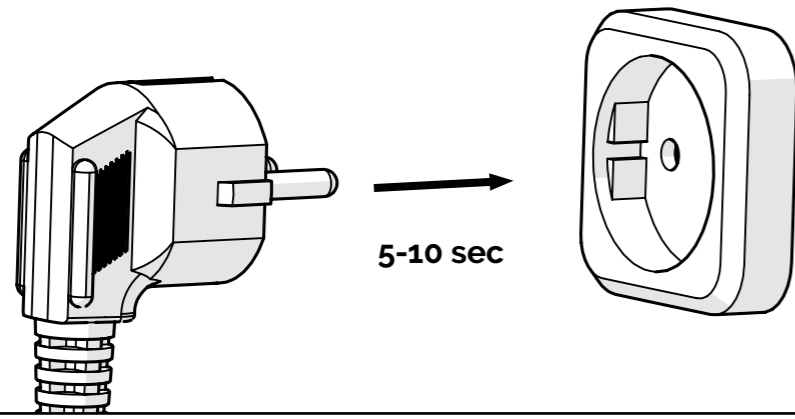
3



4

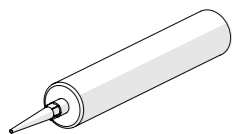
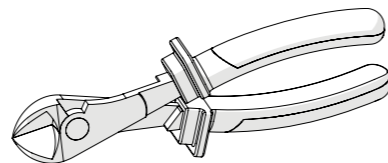
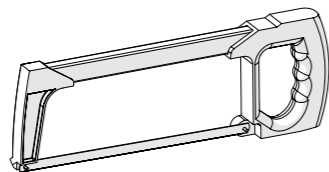
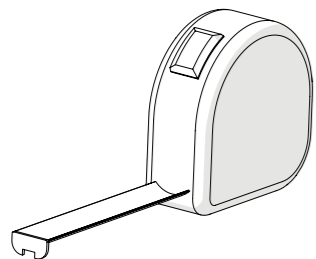
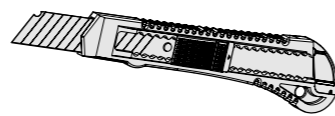
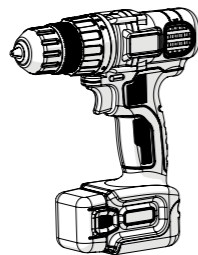
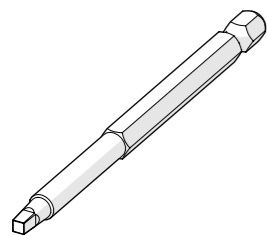


COMPLETE RESET LIGHTING SYSTEM
KOMPLETT ZURÜCKSETZEN LIGHTING SYSTEM
RÉINITIALISER COMPLÈTE DE LIGHTING SYSTEM
VOLLEDIGE RESET LIGHTING SYSTEM
CAŁKOWITY RESET LIGHTING SYSTEM

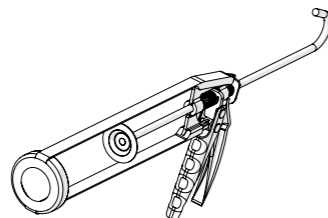


**SHORTEN LIGHTING SYSTEM
VERKÜRZEN LIGHTING SYSTEM
RACCOURCIR LIGHTING SYSTEM
INKORTEN LIGHTING SYSTEM
SKRACAĆ LIGHTING SYSTEM**

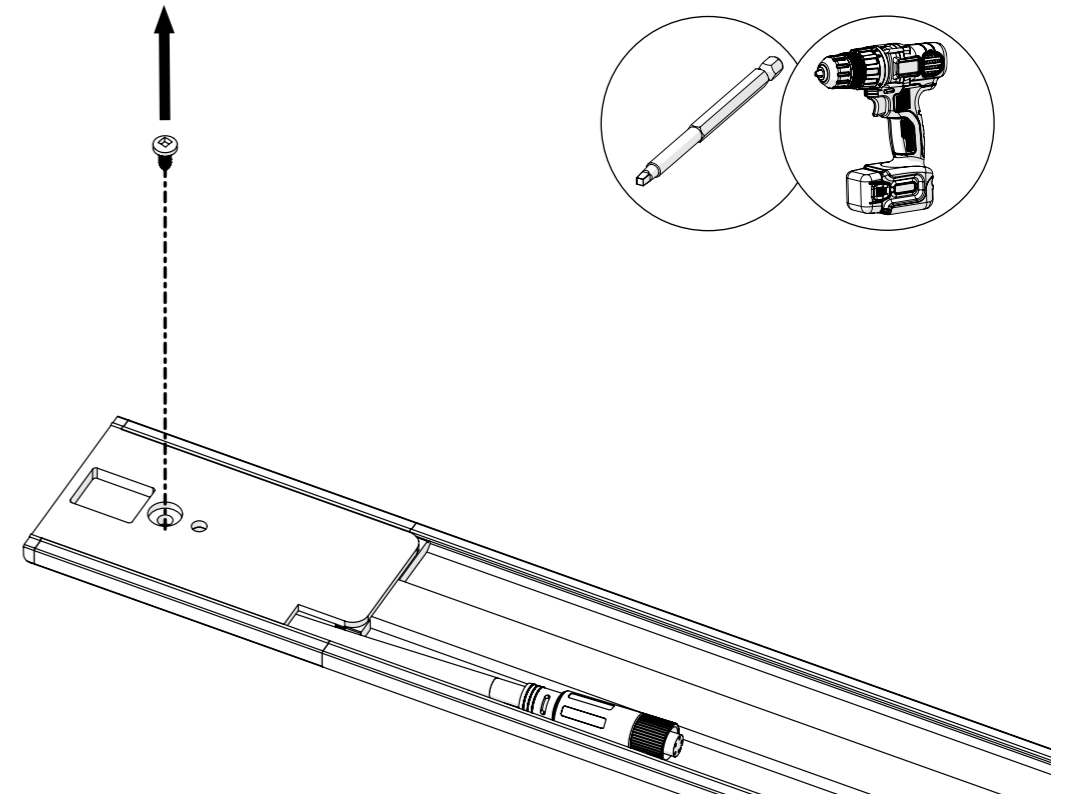
**TOOLS
WERKZEUGE
MATERIEL NECESSAIRE
GEREEDSCHAP
NARZĘDZIA**



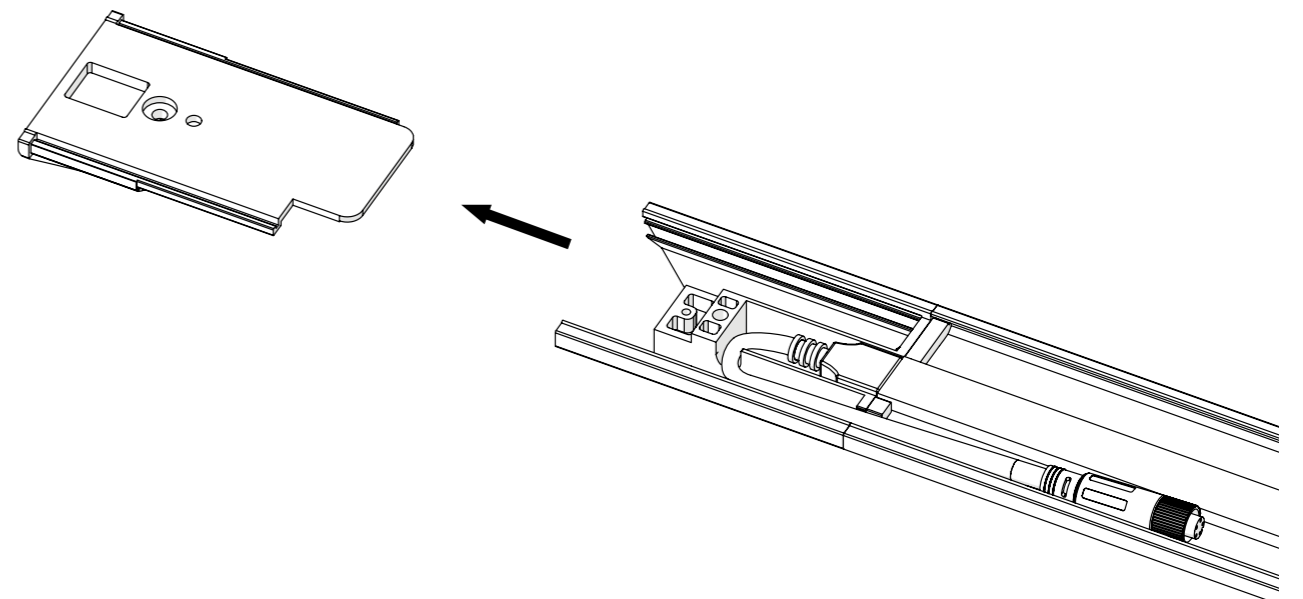
WATER TIGHT SEALANT



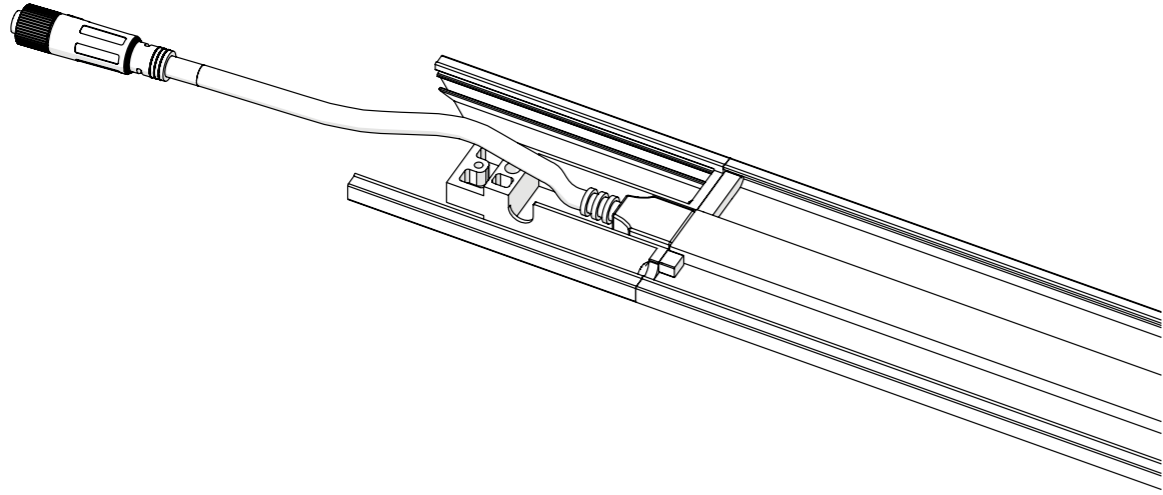
01



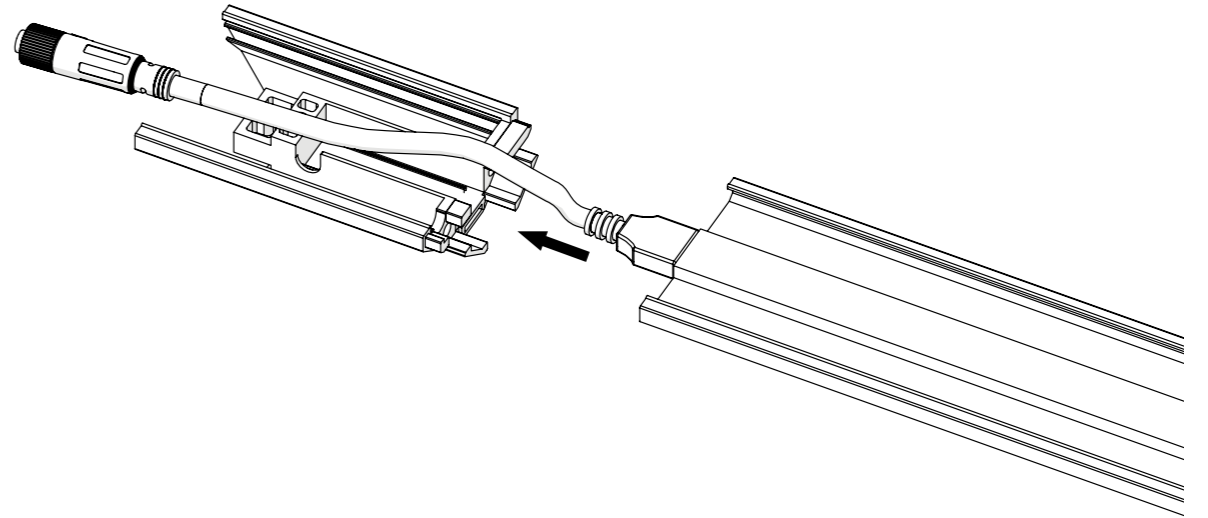
02



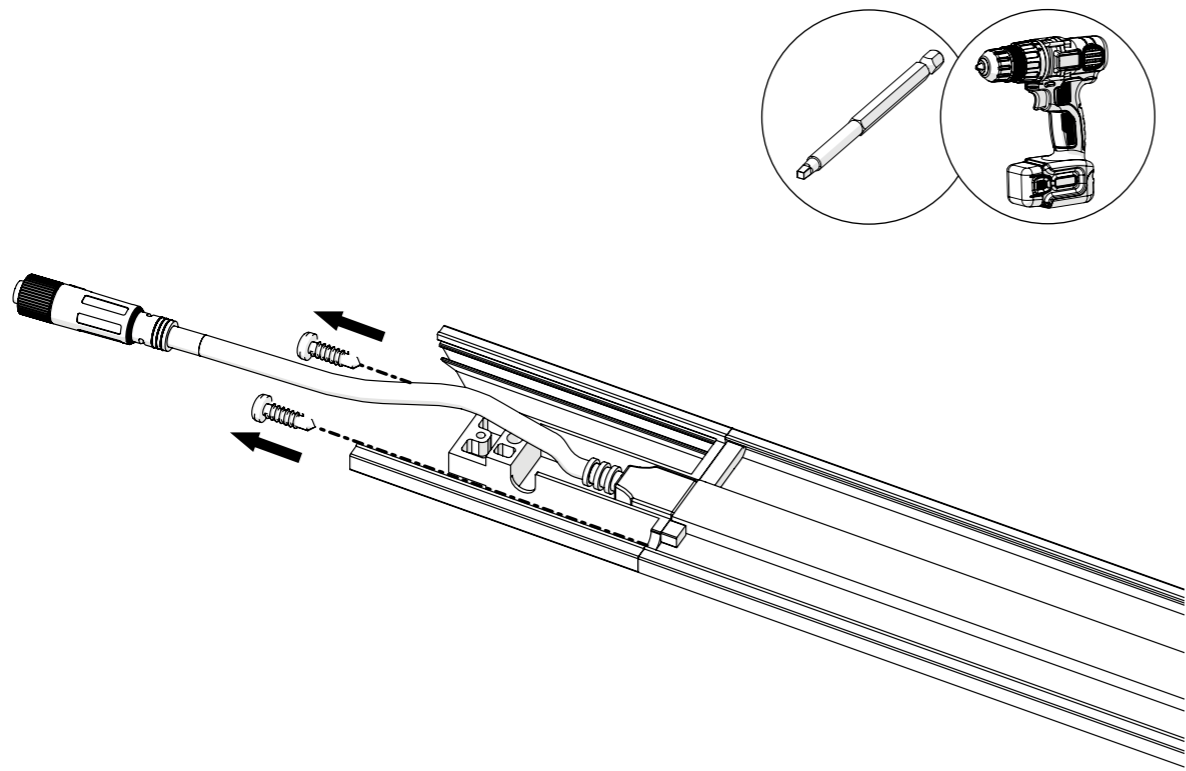
3



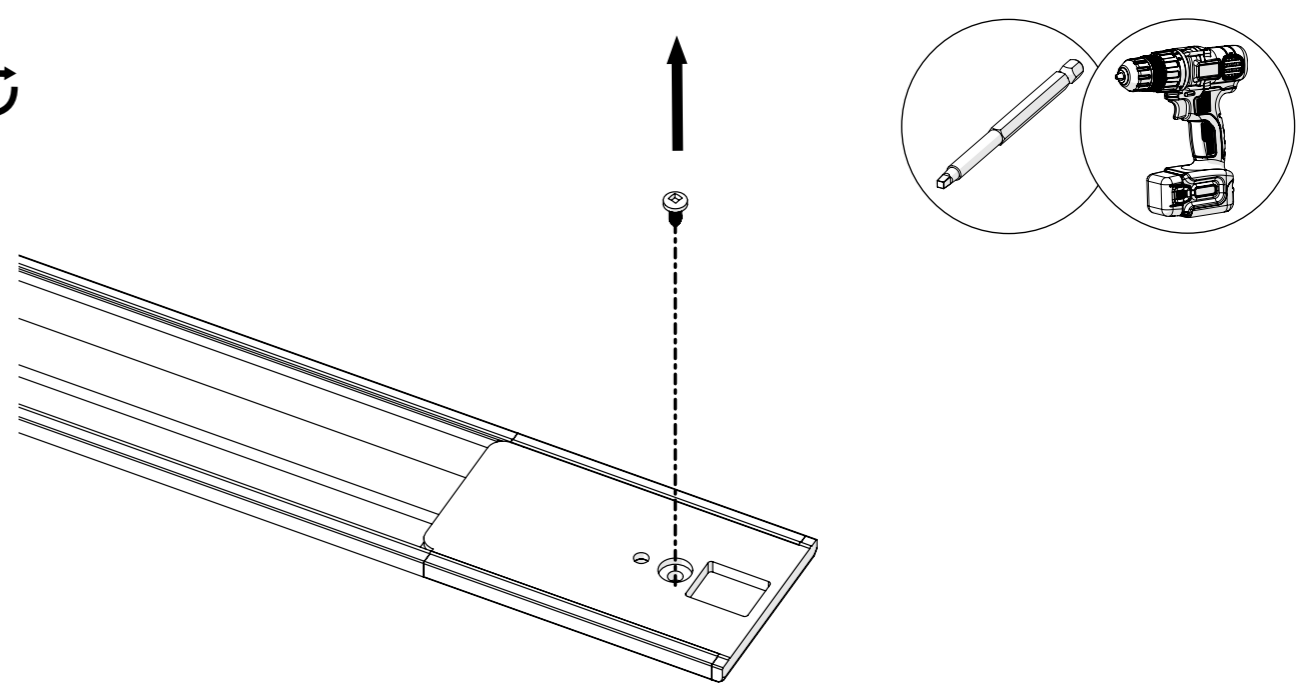
5

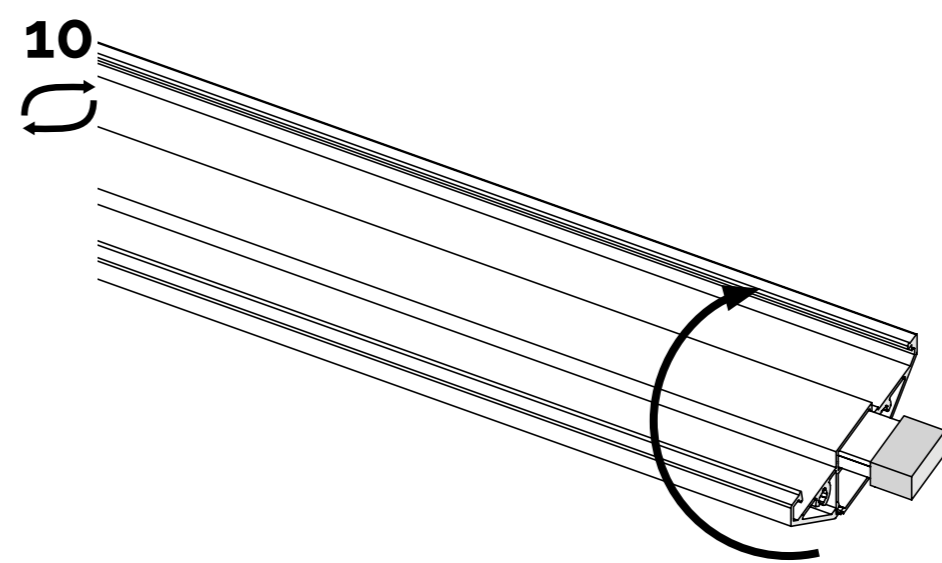
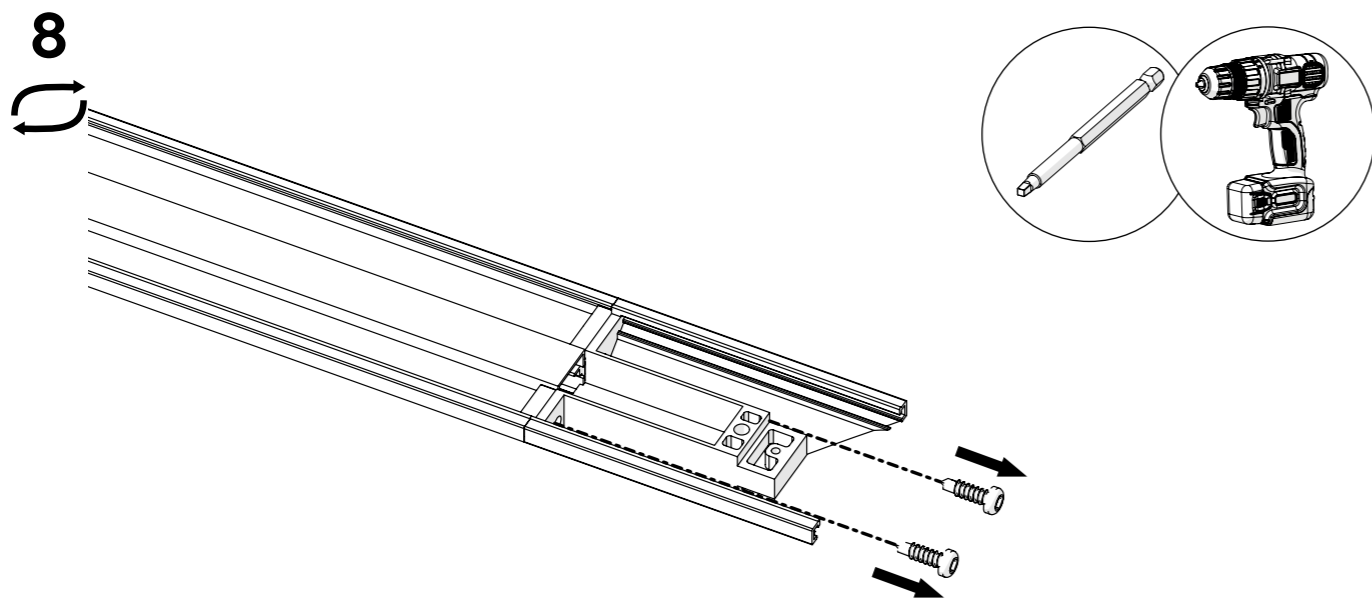
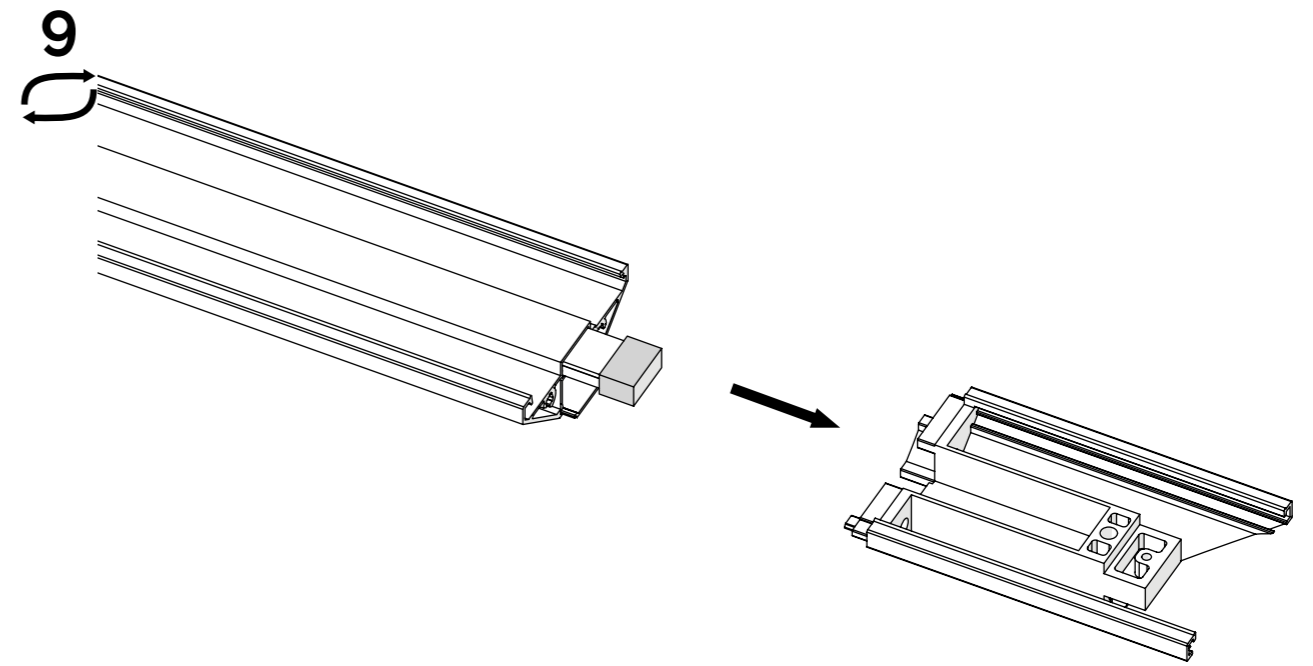
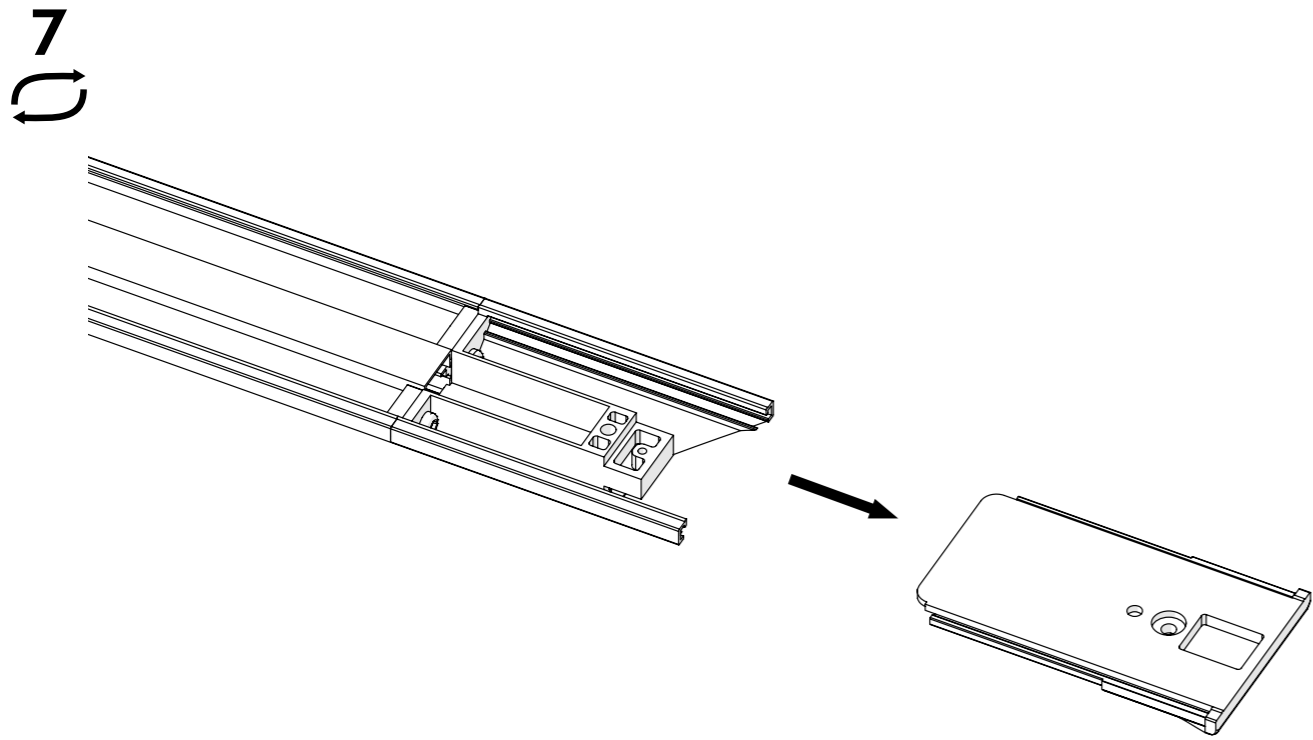


4

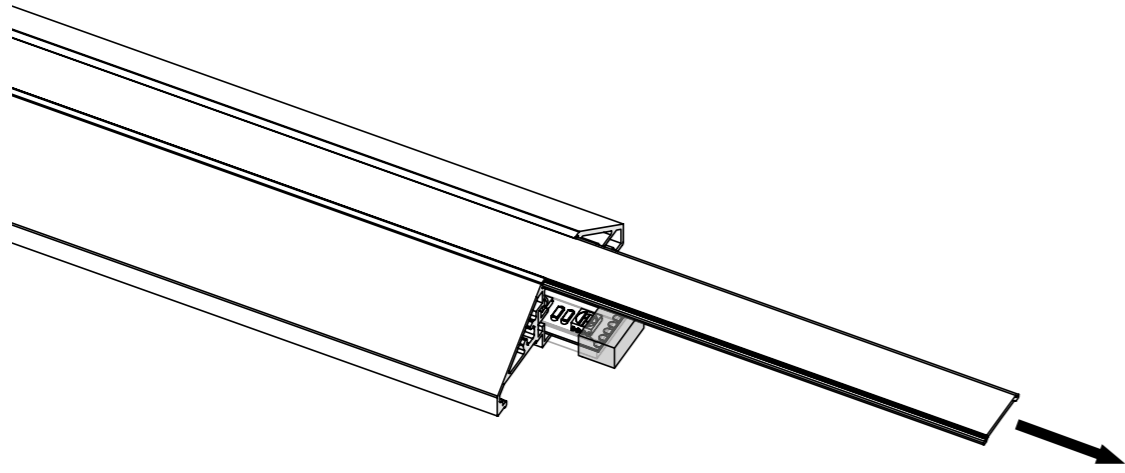


6

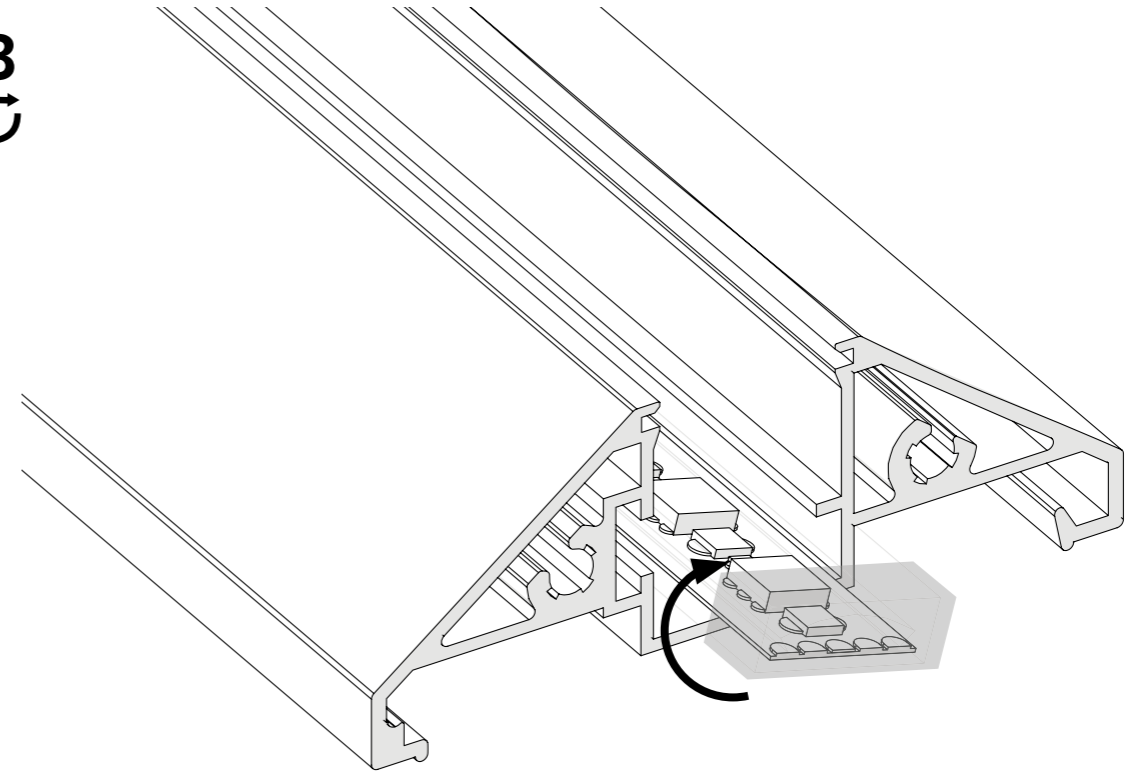




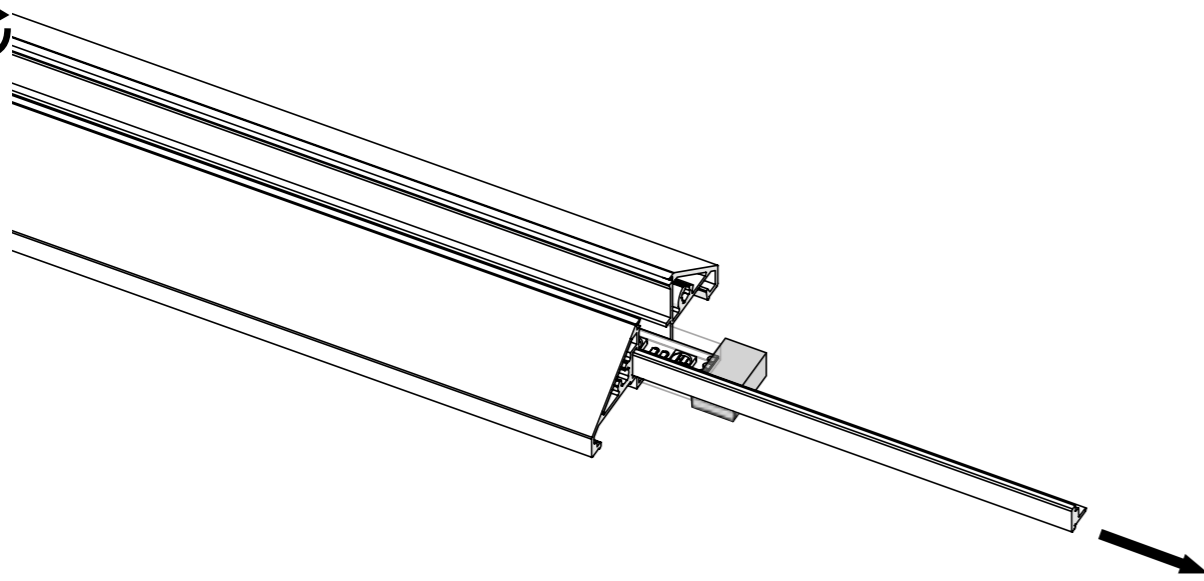
11



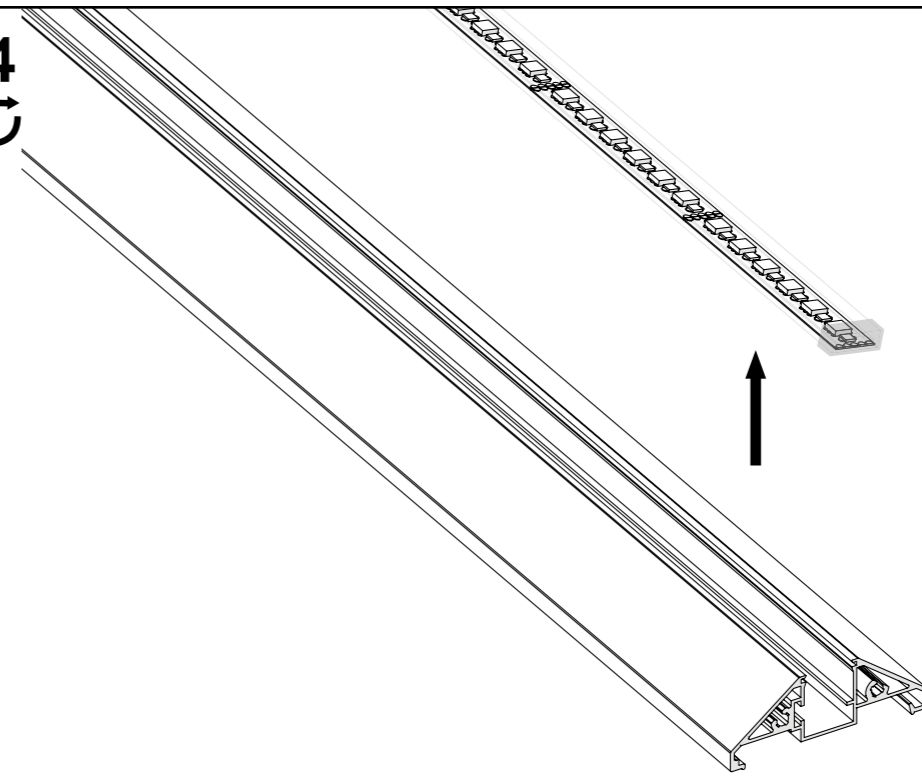
13



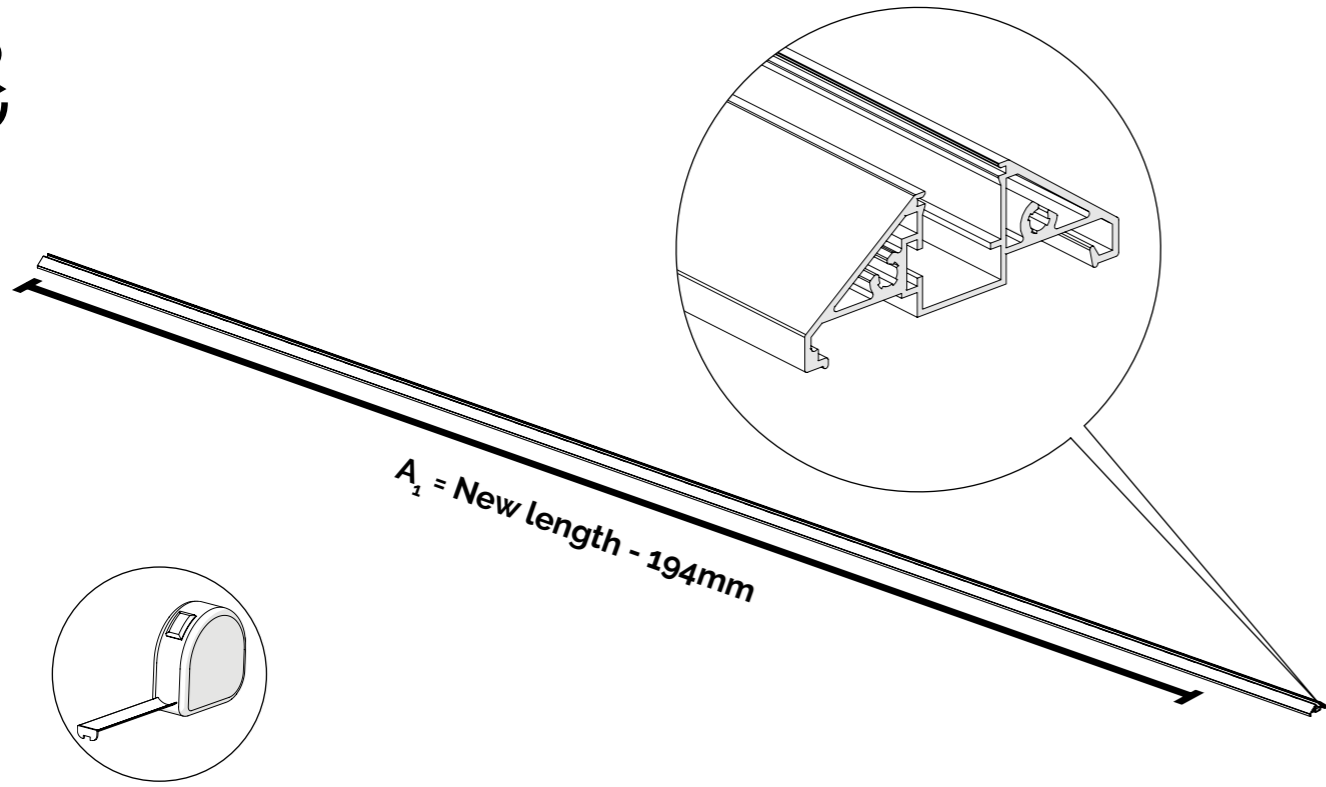
12



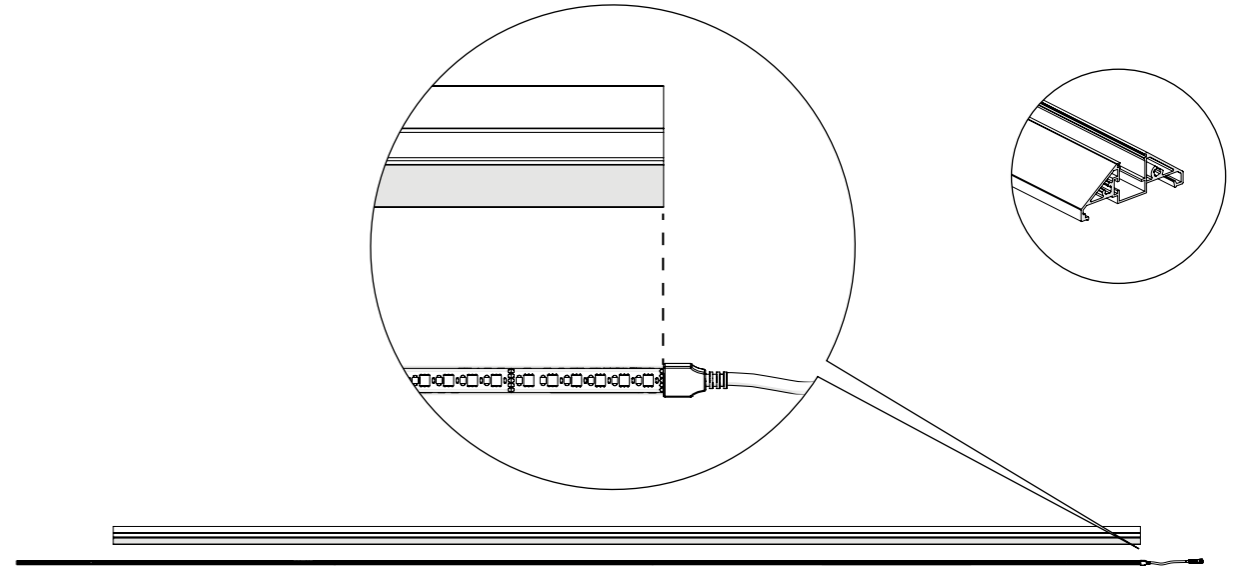
14



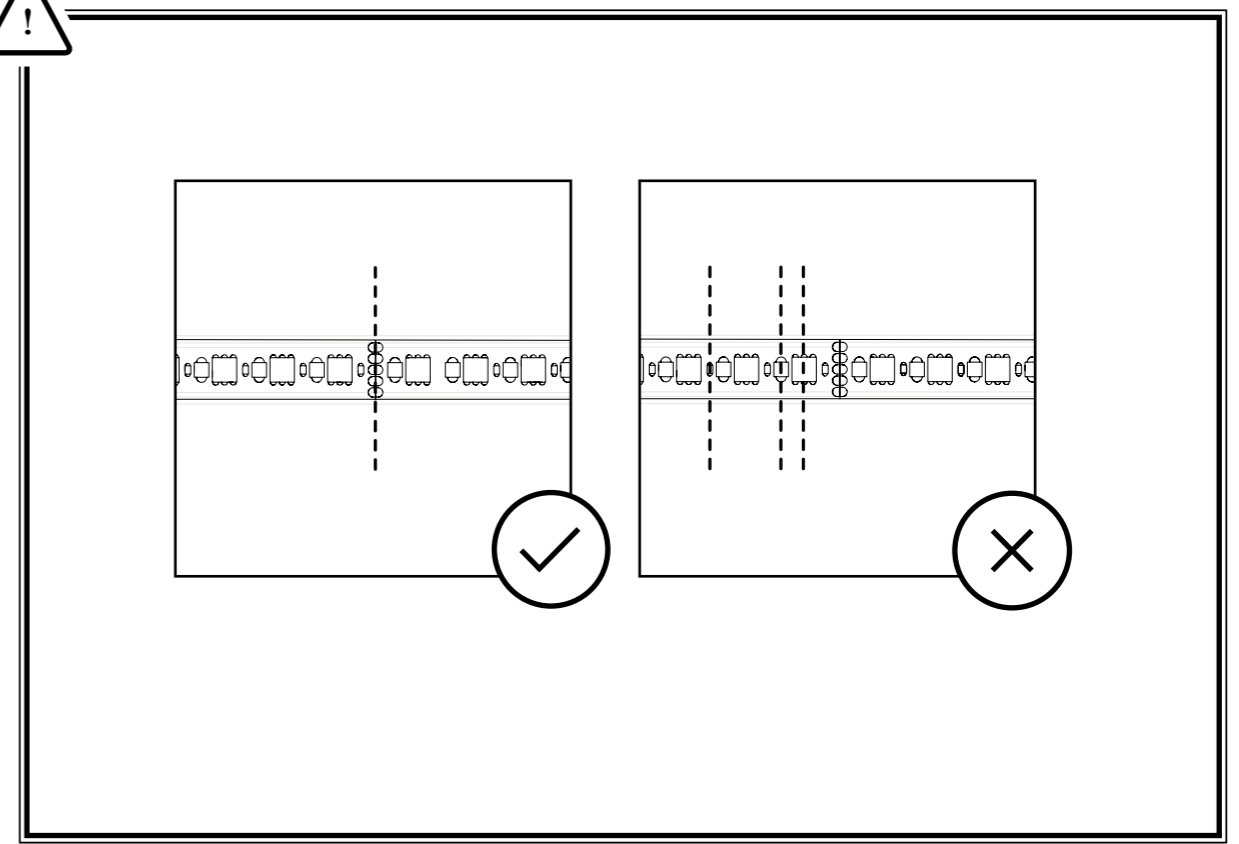
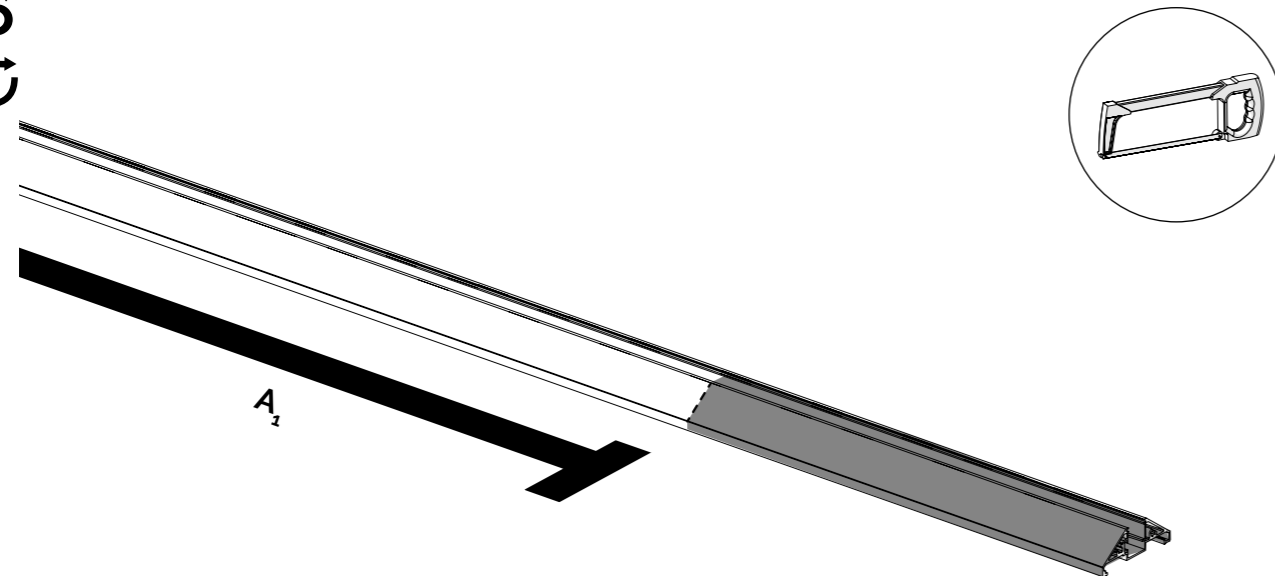
15



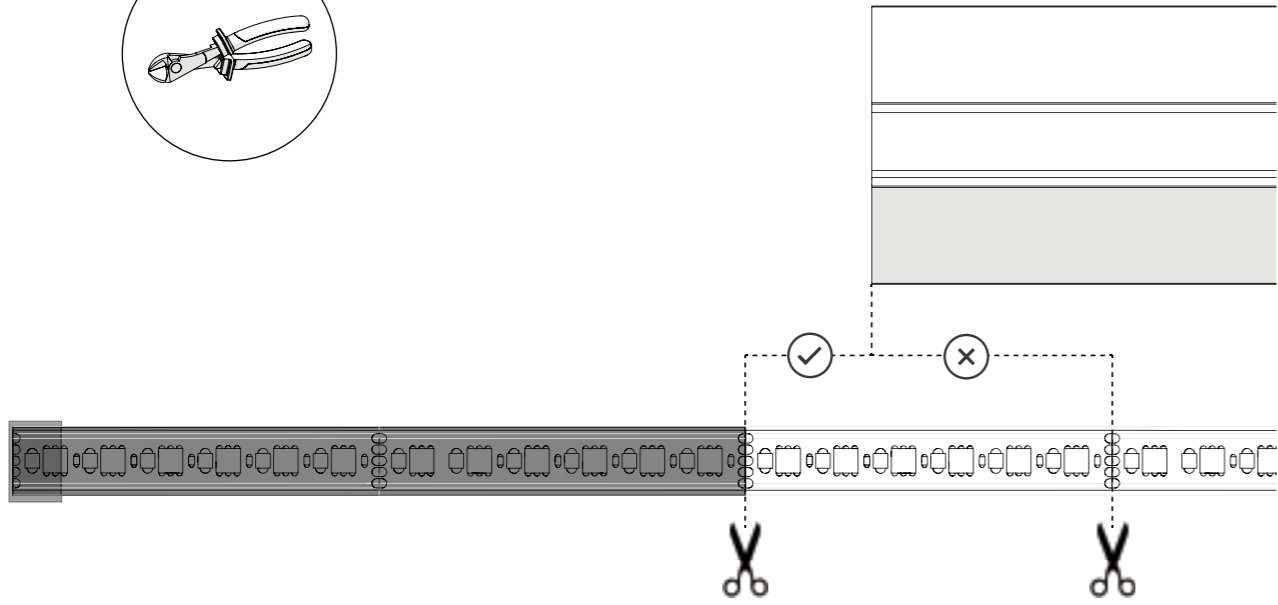
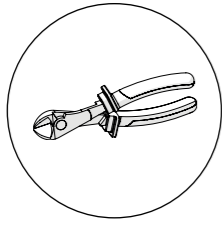
17



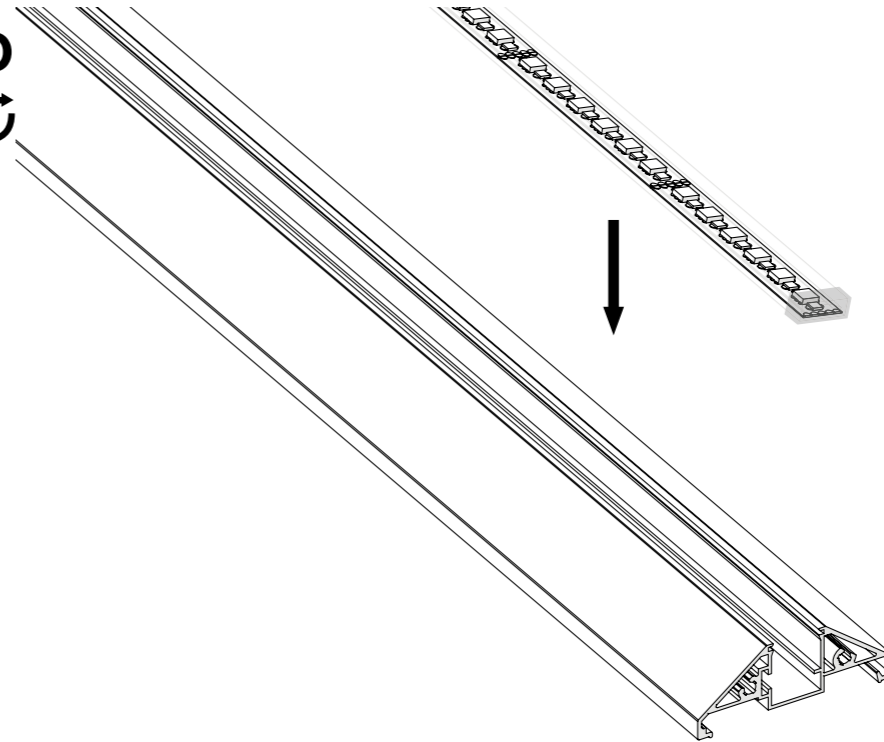
16



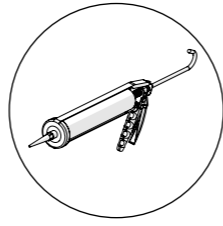
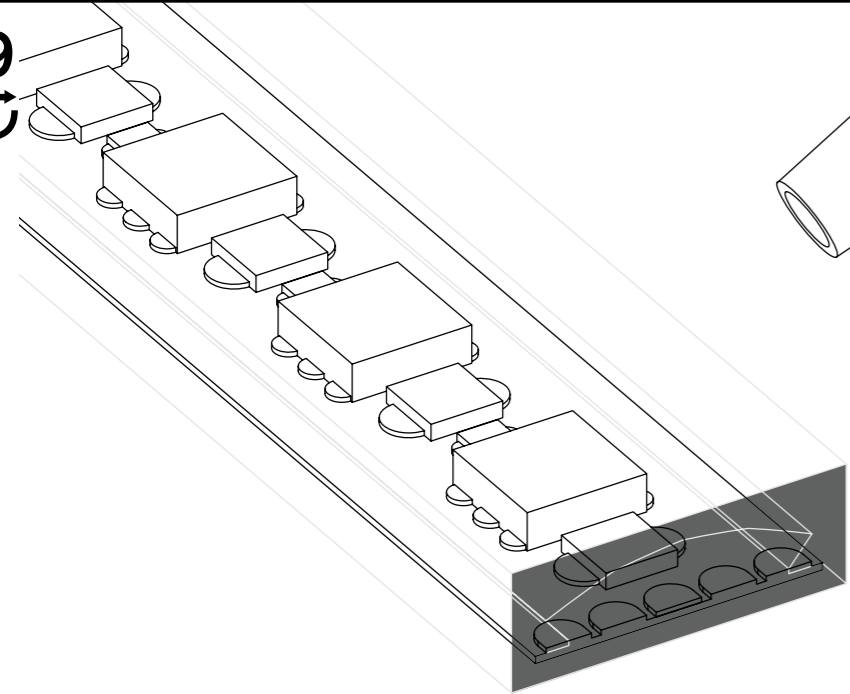
18



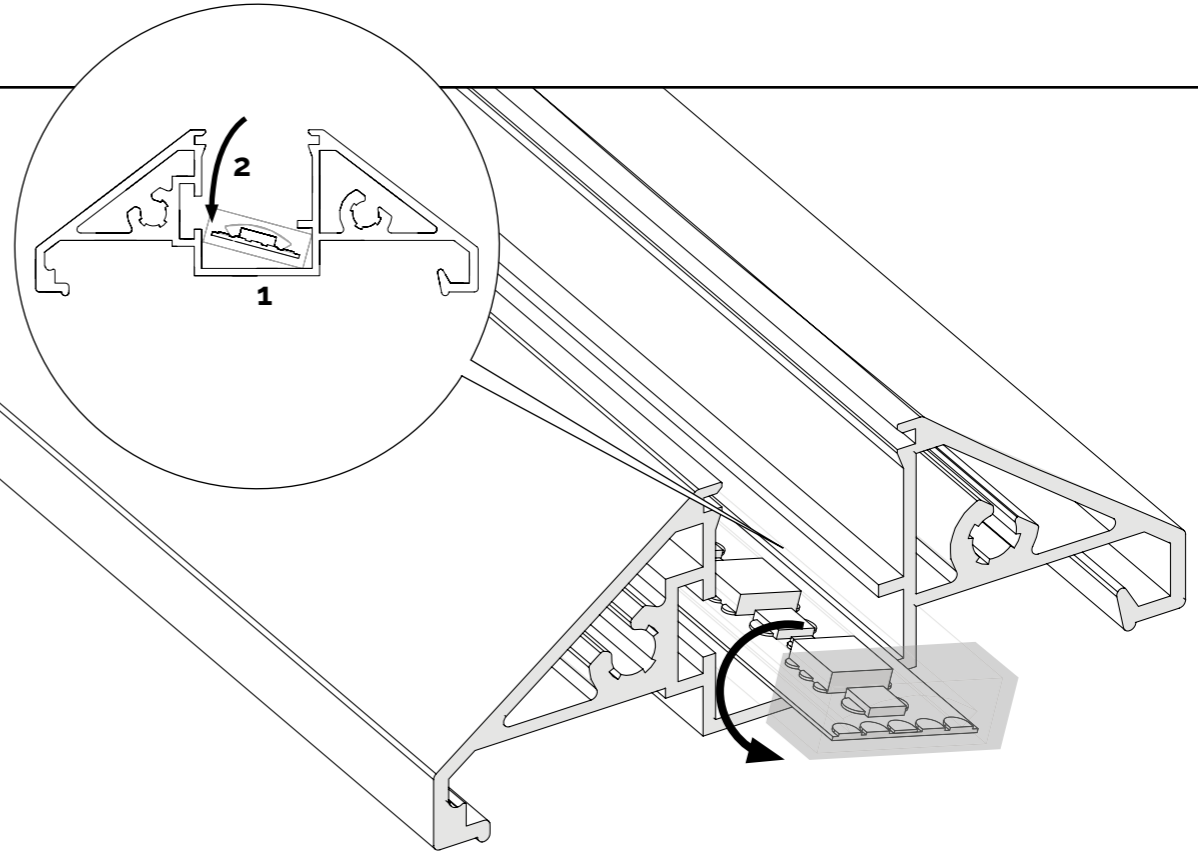
20



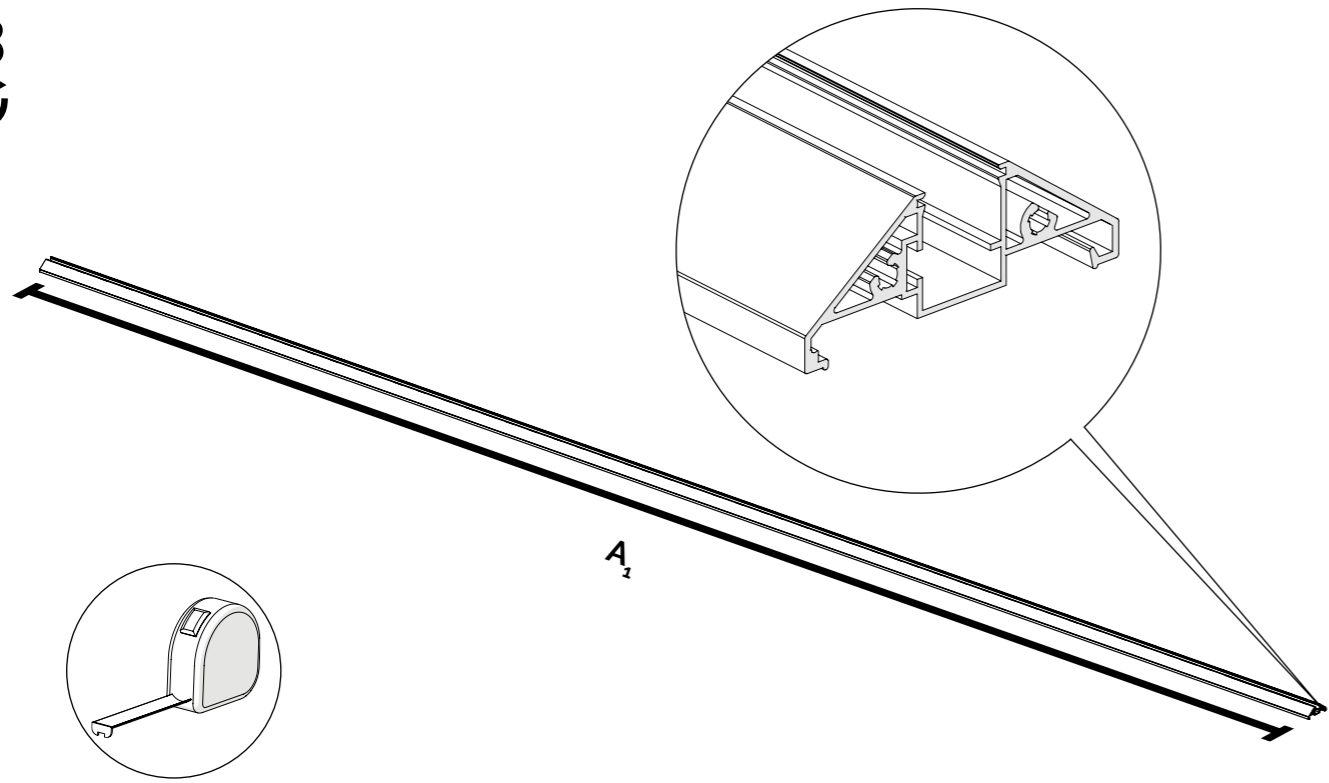
19



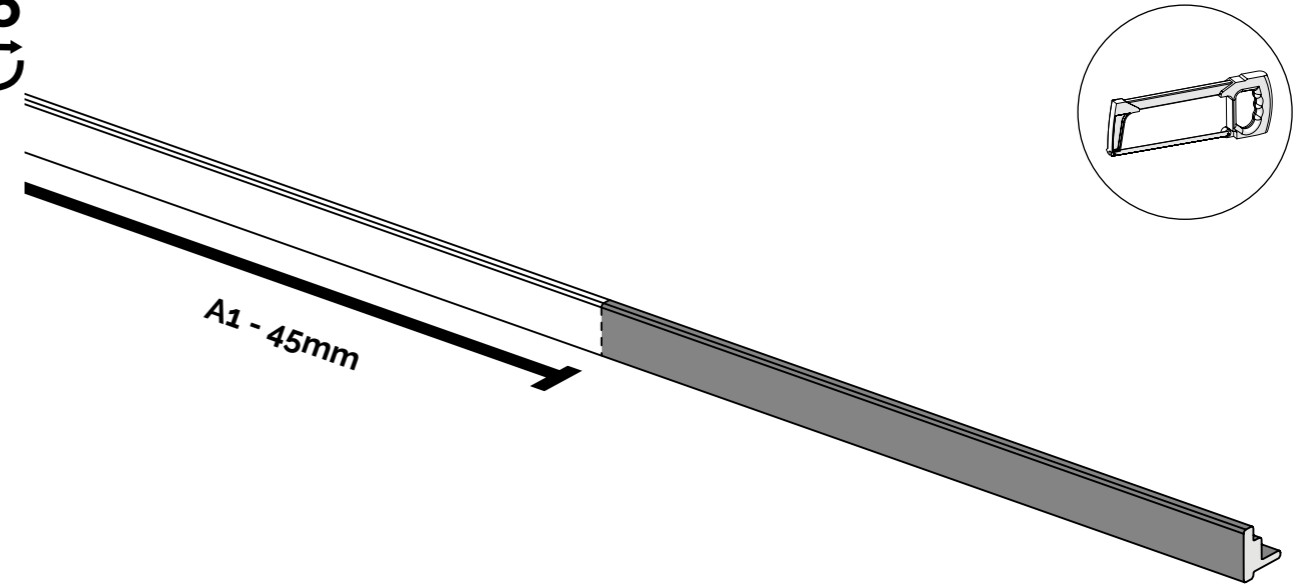
22



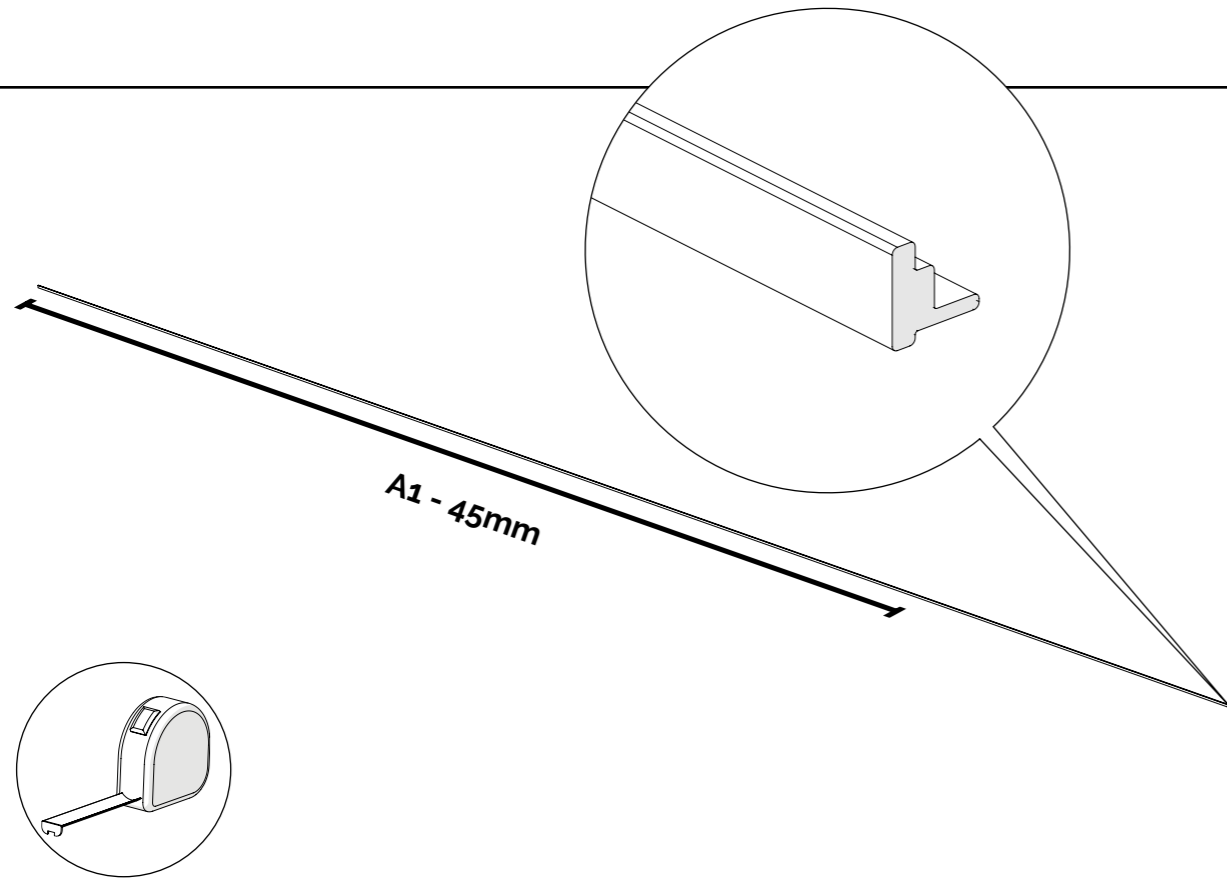
23
↻



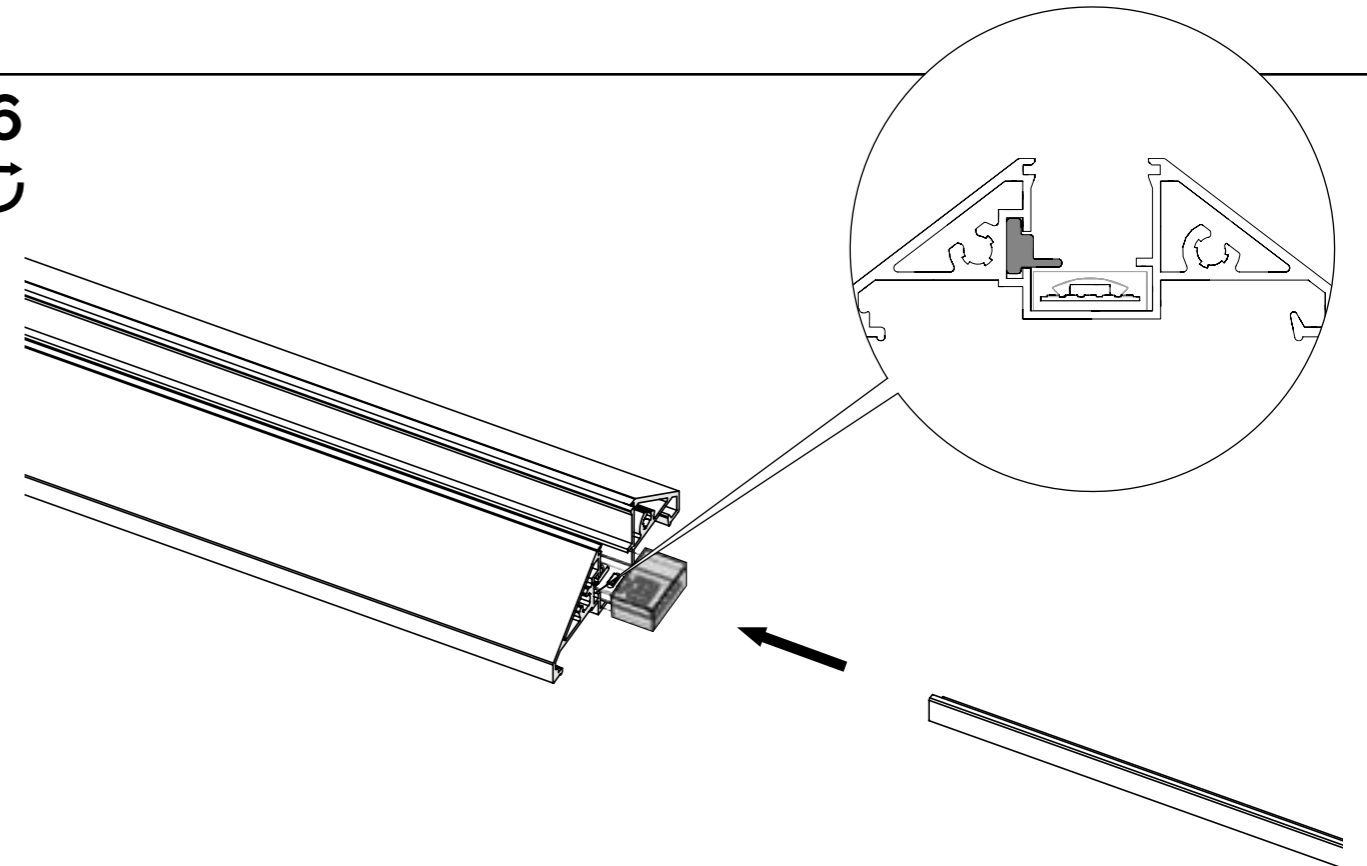
25
↻



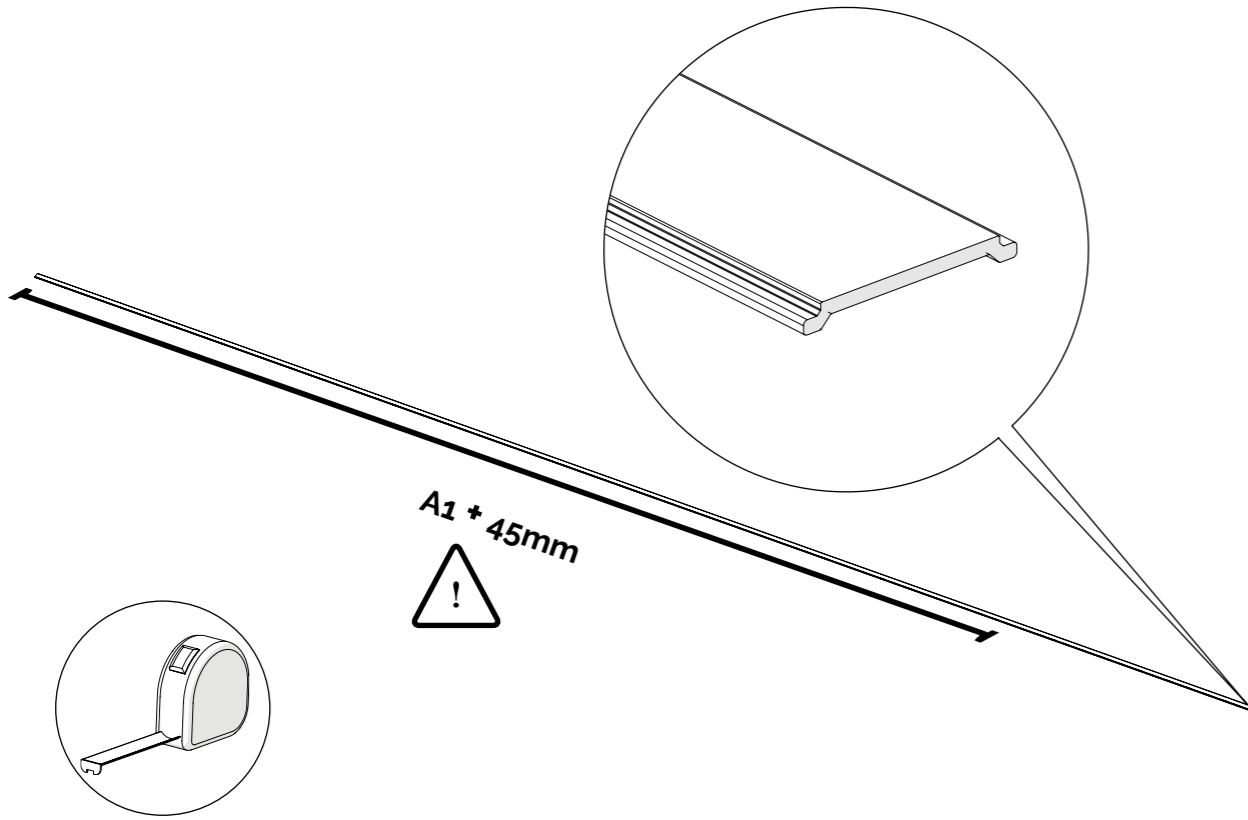
24
↻



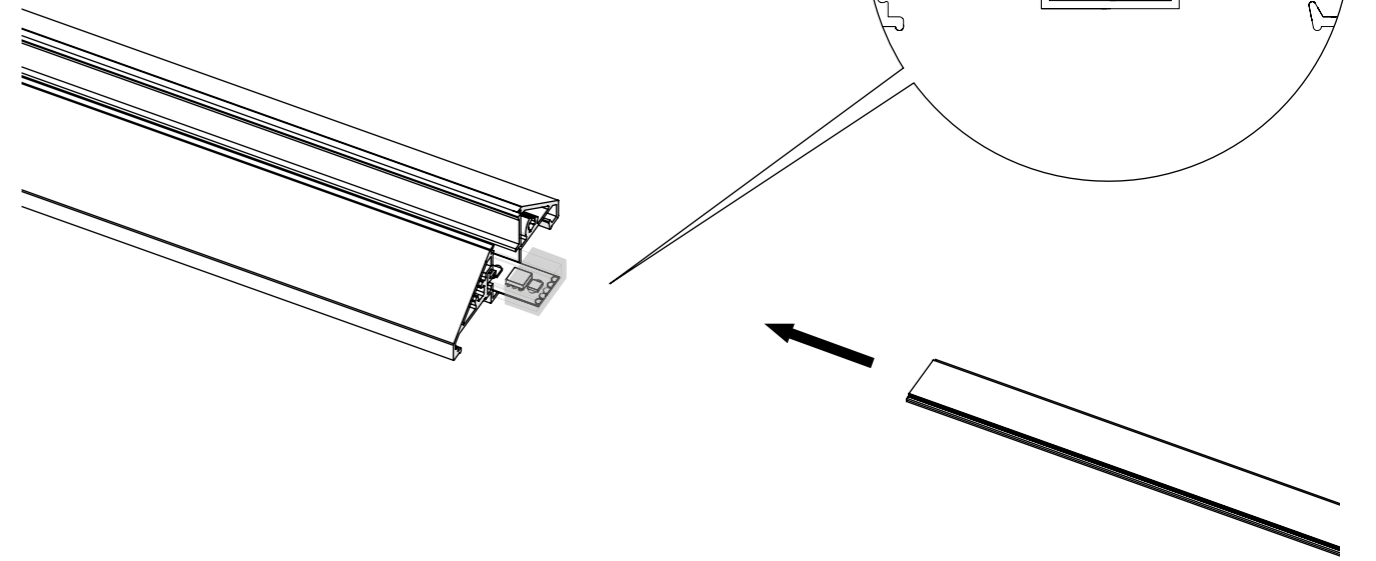
26
↻



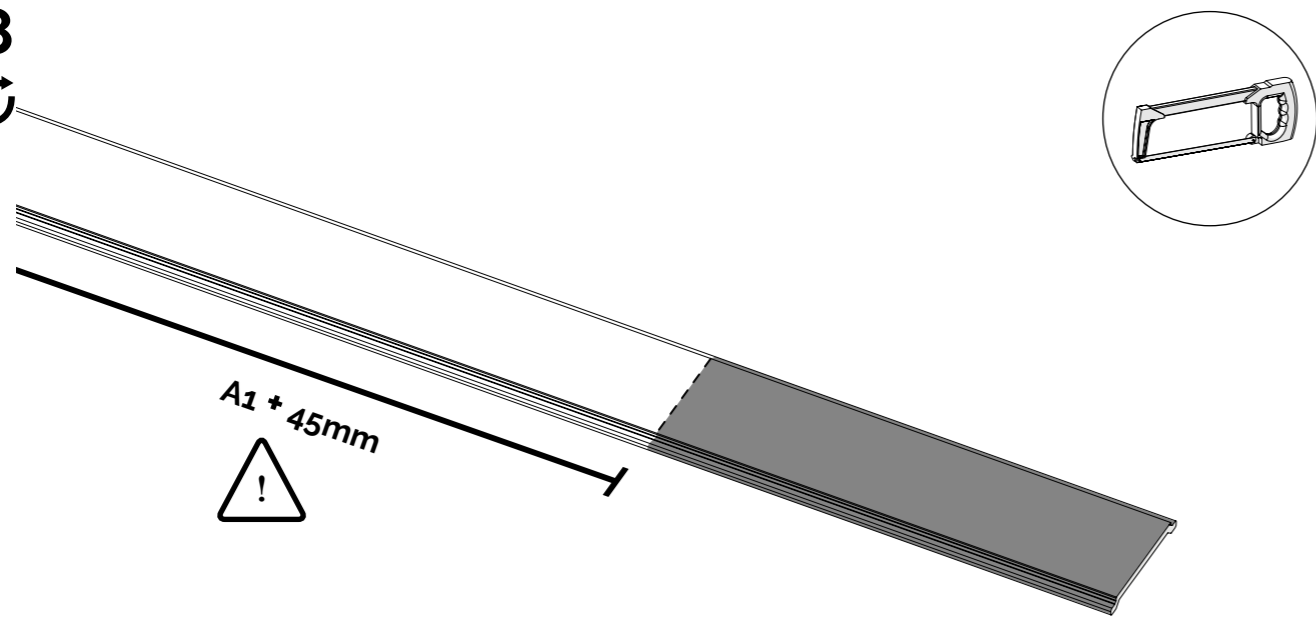
27
↺



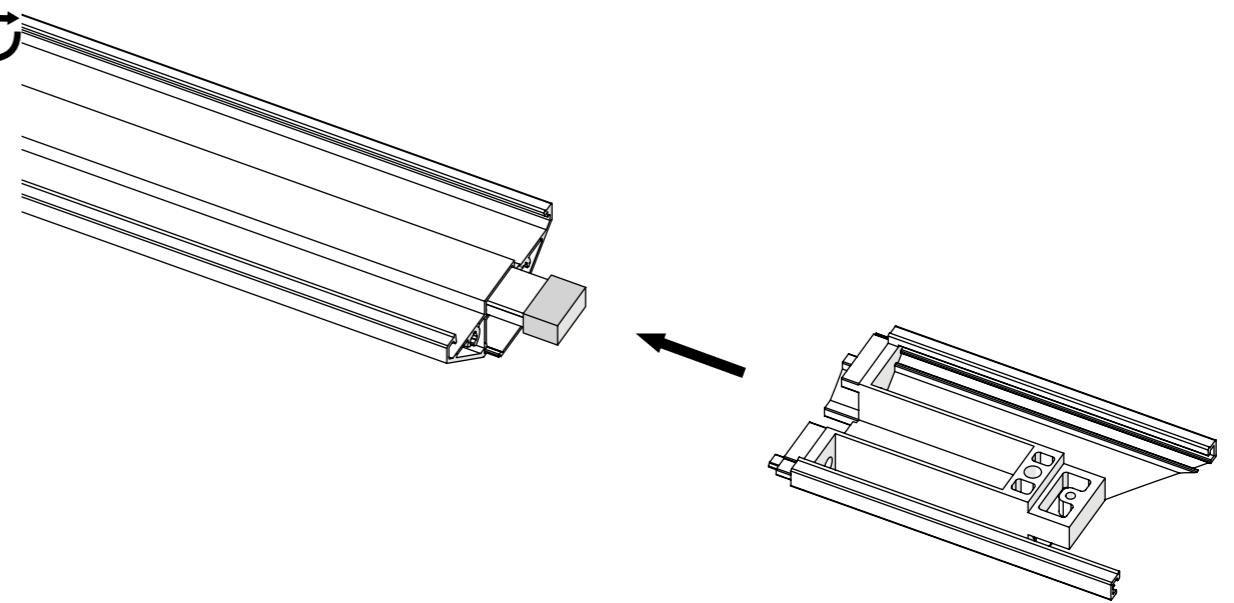
29
↺

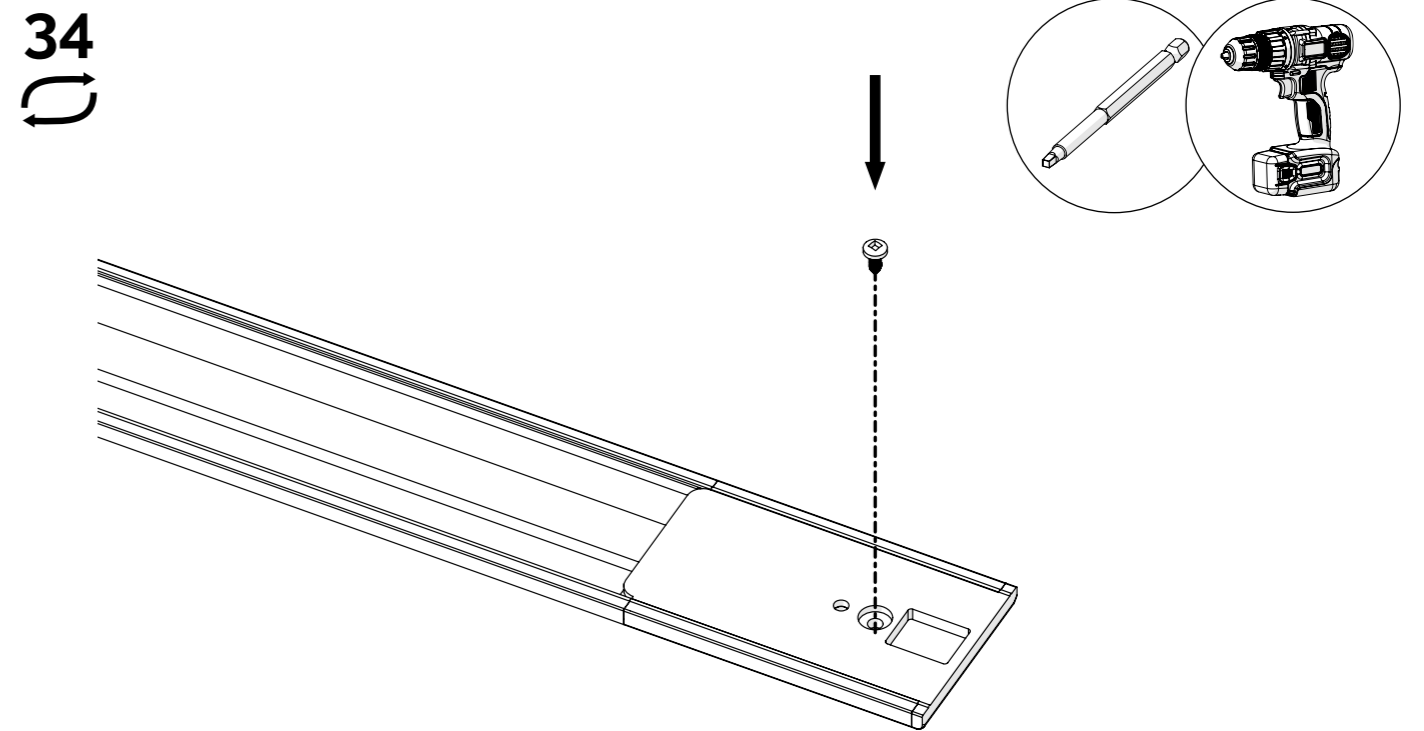
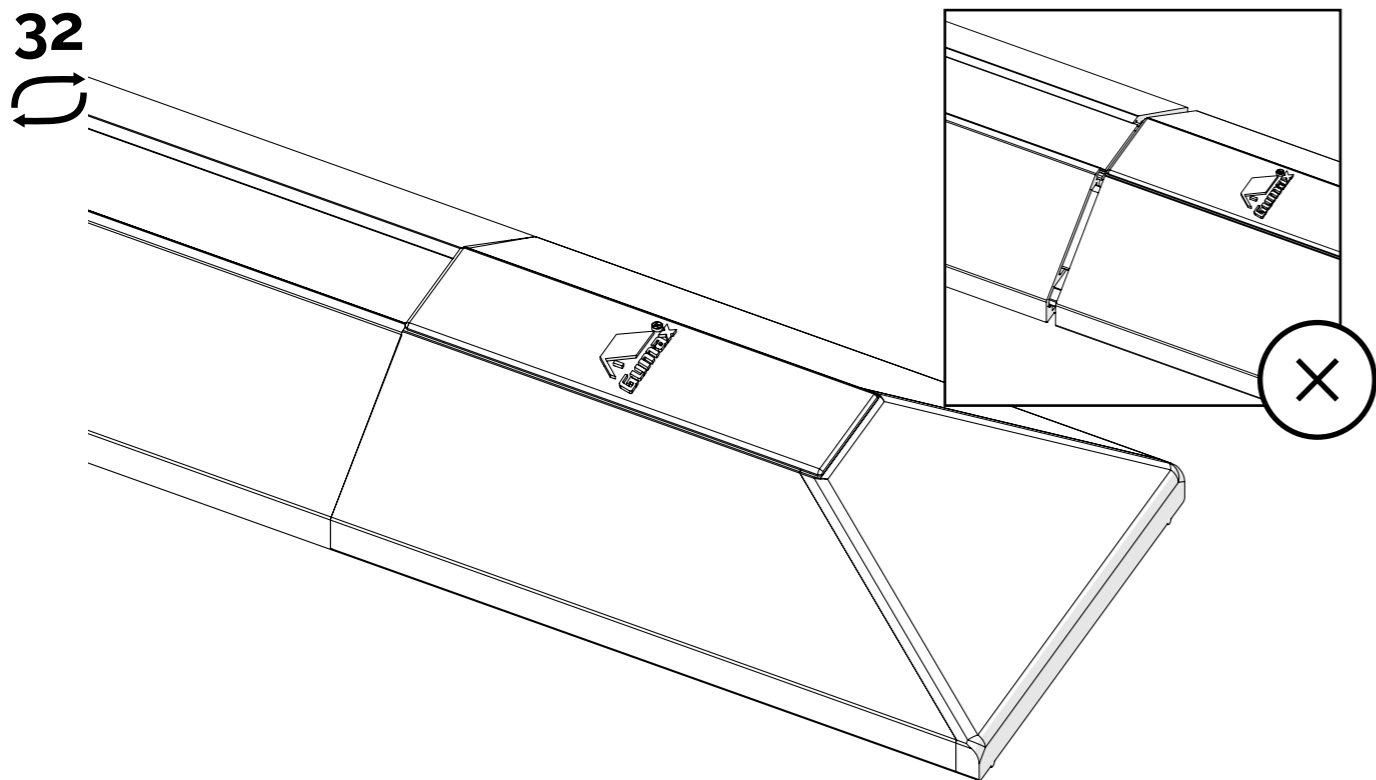
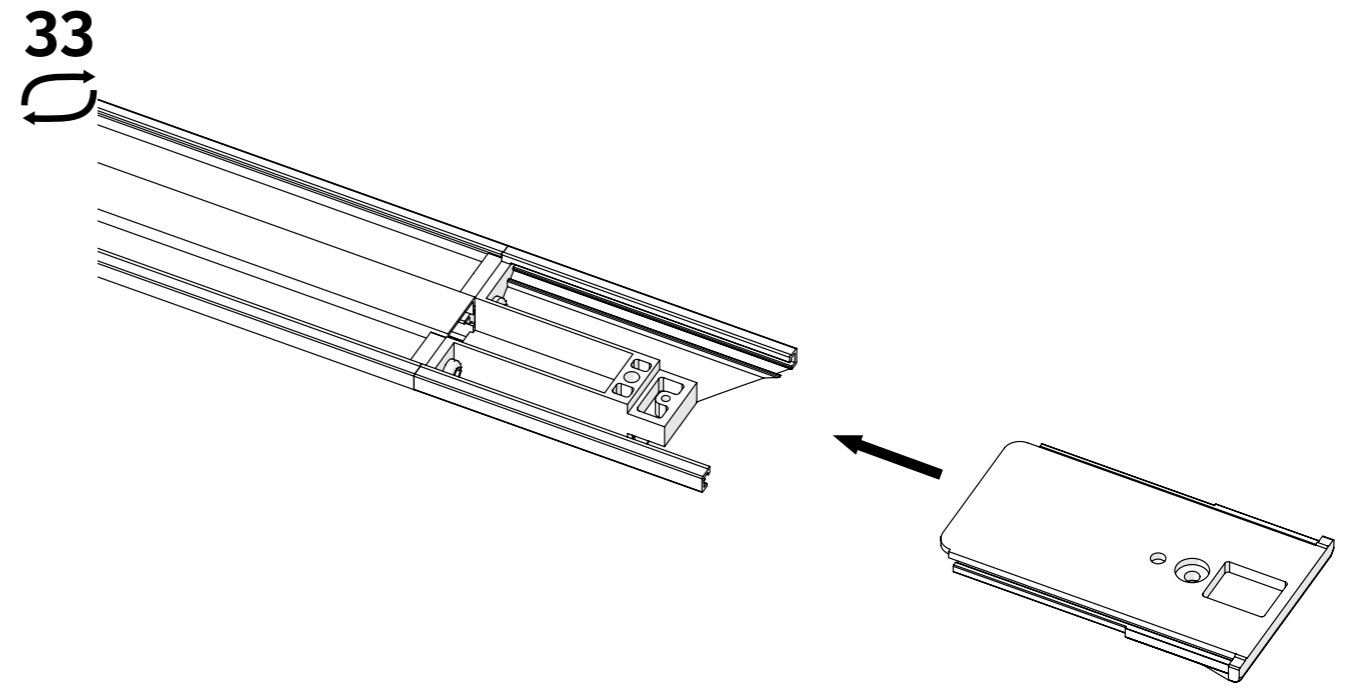
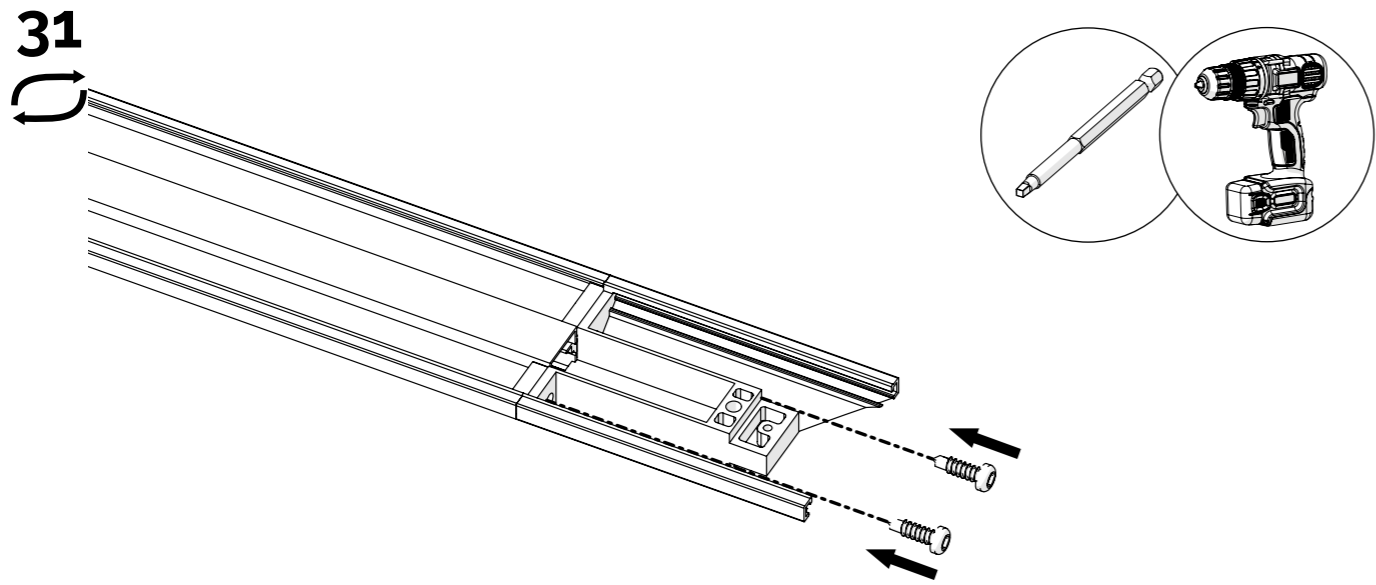


28
↺

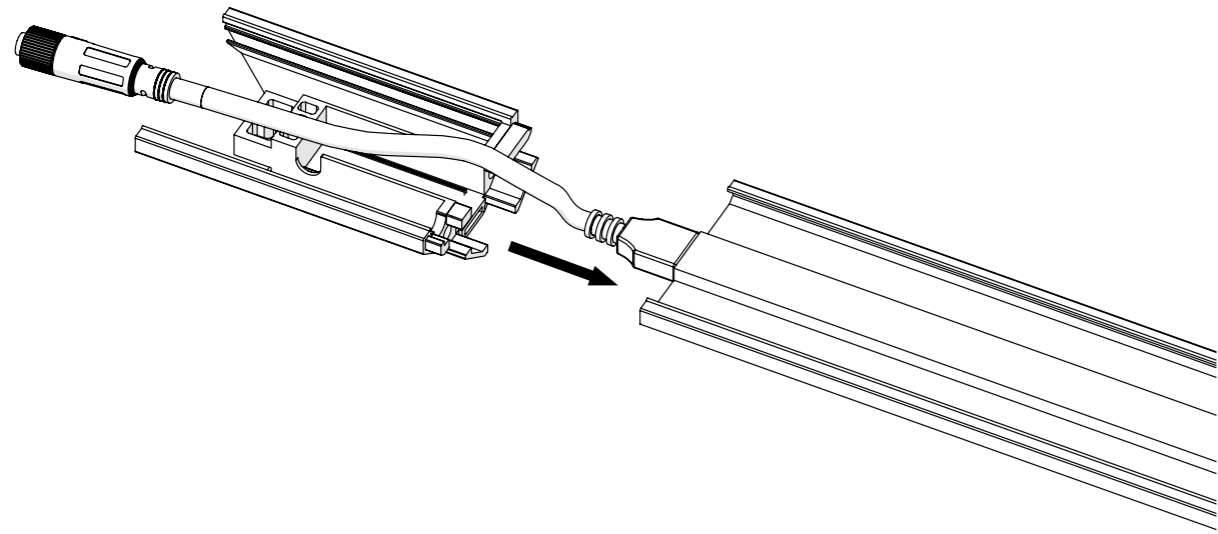


30
↺

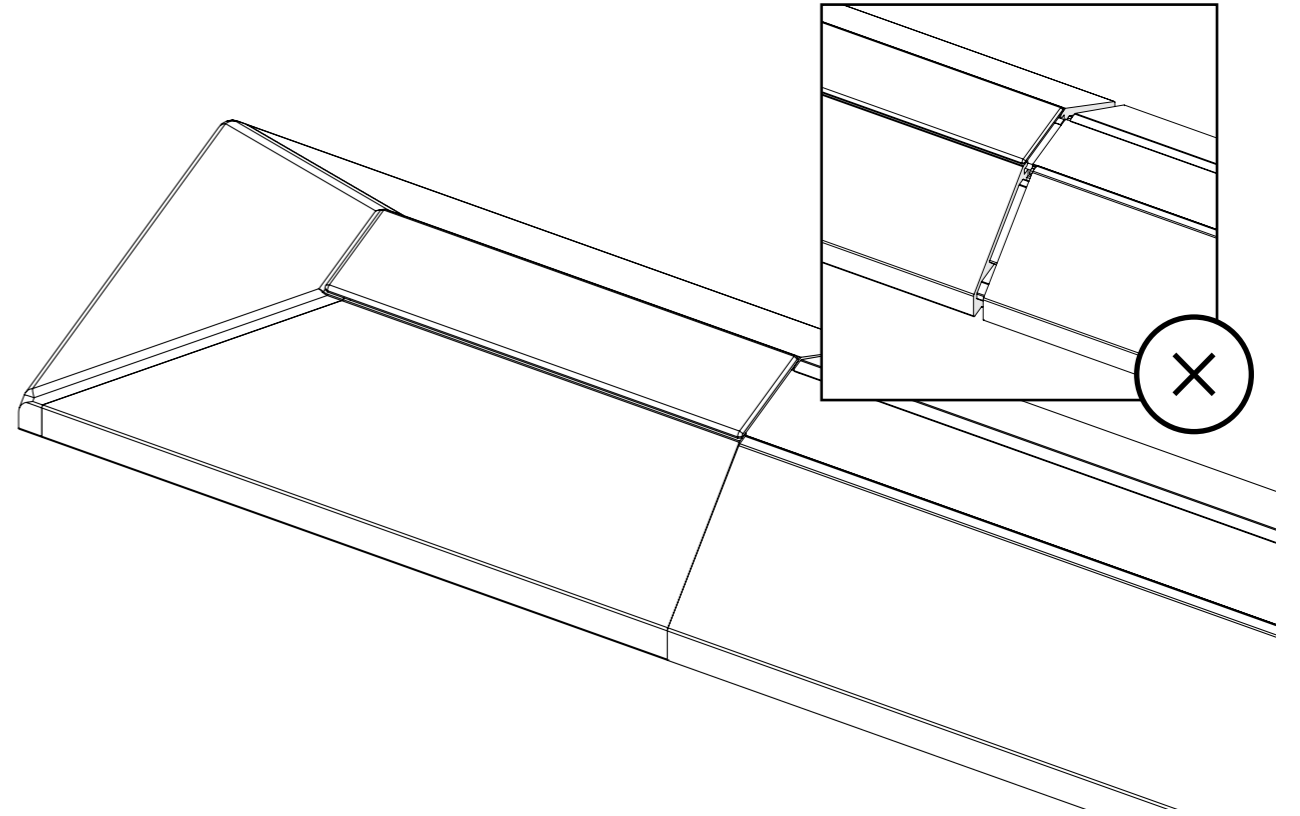




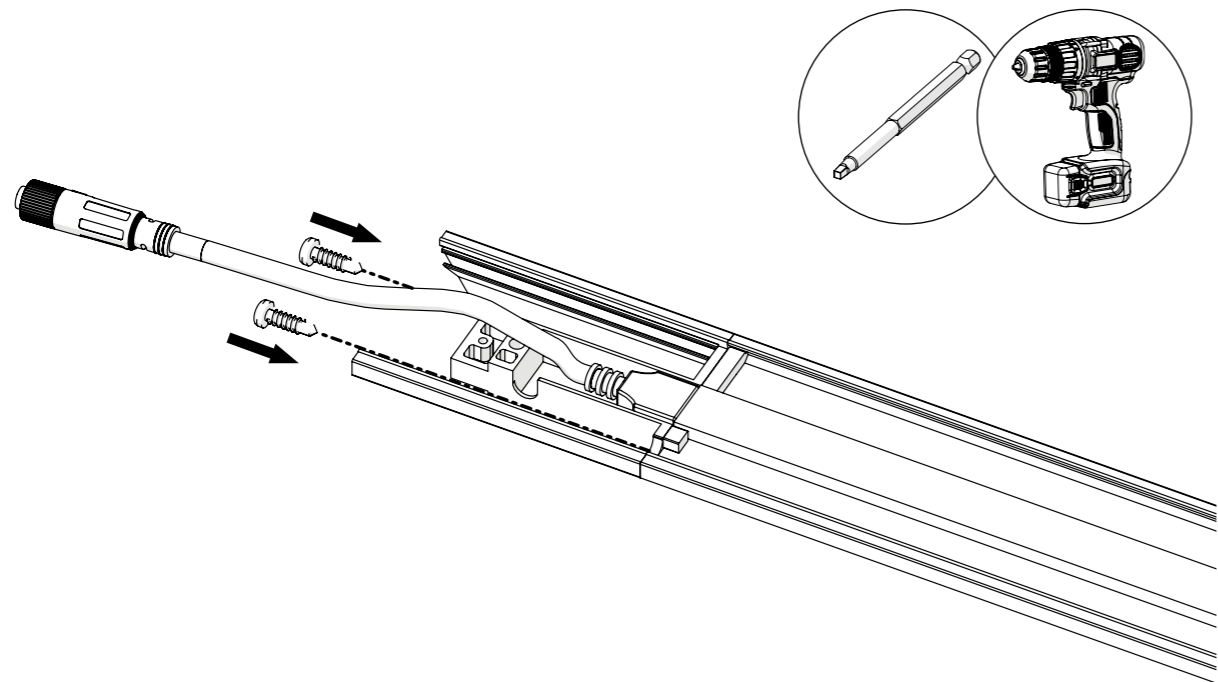
35
↻



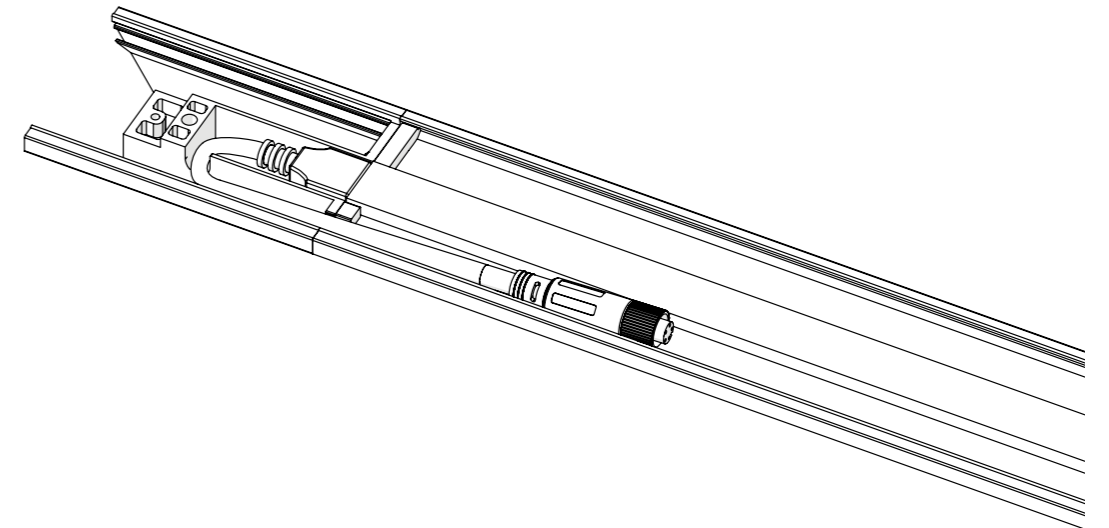
37
↻



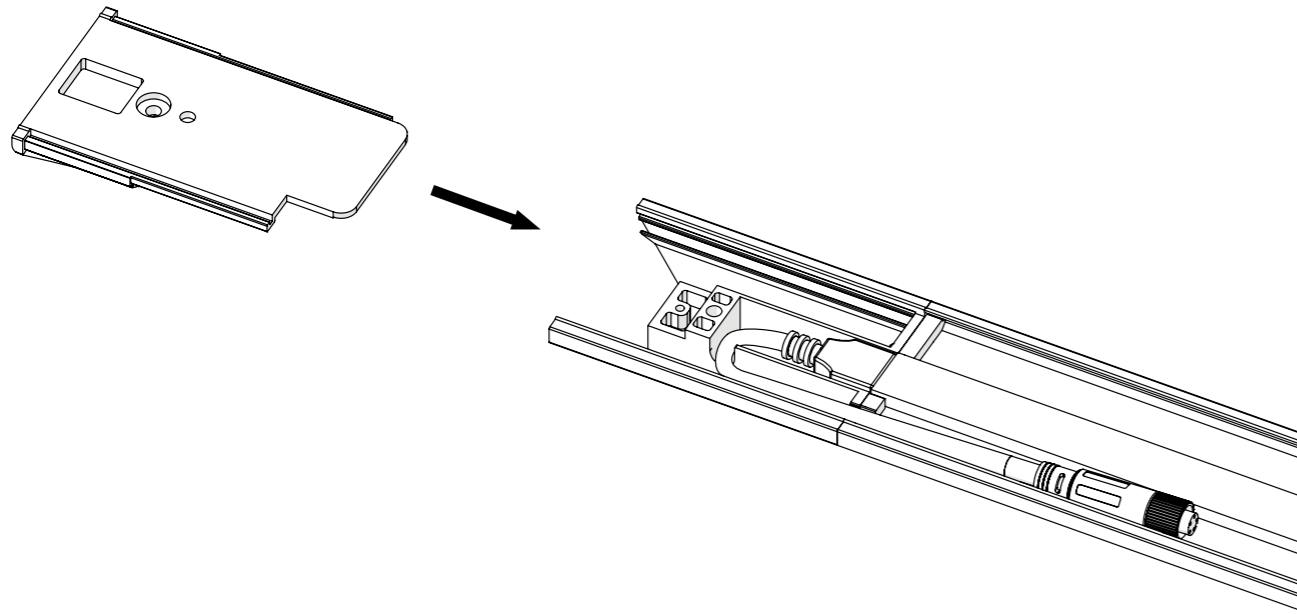
36
↻



38
↻

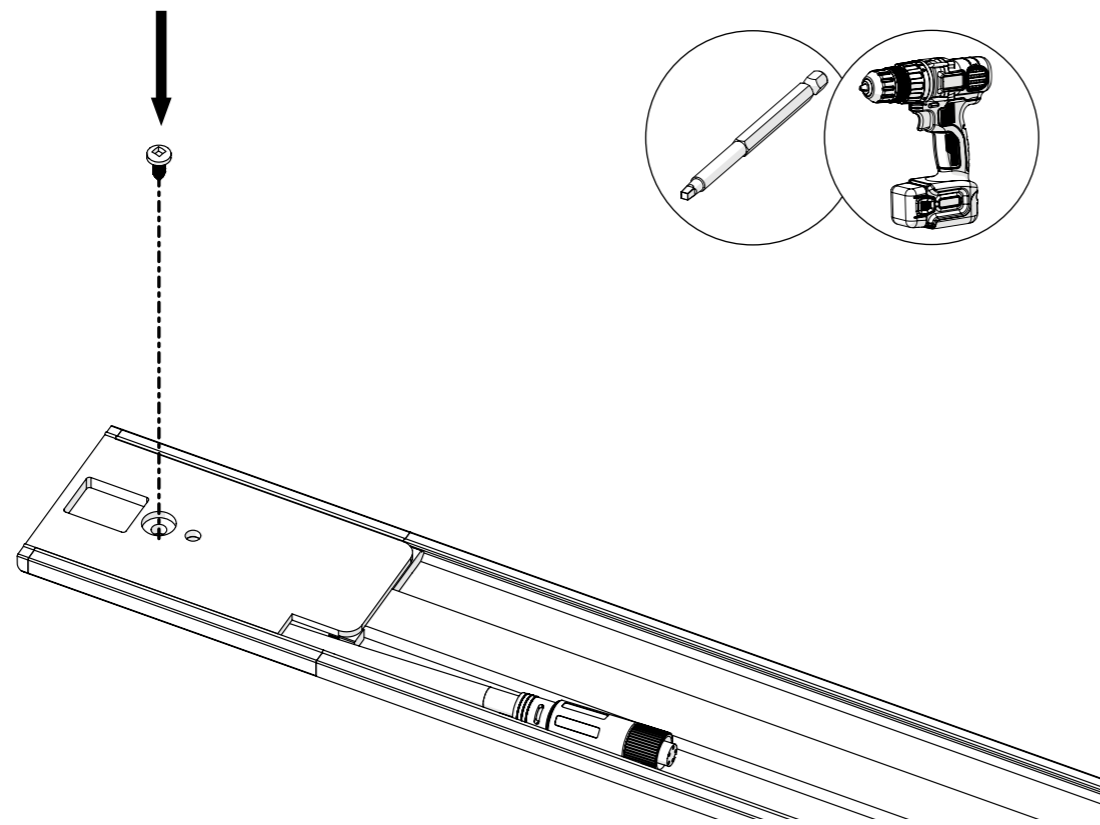


39



TECHNICAL SPECIFICATIONS GUMAX LIGHTING SYSTEM CONFIGURATIONS
TECHNISCHE DATEN GUMAX LIGHTING SYSTEM KONFIGURATIONEN
SPÉCIFICATIONS TECHNIQUES CONFIGURATIONS DU GUMAX LIGHTING SYSTEM
TECHNISCHE SPECIFICATIES GUMAX LIGHTING SYSTEM CONFIGURATIES
SPECYFIKACJE TECHNICZNE GUMAX LIGHTING SYSTEM KONFIGURACJE

40



Model No.	Watt- age /unit	Quantity of LED /unit	Quantity of resistor /unit	Length /unit	Rated voltage /max. wattage	Total power with LED driver	Max. length	LED	Weight of LED strip (kg)	Weight of LED strip with enclosure (kg)
COM-3400- 2.5-y	1.2W	6 pcs	8 pcs	71.4mm	24VDC /15W	17W	2284mm	5050RGBW	0.19	1.8
	1.2W	6 pcs 2835W 6 pcs 5050 RGBW	5 pcs	75.5mm	24VDC /15W	17W	2265mm	2835W 5050RGBW	0.19	1.8
COM-3400- 3.0-y	1.2W	6 pcs	8 pcs	71.4mm	24VDC /19W	21W	2784mm	5050RGBW	0.22	2.1
	1.2W	6 pcs 2835W 6 pcs 5050 RGBW	5 pcs	75.5mm	24VDC /19W	21W	2793mm	2835W 5050RGBW	0.22	2.1
COM-3400- 3.5-y	1.2W	6 pcs	8 pcs	71.4mm	24VDC /22W	24W	3284mm	5050RGBW	0.25	2.5
	1.2W	6 pcs 2835W 6 pcs 5050 RGBW	5 pcs	75.5mm	24VDC /22W	24W	3322mm	2835W 5050RGBW	0.25	2.5
COM-3400- 4.0-y	1.2W	6 pcs	8 pcs	71.4mm	24VDC /24W	26W	3784mm	5050RGBW	0.28	2.9
	1.2W	6 pcs 2835W 6 pcs 5050 RGBW	5 pcs	75.5mm	24VDC /24W	26W	3775mm	2835W 5050RGBW	0.28	2.9


ENERG

Gumax
Gumax Lighting System COM-3400-2,5-y

A
B
C
D
E
F
G

F

33
kWh/1000h



2019/2015


ENERG

Gumax
Gumax Lighting System COM-3400-3,0-y

A
B
C
D
E
F
G

F

41
kWh/1000h



2019/2015


ENERG

Gumax
Gumax Lighting System COM-3400-3,5-y

A
B
C
D
E
F
G

F

48
kWh/1000h



2019/2015


ENERG

Gumax
Gumax Lighting System COM-3400-4,0-y


A
B
C
D
E
F
G

F


55
kWh/1000h



2019/2015



Gumax Lighting System



Model name:	Gumax Lighting System	Gumax B.V.
Model number:	COM-3400-x-y	Maarten de Vriesstraat 22
Technical data:	AC 220-240V~, 50/60Hz, max. 60W	5975 RW Sevenum
Frequency range:	2405 MHz to 2480 MHz	Netherlands
Max. RF output power:	6,28 dBm (4,25 mW) remote control 2,07 dBm (1,61 mW) light source	
IP rating:	IP20 plug IP44 connectors IP44 driver	

The cables are not intended for prolonged exposure to UV radiation.

Model list

Rating: 220-240V~, 50/60Hz, class I, t_a: 25°C, IP20 for plug, IP44 for other parts

COM-3400-x-y

x is the length of LED strip, x=2.5, 3.0, 3.5, 4.0;
2.5 means max. 2.5m, 3.0 means max. 3.0m, 3.5 means max. 3.5m, 4.0 means max. 4.0m.
y is the color of enclosure, y=51, 71;
51 means white (RAL9016), 71 means grey (RAL7016).

Tested and produced to comply with EU standards in accordance with the following applicable directives:
2014/35/EU | 2014/30/EU | 2014/53/EU | 2011/65/EU