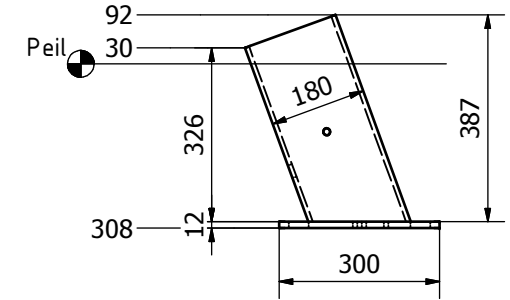
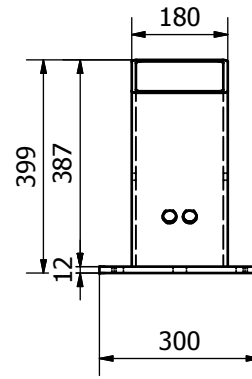
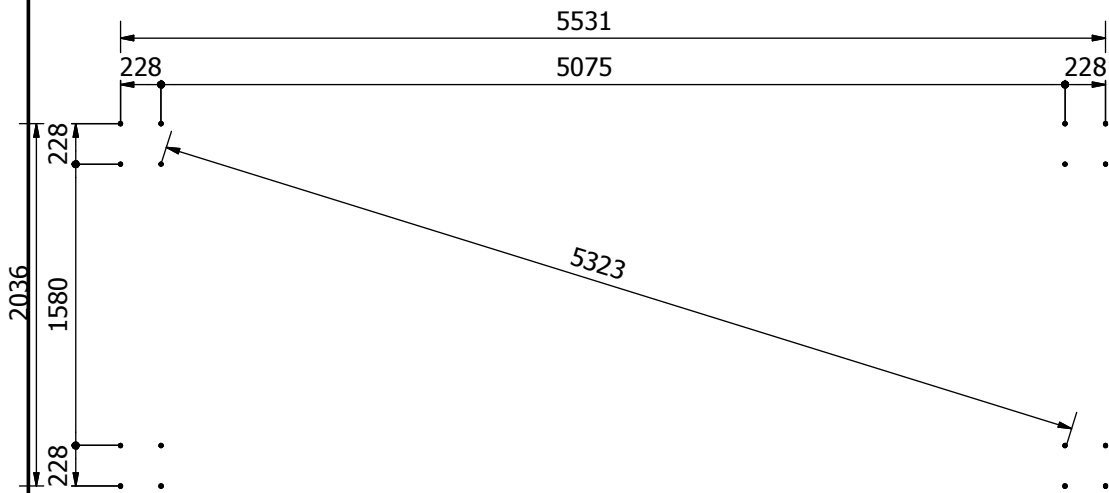
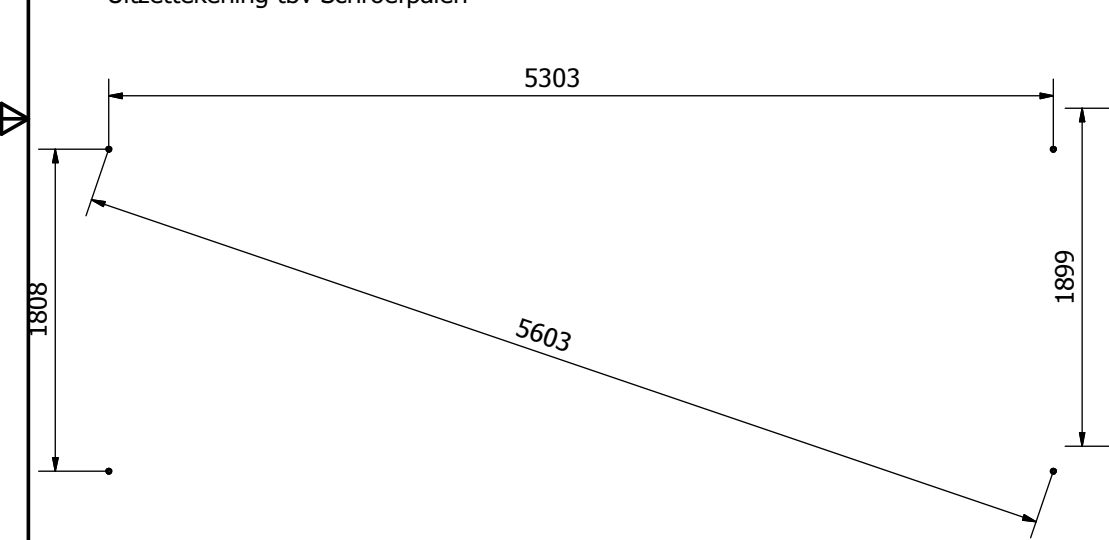


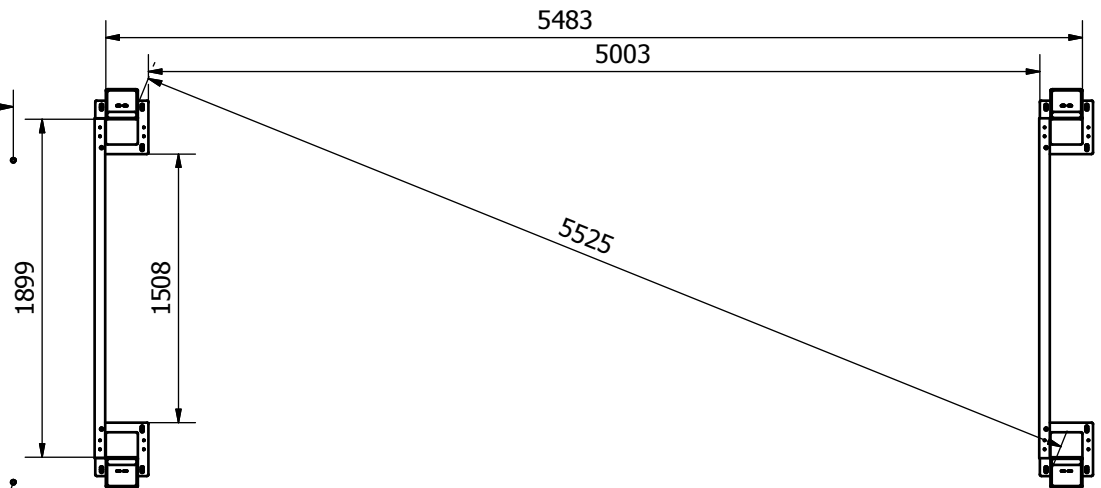
Uitzetkening beton fundering met draadeind




Uitzetkening tbv Schroefpalen



Stelvoet funderingsplan



Designed by LKN	Checked by	Approved by	Date	Date 28-11-2022	
		Funderingsplan Solardok 5483mm			Edition
					Sheet